



CRAFT BEARINGS

Quality Minded



GENERAL CATALOG

www.craft-bearings.com





CRAFT BEARINGS

Making Consistent Quality Bearings Affordable.
Why Pay More?





**METAL CHEMICAL
COMPOSITION**



**HARDNESS &
AXIAL CLEARANCE**



**DIMENSIONAL
MEASUREMENT**



RADIAL CLEARANCE



QUALITY CONTROL LABORATORY

We have the latest measurement and quality-assurance systems utilizing high-quality and precise measuring equipment with which we conduct all necessary tests to guarantee high quality of entire production



BEARING LIFE



**GREASE LEAKAGE
& DUSTPROOFING**



NOISE & VIBRATION



WAVING & ROUGHNESS



**CRAFT
BEARINGS**

Quality Minded

**TRUSTED IN 90+ COUNTRIES
GLOBALLY**



CONTINUOUS PARTICIPATION IN AUTOSPORT

CRAFT BEARINGS QUALITY CONTROL LABORATORY	6	313	57
		320	57
		322	58
DEEP GROOVE BALL BEARINGS SINGLE ROW	9	323	58
60	11	329	59
62	13		
63	14	CYLINDRICAL ROLLER BEARINGS	60
64	16	N2, N22	62
622	17	N3, N23	62
623	17	NF2, NF22	64
160	18	NF3, NF23	64
68	19	NF4	65
69	21	NU10	66
		NU2, NU22	66
SMALL AND MINIATURE BEARINGS	23	NU3, NU23	67
67 mini	24	NU4	68
68 mini	24	NJ10	69
69 mini	24	NJ2, NJ22	69
60 mini	25	NJ3, NJ23	70
62 mini	25	NJ4	71
63 mini	26	NUP2, NUP22	72
		NUP3, NUP23	73
ANGULAR CONTACT BALL BEARINGS	27	NUP4	73
70	28	NN	74
72	30		
73	31	NEEDLE ROLLER BEARINGS	76
74	33	NA49	77
		NA69	79
ANGULAR CONTACT BALL BEARINGS DOUBLE ROW	34	HK	80
30	36	K	82
32	36		
33	37	INSERT BEARINGS	87
38	38	SA	88
		SB	89
SELF-ALIGNING BALL BEARINGS DOUBLE ROW	40	UK	90
12	41	UC	91
13	41		
22	42	HOUSING UNITS	92
23	43	UCP	93
		UCPA	95
THRUST BALL BEARINGS	44	UCPH	97
511	45	UCF	98
512	45	UCFA	100
513	46	UCFB	101
514	47	UCFC	102
		UCFL	104
SPHERICAL ROLLER BEARINGS	48	UCT	106
222	50	UCC	108
223	52	UCHA	109
230	54		
231	54	THERMOPLASTIC HOUSING UNITS	111
232	54	OC CC	113
		BS	114
TAPERED ROLLER BEARINGS	55	SUCPPL	114
302	56	SUCFPL	115
303	56	SUCFLPL	116
		SUCFCPL	117

SUCPAPL	117
SUCFBPL	118
SUC	118
SSB	120

SPHERICAL PLAIN BEARINGS GE 122

GE	123
GEZ	124
GEG	126
GEEW	127
GEEM	128

SPHERICAL PLAIN BEARINGS S 129

S	130
SS	131
SSP	132
SSL	133

ROD ENDS 134

SI/SIL T/K	135
SI/SIL P/K	135
SA/SAL T/K	136
SA/SAL P/K	136

ADAPTER SLEEVES 137

H2	138
H3	138
H23	138
H30	139
H31	139

GOST BEARINGS 141

GOST	142
------------	-----

ROLLER CHAINS 145

A	146
B	147

CRAFT bearings Quality Control Laboratory

All CRAFT bearings production is guaranteed because it is tested twice to meet high standards: first in the factory and second time in the CRAFT bearings Quality Control Laboratory in Kaunas, Lithuania.

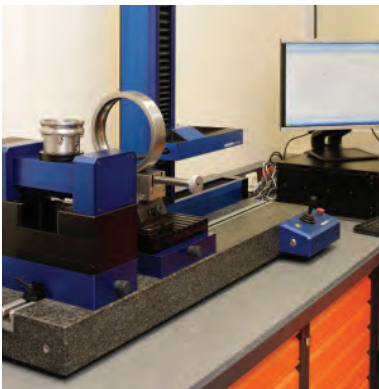
The CRAFT bearings Quality Control Laboratory was established in 2012 with the help of University of Technology.

We conduct all necessary tests with the latest measurement and quality-assurance systems utilizing high-quality and precise measuring equipment:

- Bearing Life (Longevity)
- Bearing Waviness
- Noise and Vibration
- Radial and Axial clearance
- Hardness
- Geometry
- Metal structure
- Roundness
- Roughness
- Grease leakage
- Dimension measurement
- Spectroscopic analysis



Roughness, Roundness and Form analysis



Characterization of surface topography is important in applications involving friction, lubrication and wear. Generally it has been found that friction increases with average roughness.

An accurate knowledge of the expected bearing life is essential to the proper selection of ball bearings. Bearings principally fail due to fatigue if they are properly lubricated, mounted and sealed against dirt entry. Fatigue strongly correlates with the surface roughness. One of the most important fundamental forms for engineering components is the circular cross-section. Circular forms arise in many applications, particularly in bearing surfaces. Roughness, roundness and bearing forms' testers are critically important elements in the development of precision-tolerance capabilities. For such measurements, we use the German-made OPTACOM surface measuring machine VC-10-EL.

Noise and vibration testing for bearings

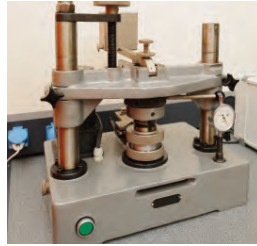
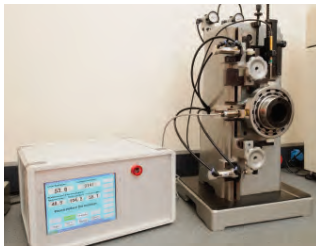
A noisy application might be caused by wavy bearing components, local defects in the rings and balls or by dirt particles in the bearing. While basic requirements for a bearing such as stiffness, load capacity, speed limit and service life play a critical role in applications, low noise and vibration are even more important.

All of these quality issues for bearings can be tested with the following bearing vibration equipment: SN-X, S9912-X. High-tech analyses and measurements such as frequency analysis and further advanced analyses pinpoint faults. Spectral masks help to optimize the bearing performance in the particular customer application. With some experience, the measurement results of these machines can also be used by experts to detect imperfect manufacturing steps. The introduction of a worldwide calibration system enables vibration equipment to operate according to international standards.



Hardness Testing for bearings

Hardness is the property of a material that enables it to resist plastic deformation, usually by penetration. Hardness is not an intrinsic material property dictated by precise definitions in terms of fundamental units of mass, length and time. A hardness property value is the result of a defined measurement procedure. The hardness test of bearing surfaces is conducted with the SHR-3000 tester using the Rockwell hardness test method. The Rockwell hardness test method consists of indenting the test material with a diamond cone or a hardened steel ball indenter. The indenter is forced into the test material under a preliminary minor load of usually 150 kg. When equilibrium has been reached, an indicating device which follows the movements of the indenter and responds to changes in depth of penetration of the indenter is set to a datum position.



Axial & Radial Internal Clearance testing for bearings

A bearing's internal clearance is defined as the total distance in which one bearing ring can be moved in relation to the other in the radial direction (radial internal clearance) or in the axial direction (axial internal clearance). Too little or too much internal clearance will significantly influence factors such as heat, vibration, noise and fatigue life. In extreme applications that produce high or low temperatures, this clearance needs to be considered in the overall design to compensate for thermal expansion and contraction of housings and shafts. Bearings having an internal clearance other than Normal are identified by the suffixes C1 to C5.

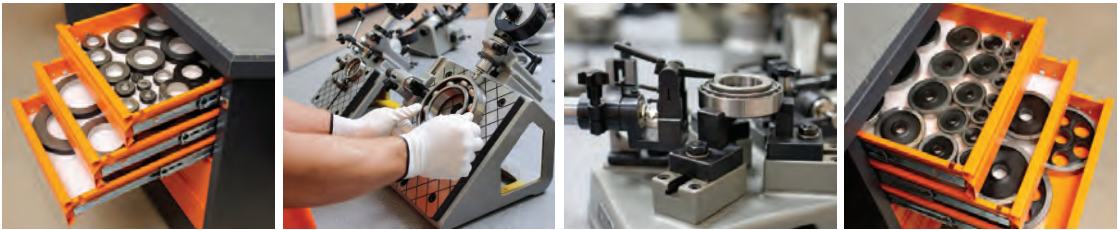
Materials testing for bearings rings and rolling elements

There are essentially two choices for the material used in ball bearings - chrome steel or stainless steel. Since the material plays a major part in the performance of a bearing in any given application, it is very important to use the correct material. Note that the specified material applies to the load-bearing components only - the rings and the balls. The retainer and the shields, if used, are usually made from a different material and are subject to separate specifications. Chrome steel is the standard material used for ball bearing applications where load capacity is the main consideration. The machinability of this steel is excellent, giving smooth, low-noise raceway finishes together with superior life.

A chrome steel material is recommended in applications where corrosion is not a factor. Stainless steel is the standard material for miniature and instrument ball recommended in applications where corrosion is not a factor. Stainless steel is the standard material for miniature and instrument ball bearings where corrosion resistance is more important than load capacity. These materials have evolved in response to different manufacturing and application needs. It is important to note that the actual material used is generally determined by the manufacturer and cannot be specified by the user.

The bearing's metal structure is easily determined using the analytical instrument SPECTROMAXx made in Germany. This instrument is able to monitor the carbon signal during the pre-spark phase and to recognize the existence and proportion of free graphite in the sample.

Dimension measuring for bearings parts



The Universal Length Measurer (ULM) is a kind of length measuring instrument that integrates fine mechanics, an optical system and electrical parts into an organic whole. This instrument is used for direct measurement and comparative measurement for dimensions of parts and components. It also offers additional equipment for carrying out various special measurements.

Bearing “tolerances”, or dimensional accuracy and running accuracy, are regulated by ISO standards. For dimensional accuracy, these standards prescribe the tolerances necessary when installing bearings on shafts or in housings. Running accuracy is defined as the allowable limits for bearing runout during operation. Dimensional accuracy constitutes the acceptable values for bore diameter, outer diameter, assembled bearing width and bore diameter uniformity in chamfer dimensions, allowable inner ring tapered bore deviation and shape error. Average bore diameter variation, outer diameter variation, average outer diameter unevenness as well as raceway width and height variation (for thrust bearings) are also included. Running accuracy constitutes the acceptable values for inner and outer ring radial runout and axial runout, inner ring side runout and outer ring outer diameter runout. All these dimensions of the bearing parts are measured with high-quality equipment.

Bearing life and grease leakage testing

Bearings are run to failure, using accelerated speeds and loads and continuous vibration monitoring. Bearing life testing confirms that any changes to components, materials or the manufacturing process will not negatively impact the bearing's characteristics.

Proper lubrication is a crucial factor in maximizing bearing service life. Contamination can have a great impact on the grease service life and the bearing service life itself. Using high-quality measuring and test equipment, CRAFT bearings conducts grease-leaking and bearing-life research.





Subject	Symbol	Description
Seal type	ZZ	Metal shields on both sides.
	2RS	Rubber seals on both sides.
	Z	Metal shield on one side.
	RS	Rubber seal on one side.
Radial internal clearance	C2	Less than normal.
	CN	Normal clearance. Is not indicated as a standard.
	C3	Greater clearance than normal.
	C4	Greater than C3.
	C5	Greater than C4.
Other technical modifications	NR	Groove with inserted snap ring in outer ring.
	N	Snap ring groove in the outer ring.
	SS	Stainless steel.
Cage type	M	Brass cage ball guided.
	MB	Brass cage, inner ring centered.
	MA	Brass cage, outer ring centered.
Speed ratings	V	Normal vibration level. Is not indicated as a standard.
	V1	Lower vibration level than normal.
	V2	Lower vibration level than V1.
	V3	Lower vibration level than V2.
	V4	Lower vibration level than V3.

DEEP GROOVE BALL BEARINGS SINGLE ROW

Series: 60.. 62.. 63.. 64.. 622.. 623.. 160.. 68.. 69..

Subject	Symbol	Description
Tolerances	P0	Normal tolerance level. Is not indicated as a standard.
	P6	Greater tolerance level than P0.
	P5	Greater tolerance level than P6.

Features

Single row deep groove ball bearings are most frequently used bearing type. They are versatile, self-retaining bearings with solid outer rings, inner rings and ball and cage assemblies. Due to their low frictional torque, they are suitable for high and even very high speeds and are robust in operation, little maintenance. Due to the raceway geometry and the balls used as rolling elements, deep groove ball bearings can support relatively high radial loads, as well as small axial loads.

Sealing and lubrication

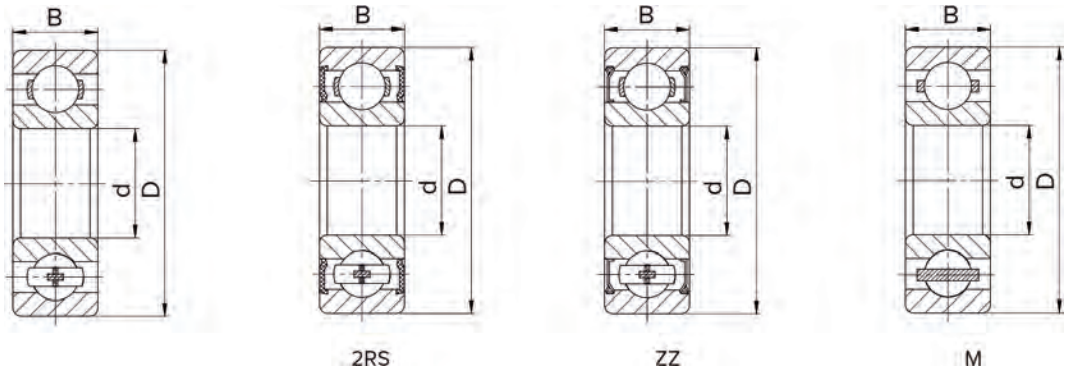
The most popular sizes of deep groove ball bearings are also produced in sealed versions. These bearings with Z and ZZ are greased using a high quality grease, lubricated for life and suitable for high speeds. Bearings with the suffix RS or 2RS have lip seals on one or both sides made from nitrile butadiene rubber. CRAFT bearings grease is a low noise bearing grease which is thickened by lithium 12-hydroxy stearic, it is made from deeply refined mineral oil with rust and oxidation inhibitors through special technical process. Applied temperature range -20 C - +120 C.

Radial internal clearance

Bearing internal clearance is defined as the total distance through which one bearing ring can be moved relative to the other in the radial direction (radial internal clearance). CRAFT bearings single row deep groove ball bearings are manufactured with normal radial internal clearance as standard (CN). Most of the bearings are also available with C3 radial internal clearance. Depending on working conditions you can choose bearing with different internal clearances, the values of radial internal clearance are in accordance to ISO 5753:1 and are valid for unmounted bearings under zero measuring load.

Cages

CRAFT bearings single row deep groove ball bearings are supplied with one of the following cages: steel cage or brass cage. Single row deep groove ball bearings without a cage suffix have a steel cage. Most frequently deep groove ball bearing with ball-guided solid brass cages are indicated by suffix M. These brass cage bearings can also be with inner ring centered (MB), or outer ring centered (MA).



ISO	GOST	Dimensions (mm)			Basic Load Rating (N)		Limiting speed (r/min)		Weight (kg)
		d	D	B	Dyn. C	Stat. C ₀	Lubrication		
							Grease	Oil	
6000	100	10	26	8	4620	1960	29000	34000	0.020
6000 ZZ	80100	10	26	8	4620	1960	29000	34000	0.020
6000 2RS	180100	10	26	8	4620	1960	19000	-	0.020
6001	101	12	28	8	5070	2360	26000	30000	0.021
6001 ZZ	80101	12	28	8	5070	2360	26000	30000	0.021
6001 2RS	180101	12	28	8	5070	2360	17000	-	0.021
6002	102	15	32	9	5590	2850	22000	26000	0.032
6002 ZZ	80102	15	32	9	5590	2850	22000	26000	0.032
6002 2RS	180102	15	32	9	5590	2850	16000	-	0.032
6003	103	17	35	10	6050	3250	20000	24000	0.039
6003 ZZ	80103	17	35	10	6050	3250	20000	24000	0.039
6003 2RS	180103	17	35	10	6050	3250	12000	-	0.039
6004	104	20	42	12	9360	5000	18000	21000	0.070
6004 ZZ	80104	20	42	12	9360	5000	18000	21000	0.070
6004 2RS	180104	20	42	12	9360	5000	10000	-	0.070
6005	105	25	47	12	11200	6550	15000	18000	0.082
6005 ZZ	80105	25	47	12	11200	6550	15000	18000	0.082
6005 2RS	180105	25	47	12	11200	6550	9000	-	0.082
6006	106	30	55	13	13300	8300	13000	15000	0.124
6006 ZZ	80106	30	55	13	13300	8300	13000	15000	0.124
6006 2RS	180106	30	55	13	13300	8300	7500	-	0.124
6007	107	35	62	14	15900	10200	12000	14000	0.161
6007 ZZ	80107	35	62	14	15900	10200	12000	14000	0.161
6007 2RS	180107	35	62	14	15900	10200	6500	-	0.161
6008	108	40	68	15	16800	11600	10000	12000	0.197
6008 ZZ	80108	40	68	15	16800	11600	10000	12000	0.197
6008 2RS	180108	40	68	15	16800	11600	5800	-	0.197
6009	109	45	75	16	20800	14600	9200	11000	0.254
6009 ZZ	80109	45	75	16	20800	14600	9200	11000	0.254
6009 2RS	180109	45	75	16	20800	14600	5300	-	0.254
6010	110	50	80	16	21600	16000	8400	9800	0.279
6010 ZZ	80110	50	80	16	21600	16000	8400	9800	0.279
6010 2RS	180110	50	80	16	21600	16000	4800	-	0.279
6011	111	55	90	18	28100	21200	7700	9000	0.405
6011 ZZ	80111	55	90	18	28100	21200	7700	9000	0.405
6011 2RS	180111	55	90	18	28100	21200	4300	-	0.405
6012	112	60	95	18	29600	23200	7000	8300	0.428
6012 ZZ	80112	60	95	18	29600	23200	7000	8300	0.428
6012 2RS	180112	60	95	18	29600	23200	4000	-	0.428
6013	113	65	100	18	30700	25000	6500	7700	0.458
6013 ZZ	80113	65	100	18	30700	25000	6500	7700	0.458
6013 2RS	180113	65	100	18	30700	25000	3700	-	0.458
6014	114	70	110	20	37700	31000	6100	7100	0.635

ISO	GOST	Dimensions (mm)			Basic Load Rating (N)		Limiting speed (r/min)		Weight (kg)
							Lubrication		
		d	D	B	Dyn. C	Stat. C ₀	Grease	Oil	
6014 ZZ	80114	70	110	20	37700	31000	6100	7100	0.635
6014 2RS	180114	70	110	20	37700	31000	3500	-	0.635
6015	115	75	115	20	39700	33500	5700	6700	0.673
6015 ZZ	80115	75	115	20	39700	33500	5700	6700	0.673
6015 2RS	180115	75	115	20	39700	33500	3300	-	0.673
6016	116	80	125	22	47500	40000	5300	6200	0.877
6016 ZZ	80116	80	125	22	47500	40000	5300	6200	0.877
6016 2RS	180116	80	125	22	47500	40000	3100	-	0.877
6017	117	85	130	22	49400	43000	5000	5900	0.932
6017 ZZ	80117	85	130	22	49400	43000	5000	5900	0.932
6017 2RS	180117	85	130	22	49400	43000	2900	-	0.932
6018	118	90	140	24	58500	50000	4700	5600	1.190
6018 ZZ	80118	90	140	24	58500	50000	4700	5600	1.190
6018 2RS	180118	90	140	24	58500	50000	2700	-	1.190
6019	119	95	145	24	60500	54000	4500	5300	1.247
6019 ZZ	80119	95	145	24	60500	54000	4500	5300	1.247
6019 2RS	180119	95	145	24	60500	54000	2500	-	1.247
6020	120	100	150	24	60500	54000	4200	5000	1.340
6020 ZZ	80120	100	150	24	60500	54000	4200	5000	1.340
6020 2RS	180120	100	150	24	60500	54000	2400	-	1.340
6021	121	105	160	26	72800	65500	4000	4700	1.690
6021 ZZ	80121	105	160	26	72800	65500	4000	4700	1.690
6021 2RS	180121	105	160	26	72800	65500	2300	-	1.690
6022	122	110	170	28	81900	73500	3800	4500	2.023
6022 ZZ	80122	110	170	28	81900	73500	3800	4500	2.023
6022 2RS	180122	110	170	28	81900	73500	2200	-	2.023
6024	124	120	180	28	85200	80000	3200	3800	2.213
6024 ZZ	80124	120	180	28	85200	80000	3200	3800	2.213
6024 2RS	180124	120	180	28	85200	80000	2100	-	2.213
6026	126	130	200	33	104000	100000	3200	3800	3.270
6026 ZZ	80126	130	200	33	104000	100000	3200	3800	3.270
6026 2RS	180126	130	200	33	104000	100000	1900	-	3.270
6028	128	140	210	33	110000	109000	3000	3500	3.547
6028 ZZ	80128	140	210	33	110000	109000	3000	3500	3.547
6028 2RS	180128	140	210	33	110000	109000	1800	-	3.547
6030	130	150	225	35	131000	124000	2800	3200	4.880
6030 ZZ	80130	150	225	35	131000	124000	2800	3200	4.880
6030 2RS	180130	150	225	35	131000	124000	1600	-	4.880
6032	132	160	240	38	136000	135000	2600	3000	6.073
6032 ZZ	80132	160	240	38	136000	135000	2600	3000	6.073
6032 2RS	180132	160	240	38	136000	135000	1500	-	6.073
6034	134	170	260	42	168000	173000	2400	2800	7.175
6034 ZZ	80134	170	260	42	168000	173000	2400	2800	7.175
6036	136	180	280	46	180000	184000	2300	2700	10.56
6036 ZZ	80136	180	280	46	180000	184000	2300	2700	10.56
6038	138	190	290	46	188000	200000	2100	2500	11.07
6038 ZZ	80138	190	290	46	188000	200000	2100	2500	11.07
6040	140	200	310	51	201000	222000	2000	2400	14.10
6040 ZZ	80140	200	310	51	201000	222000	2000	2400	14.10
6044	144	220	340	56	247000	290000	1800	2200	18.50
6048	148	240	360	56	255000	315000	1700	2000	20.00
6052	152	260	400	65	291000	375000	1500	1800	28.50
6056	156	280	420	65	325000	420000	1400	1600	31.00
6060	160	300	460	74	355000	480000	1300	1500	43.50
6064	164	320	480	74	371000	540000	1200	1400	46.00
6068	168	340	520	82	423000	640000	1100	1300	62.00

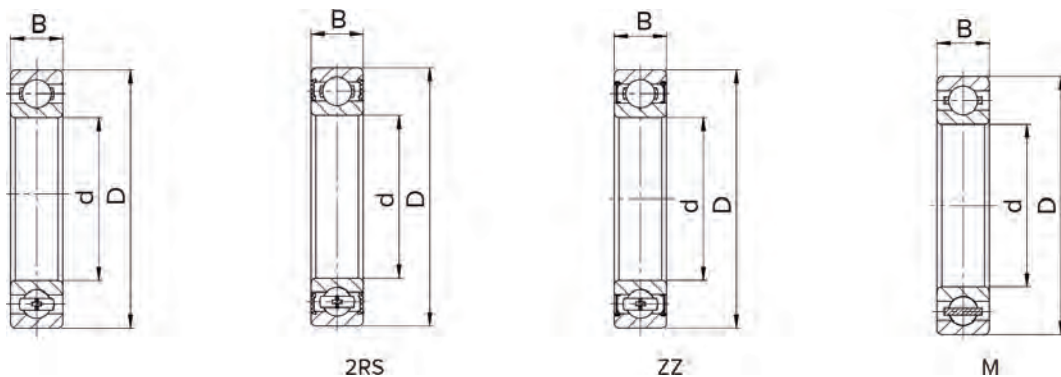
ISO	GOST	Dimensions (mm)			Basic Load Rating (N)		Limiting speed (r/min)		Weight (kg)
		d	D	B	Dyn. C	Stat. C ₀	Lubrication		
							Grease	Oil	
6072	172	360	540	82	462000	735000	1100	1200	64.50
6076	176	380	560	82	470000	750000	990	1200	67.50
6080	180	400	600	90	520000	865000	930	1100	87.50
6084	184	420	620	90	530000	895000	880	1000	91.00
6200	200	10	30	9	5070	2360	25000	30000	0.031
6200 ZZ	80200	10	30	9	5070	2360	25000	30000	0.031
6200 2RS	180200	10	30	9	5070	2360	17000	-	0.031
6201	201	12	32	10	6890	3100	22000	26000	0.038
6201 ZZ	80201	12	32	10	6890	3100	22000	26000	0.038
6201 2RS	180201	12	32	10	6890	3100	15000	-	0.038
6202	202	15	35	11	7800	3750	19000	23000	0.044
6202 ZZ	80202	15	35	11	7800	3750	19000	23000	0.044
6202 2RS	180202	15	35	11	7800	3750	13000	-	0.044
6203	203	17	40	12	9560	4750	18000	21000	0.066
6203 ZZ	80203	17	40	12	9560	4750	18000	21000	0.066
6203 2RS	180203	17	40	12	9560	4750	12000	-	0.066
6204	204	20	47	14	12700	6550	16000	18000	0.109
6204 ZZ	80204	20	47	14	12700	6550	16000	18000	0.109
6204 2RS	180204	20	47	14	12700	6550	10000	-	0.109
6205	205	25	52	15	14000	7800	13000	15000	0.133
6205 ZZ	80205	25	52	15	14000	7800	13000	15000	0.133
6205 2RS	180205	25	52	15	14000	7800	8500	-	0.133
6206	206	30	62	16	19500	11200	11000	13000	0.200
6206 ZZ	80206	30	62	16	19500	11200	11000	13000	0.200
6206 2RS	180206	30	62	16	19500	11200	7500	-	0.200
6207	207	35	72	17	25500	15300	9800	11000	0.299
6207 ZZ	80207	35	72	17	25500	15300	9800	11000	0.299
6207 2RS	180207	35	72	17	25500	15300	6300	-	0.299
6208	208	40	80	18	30700	19000	8700	10000	0.379
6208 ZZ	80208	40	80	18	30700	19000	8700	10000	0.379
6208 2RS	180208	40	80	18	30700	19000	5600	-	0.379
6209	209	45	85	19	33200	21600	7800	9200	0.430
6209 ZZ	80209	45	85	19	33200	21600	7800	9200	0.430
6209 2RS	180209	45	85	19	33200	21600	5000	-	0.430
6210	210	50	90	20	35100	23200	7100	8300	0.475
6210 ZZ	80210	50	90	20	35100	23200	7100	8300	0.475
6210 2RS	180210	50	90	20	35100	23200	4800	-	0.475
6211	211	55	100	21	43600	29000	6400	7600	0.625
6211 ZZ	80211	55	100	21	43600	29000	6400	7600	0.625
6211 2RS	180211	55	100	21	43600	29000	4300	-	0.625
6212	212	60	110	22	47500	32500	6000	7000	0.797
6212 ZZ	80212	60	110	22	47500	32500	6000	7000	0.797
6212 2RS	180212	60	110	22	47500	32500	3700	-	0.797
6213	213	65	120	23	55900	40500	5500	6500	1.017
6213 ZZ	80213	65	120	23	55900	40500	5500	6500	1.017
6213 2RS	180213	65	120	23	55900	40500	3500	-	1.017
6214	214	70	125	24	60500	45000	5100	6000	1.110
6214 ZZ	80214	70	125	24	60500	45000	5100	6000	1.110
6214 2RS	180214	70	125	24	60500	45000	3300	-	1.110
6215	215	75	130	25	66300	49000	4800	5600	1.210
6215 ZZ	80215	75	130	25	66300	49000	4800	5600	1.210
6215 2RS	180215	75	130	25	66300	49000	3100	-	1.210
6216	216	80	140	26	70200	55000	4500	5300	1.460
6216 ZZ	80216	80	140	26	70200	55000	4500	5300	1.460
6216 2RS	180216	80	140	26	70200	55000	2900	-	1.460
6217	217	85	150	28	83200	64000	4200	5000	1.847
6217 ZZ	80217	85	150	28	83200	64000	4200	5000	1.847
6217 2RS	180217	85	150	28	83200	64000	2700	-	1.847
6218	218	90	160	30	95600	73500	4000	4700	2.223

ISO	GOST	Dimensions (mm)			Basic Load Rating (N)		Limiting speed (r/min)		Weight (kg)
		d	D	B	Dyn. C	Stat. C ₀	Lubrication		
							Grease	Oil	
6218 ZZ	80218	90	160	30	95600	73500	4000	4700	2.223
6218 2RS	180218	90	160	30	95600	73500	2600	-	2.223
6219	219	95	170	32	108000	81500	3700	4400	2.713
6219 ZZ	80219	95	170	32	108000	81500	3700	4400	2.713
6219 2RS	180219	95	170	32	108000	81500	2400	-	2.713
6220	220	100	180	34	124000	93000	3500	4200	3.321
6220 ZZ	80220	100	180	34	124000	93000	3500	4200	3.321
6220 2RS	180220	100	180	34	124000	93000	2300	-	3.321
6221	221	105	190	36	133000	104000	3400	4000	3.717
6221 ZZ	80221	105	190	36	133000	104000	3400	4000	3.717
6221 2RS	180221	105	190	36	133000	105000	2200	-	3.717
6222	222	110	200	38	143000	118000	3200	3800	4.340
6222 ZZ	80222	110	200	38	143000	118000	3200	3800	4.340
6222 2RS	180222	110	200	38	143000	118000	2000	-	4.340
6224	224	120	215	40	148000	131000	2900	3400	5.100
6224 ZZ	80224	120	215	40	148000	131000	2900	3400	5.100
6224 2RS	180224	120	215	40	148000	131000	1900	-	5.100
6226	226	130	230	40	156000	146000	2700	3100	5.615
6226 ZZ	80226	130	230	40	156000	146000	2700	3100	5.615
6228	228	140	250	42	165000	150000	2500	2900	7.485
6228 ZZ	80228	140	250	42	165000	150000	2500	2900	7.485
6230	230	150	270	45	174000	166000	2300	2700	9.475
6230 ZZ	80230	150	270	45	174000	166000	2300	2700	9.475
6232	232	160	290	48	186000	186000	2100	2500	14.590
6232 ZZ	80232	160	290	48	186000	186000	2100	2500	14.590
6234	234	170	310	52	212000	224000	2000	2400	17.570
6234 ZZ	80234	170	310	52	212000	224000	2000	2400	17.570
6236	236	180	320	52	229000	240000	1900	2200	18.600
6236 ZZ	80236	180	320	52	229000	240000	1900	2200	18.600
6238	238	190	340	55	255000	280000	1800	2100	22.800
6240	240	200	360	58	270000	310000	1700	2000	28.000
6244	244	220	400	65	296000	365000	1500	1800	32.40
6248	248	240	440	72	340000	431000	1300	1600	51.00
6252	252	260	480	80	390000	530000	1100	1400	65.50
6256	256	280	500	80	423000	600000	1100	1400	71.00
6260	260	300	540	85	441000	663000	1000	1350	89.50
6264	264	320	580	92	489000	744000	950	1200	113.00
6268	268	340	620	92	511000	817000	900	1100	131.00
6272	272	360	650	95	557000	904000	850	1000	144.00
6276	276	380	680	95	584000	990000	800	900	162.00
6280	280	400	720	103	628000	1080000	700	800	197.00
6300	300	10	35	11	8060	3400	23000	27000	0.054
6300 ZZ	80300	10	35	11	8060	3400	23000	27000	0.054
6300 2RS	180300	10	35	11	8060	3400	15000	-	0.054
6301	301	12	37	12	9750	4150	20000	24000	0.063
6301 ZZ	80301	12	37	12	9750	4150	20000	24000	0.063
6301 2RS	180301	12	37	12	9750	4150	14000	-	0.063
6302	302	15	42	13	11400	5400	17000	21000	0.087
6302 ZZ	80302	15	42	13	11400	5400	17000	21000	0.087
6302 2RS	180302	15	42	13	11400	5400	12000	-	0.087
6303	303	17	47	14	13500	6550	16000	19000	0.117
6303 ZZ	80303	17	47	14	13500	6550	16000	19000	0.117
6303 2RS	180303	17	47	14	13500	6550	11000	-	0.117
6304	304	20	52	15	15900	7800	14000	17000	0.153
6304 ZZ	80304	20	52	15	15900	7800	14000	17000	0.153
6304 2RS	180304	20	52	15	15900	7800	9500	-	0.153
6305	305	25	62	17	22500	11600	12000	14000	0.238
6305 ZZ	80305	25	62	17	22500	11600	12000	14000	0.238
6305 2RS	180305	25	62	17	22500	11600	7500	-	0.238

ISO	GOST	Dimensions (mm)			Basic Load Rating (N)		Limiting speed (r/min)		Weight (kg)
		d	D	B	Dyn. C	Stat. C ₀	Lubrication		
							Grease	Oil	
6306	306	30	72	19	28100	16000	10000	12000	0.360
6306 ZZ	80306	30	72	19	28100	16000	10000	12000	0.360
6306 2RS	180306	30	72	19	28100	16000	6300	-	0.360
6307	307	35	80	21	33200	19000	8800	10000	0.467
6307 ZZ	80307	35	80	21	33200	19000	8800	10000	0.467
6307 2RS	180307	35	80	21	33200	19000	6000	-	0.467
6308	308	40	90	23	41000	24000	7800	9200	0.640
6308 ZZ	80308	40	90	23	41000	24000	7800	9200	0.640
6308 2RS	180308	40	90	23	41000	24000	5000	-	0.640
6309	309	45	100	25	52700	31500	7000	8200	0.843
6309 ZZ	80309	45	100	25	52700	31500	7000	8200	0.843
6309 2RS	180309	45	100	25	52700	31500	4500	-	0.843
6310	310	50	110	27	61800	38000	6400	7500	1.097
6310 ZZ	80310	50	110	27	61800	38000	6400	7500	1.097
6310 2RS	180310	50	110	27	61800	38000	4300	-	1.097
6311	311	55	120	29	71500	45000	5800	6800	1.377
6311 ZZ	80311	55	120	29	71500	45000	5800	6800	1.377
6311 2RS	180311	55	120	29	71500	45000	3800	-	1.377
6312	312	60	130	31	81900	52000	5400	6300	1.733
6312 ZZ	80312	60	130	31	81900	52000	5400	6300	1.733
6312 2RS	180312	60	130	31	81900	52000	3400	-	1.733
6313	313	65	140	33	92300	60000	4900	5800	2.153
6313 ZZ	80313	65	140	33	92300	60000	4900	5800	2.153
6313 2RS	180313	65	140	33	92300	60000	3200	-	2.153
6314	314	70	150	35	104000	68000	4600	5400	2.560
6314 ZZ	80314	70	150	35	104000	68000	4600	5400	2.560
6314 2RS	180314	70	150	35	104000	68000	3000	-	2.560
6315	315	75	160	37	114400	76500	4300	5000	3.120
6315 ZZ	80315	75	160	37	114400	76500	4300	5000	3.120
6315 2RS	180315	75	160	37	114400	76500	2800	-	3.120
6316	316	80	170	39	124000	86500	4000	4700	3.680
6316 ZZ	80316	80	170	39	124000	86500	4000	4700	3.680
6316 2RS	180316	80	170	39	124000	86500	2700	-	3.680
6317	317	85	180	41	133000	96500	3800	4500	4.303
6317 ZZ	80317	85	180	41	133000	96500	3800	4500	4.303
6317 2RS	180317	85	180	41	133000	96500	2500	-	4.303
6318	318	90	190	43	143000	108000	3600	4200	4.967
6318 ZZ	80318	90	190	43	143000	108000	3600	4200	4.967
6318 2RS	180318	90	190	43	143000	108000	2400	-	4.967
6319	319	95	200	45	153000	118000	3300	3900	5.710
6319 ZZ	80319	95	200	45	153000	118000	3300	3900	5.710
6319 2RS	180319	95	200	45	153000	118000	2200	-	5.710
6320	320	100	215	47	174000	140000	3200	3700	7.633
6320 ZZ	80320	100	215	47	174000	140000	3200	3700	7.633
6320 2RS	180320	100	215	47	174000	140000	2100	-	7.633
6321	321	105	225	49	182000	153000	3000	3600	8.677
6321 ZZ	80321	105	225	49	182000	153000	3000	3600	8.677
6321 2RS	180321	105	225	49	182000	153000	1900	-	8.677
6322	322	110	240	50	203000	180000	2900	3400	9.603
6322 ZZ	80322	110	240	50	203000	180000	2900	3400	9.603
6322 2RS	180322	110	240	50	203000	180000	1600	-	9.603
6324	324	120	260	55	208000	186000	2600	3100	12.750
6324 ZZ	80324	120	260	55	208000	186000	2600	3100	12.750
6326	326	130	280	58	230000	216000	2400	2800	18.400
6326 ZZ	80326	130	280	58	230000	216000	2400	2800	18.400
6328	328	140	300	62	251000	245000	2200	2600	22.000
6328 ZZ	80328	140	300	62	251000	245000	2200	2600	22.000
6330	330	150	320	65	276000	285000	2000	2400	23.000
6332	332	160	340	68	285000	300000	1900	2300	29.000

ISO	GOST	Dimensions (mm)			Basic Load Rating (N)		Limiting speed (r/min)		Weight (kg)
		d	D	B	Dyn. C	Stat. C ₀	Lubrication		
							Grease	Oil	
6334	334	170	360	72	312000	340000	1800	2100	34.500
6336	336	180	380	75	351000	405000	1700	2000	42.500
6338	338	190	400	78	371000	430000	1600	1900	49.000
6340	340	200	420	80	377000	465000	1500	1800	55.500
6344	344	220	460	88	410000	520000	1400	1600	60.800
6348	348	240	500	95	470000	624000	1300	1500	93.300
6352	352	260	540	102	531000	741000	1200	1400	116.000
6356	356	280	580	108	568000	845000	1100	1300	145.000
6360	360	300	620	109	593000	886000	1000	1150	169.000
6364	364	320	670	112	634000	1010000	900	1050	207.000
6368	368	340	710	118	704000	1160000	800	950	238.000
6403	403	17	62	17	22900	10800	13000	15000	0.270
6403 ZZ	80403	17	62	17	22900	10800	13000	15000	0.270
6403 2RS	180403	17	62	17	22900	10800	8000	-	0.270
6404	404	20	72	19	31000	15200	9500	12000	0.400
6404 ZZ	80404	20	72	19	31000	15200	9500	12000	0.400
6404 2RS	180404	20	72	19	31000	15200	6300	-	0.400
6405	405	25	80	21	35800	19300	8500	10000	0.530
6405 ZZ	80405	25	80	21	35800	19300	8500	10000	0.530
6405 2RS	180405	25	80	21	35800	19300	5600	-	0.530
6406	406	30	90	23	43600	23600	7500	9000	0.740
6406 ZZ	80406	30	90	23	43600	23600	7500	9000	0.740
6406 2RS	180406	30	90	23	43600	23600	5000	-	0.740
6407	407	35	100	25	55300	31000	6700	8000	0.950
6407 ZZ	80407	35	100	25	55300	31000	6700	8000	0.950
6407 2RS	180407	35	100	25	55300	31000	4500	-	0.950
6408	408	40	110	27	63700	36500	6000	7000	1.250
6408 ZZ	80408	40	110	27	63700	36500	6000	7000	1.250
6408 2RS	180408	40	110	27	63700	36500	4000	-	1.250
6409	409	45	120	29	76100	45000	5300	6300	1.550
6409 ZZ	80409	45	120	29	76100	45000	5300	6300	1.550
6409 2RS	180409	45	120	29	76100	45000	3600	-	1.550
6410	410	50	130	31	87100	52000	5000	6000	1.900
6410 ZZ	80410	50	130	31	87100	52000	5000	6000	1.900
6410 2RS	180410	50	130	31	87100	52000	3400	-	1.900
6411	411	55	140	33	99500	62000	4500	5300	2.300
6411 ZZ	80411	55	140	33	99500	62000	4500	5300	2.300
6411 2RS	180411	55	140	33	99500	62000	3000	-	2.300
6412	412	60	150	35	108000	69500	4300	5000	2.750
6412 ZZ	80412	60	150	35	108000	69500	4300	5000	2.750
6412 2RS	180412	60	150	35	108000	69500	2800	-	2.750
6413	413	65	160	37	119000	78000	4000	4800	3.300
6413 ZZ	80413	65	160	37	119000	78000	4000	4800	3.300
6413 2RS	180413	65	160	37	119000	78000	2600	-	3.300
6414	414	70	180	42	143000	10400	3800	4500	4.850
6414 ZZ	80414	70	180	42	143000	10400	3800	4500	4.850
6414 2RS	180414	70	180	42	143000	10400	2500	-	4.850
6415	415	75	190	45	153000	114000	3700	4400	6.800
6415 ZZ	80415	75	190	45	153000	114000	3700	4400	6.800
6415 2RS	180415	75	190	45	153000	114000	2300	-	6.800
6416	416	80	200	48	162000	125000	3600	4200	6.422
6416 ZZ	80416	80	200	48	162000	125000	3600	4200	6.422
6416 2RS	180416	80	200	48	162000	125000	2100	-	6.422
6417	417	85	210	52	174000	137000	3400	4000	9.500
6417 ZZ	80417	85	210	52	174000	137000	3400	4000	9.500
6417 2RS	180417	85	210	52	174000	137000	1800	-	9.500
6418	418	90	225	54	186000	150000	3200	3800	9.560
6418 ZZ	80418	90	225	54	186000	150000	3200	3800	9.560
6418 2RS	180418	90	225	54	186000	150000	1400	-	9.560

ISO	GOST	Dimensions (mm)			Basic Load Rating (N)		Limiting speed (r/min)		Weight (kg)
		d	D	B	Dyn. C	Stat. C ₀	Lubrication		
							Grease	Oil	
6419	419	95	240	55	188000	153000	3000	3500	11.000
6419 ZZ	80419	95	240	55	188000	153000	3000	3500	11.000
6419 2RS	180419	95	240	55	188000	153000	1100	-	11.000
6420	420	100	250	58	206000	175000	2900	3400	12.900
6420 ZZ	80420	100	250	58	206000	175000	2900	3400	12.900
6420 2RS	180420	100	250	58	206000	175000	900	-	12.900
6421	421	105	260	60	222000	179000	2700	3200	16.800
6422	422	110	280	65	247000	227000	2600	3000	21.300
6424	424	120	310	72	291000	287000	2300	2800	29.000
6426	426	130	340	78	300000	298000	2200	2500	38.000
62200 2RS	180500	10	30	14	5100	2400	17000	-	0.045
62201 2RS	180501	12	32	14	6900	3100	15000	-	0.048
62202 2RS	180502	15	35	14	7800	3750	13000	-	0.054
62203 2RS	180503	17	40	16	9500	4750	12000	-	0.083
62204 2RS	180504	20	47	18	12700	6550	10000	-	0.130
62205 2RS	180505	25	52	18	14000	7800	8500	-	0.150
62206 2RS	180506	30	62	20	16500	11200	7500	-	0.243
62207 2RS	180507	35	72	23	25500	15300	6300	-	0.388
62208 2RS	180508	40	80	23	30700	19000	5600	-	0.471
62209 2RS	180509	45	85	23	33200	21600	5000	-	0.523
62210 2RS	180510	50	90	23	35100	23200	4800	-	0.550
62211 2RS	180511	55	100	25	43600	29000	4300	-	0.700
62212 2RS	180512	60	110	28	47500	32500	4000	-	0.970
62213 2RS	180513	65	120	31	55900	40500	3600	-	1.250
62214 2RS	180514	70	125	31	60500	45000	3400	-	1.300
62300 2RS	180600	10	35	17	8000	3400	15000	-	0.060
62301 2RS	180601	12	37	17	9750	4150	14000	-	0.070
62302 2RS	180602	15	42	17	11400	5400	12000	-	0.110
62303 2RS	180603	17	47	19	13500	6550	11000	-	0.150
62304 2RS	180604	20	52	21	15900	7800	9500	-	0.207
62305 2RS	180605	25	62	24	22500	11600	7500	-	0.326
62306 2RS	180606	30	72	27	28100	16000	6300	-	0.493
62307 2RS	180607	35	80	31	33200	19000	6000	-	0.680
62308 2RS	180608	40	90	33	41000	24000	5000	-	0.890
62309 2RS	180609	45	100	36	52700	31500	4500	-	1.190
62310 2RS	180610	50	110	40	61800	38000	4300	-	1.500
62311 2RS	180611	55	120	43	71500	45000	3800	-	1.950
62312 2RS	180612	60	130	46	81900	52000	3400	-	2.500
62313 2RS	180613	65	140	48	92300	60000	3200	-	3.000
62314 2RS	180614	70	150	51	104000	68000	3000	-	3.550



ISO	GOST	Dimensions (mm)			Basic Load Rating (N)		Limiting speed (r/min)		Weight (kg)
		d	D	B	Dyn. C	Stat. C ₀	Lubrication		
							Grease	Oil	
16001	7000101	12	28	7	5100	2390	26000	30000	0.022
16001 ZZ	7000101 ZZ	12	28	7	5100	2390	26000	30000	0.022
16001 2RS	7000101 2RS	12	28	7	5100	2390	26000	-	0.022
16002	7000102	15	32	8	5590	2850	22000	26000	0.025
16002 ZZ	7000102 ZZ	15	32	8	5590	2850	22000	26000	0.025
16002 2RS	7000102 2RS	15	32	8	5590	2850	22000	-	0.025
16003	7000103	17	35	8	6050	3250	20000	24000	0.032
16003 ZZ	7000103 ZZ	17	35	8	6050	3250	20000	24000	0.032
16003 2RS	7000103 2RS	17	35	8	6050	3250	20000	-	0.032
16004	7000104	20	42	8	6890	4500	18000	21000	0.050
16004 ZZ	7000104 ZZ	20	42	8	6890	4500	18000	21000	0.050
16004 2RS	7000104 2RS	20	42	8	6890	4500	18000	-	0.050
16005	7000105	25	47	8	7610	4750	15000	18000	0.060
16005 ZZ	7000105 ZZ	25	47	8	7610	4750	15000	18000	0.060
16005 2RS	7000105 2RS	25	47	8	7610	4750	15000	-	0.060
16006	7000106	30	55	9	11200	7350	13000	15000	0.085
16006 ZZ	7000106 ZZ	30	55	9	11200	7350	13000	15000	0.085
16006 2RS	7000106 2RS	30	55	9	11200	7350	13000	-	0.085
16007	7000107	35	62	9	12400	8150	12000	14000	0.110
16007 ZZ	7000107 ZZ	35	62	9	12400	8150	12000	14000	0.110
16007 2RS	7000107 2RS	35	62	9	12400	8150	12000	-	0.110
16008	7000108	40	68	9	13300	9150	10000	12000	0.130
16008 ZZ	7000108 ZZ	40	68	9	13300	9150	10000	12000	0.130
16008 2RS	7000108 2RS	40	68	9	13300	9150	10000	-	0.130
16009	7000109	45	75	10	15600	10800	9200	11000	0.170
16009 ZZ	7000109 ZZ	45	75	10	15600	10800	9200	11000	0.170
16009 2RS	7000109 2RS	45	75	10	15600	10800	9200	-	0.170
16010	7000110	50	80	10	16300	11400	8400	9800	0.180
16010 ZZ	7000110 ZZ	50	80	10	16300	11400	8400	9800	0.180
16010 2RS	7000110 2RS	50	80	10	16300	11400	8400	-	0.180
16011	7000111	55	90	11	19500	14000	7700	9000	0.260
16011 ZZ	7000111 ZZ	55	90	11	19500	14000	7700	9000	0.260
16011 2RS	7000111 2RS	55	90	11	19500	14000	7700	-	0.260
16012	7000112	60	95	11	19900	15000	7000	8300	0.280
16012 ZZ	7000112 ZZ	60	95	11	19900	15000	7000	8300	0.280
16012 2RS	7000112 2RS	60	95	11	19900	15000	7000	-	0.280
16013	7000113	65	100	11	21200	16600	6500	7700	0.300
16013 ZZ	7000113 ZZ	65	100	11	21200	16600	6500	7700	0.300
16013 2RS	7000113 2RS	65	100	11	21200	16600	6500	-	0.300
16014	7000114	70	110	13	27800	25000	6000	7100	0.430
16014 ZZ	7000114 ZZ	70	110	13	27800	25000	6000	7100	0.430
16014 2RS	7000114 2RS	70	110	13	27800	25000	6000	-	0.430
16015	7000115	75	115	13	28600	27000	5600	6600	0.460

ISO	GOST	Dimensions (mm)			Basic Load Rating (N)		Limiting speed (r/min)		Weight (kg)
		d	D	B	Dyn. C	Stat. C ₀	Lubrication		
							Grease	Oil	
16015 ZZ	7000115 ZZ	75	115	13	28600	27000	5600	6600	0.460
16015 2RS	7000115 2RS	75	115	13	28600	27000	5600	-	0.460
16016	7000116	80	125	14	33200	31500	5300	6200	0.600
16016 ZZ	7000116 ZZ	80	125	14	33200	31500	5300	6200	0.600
16016 2RS	7000116 2RS	80	125	14	33200	31500	5300	-	0.600
16017	7000117	85	130	14	33800	33500	5000	5900	0.630
16017 ZZ	7000117 ZZ	85	130	14	33800	33500	5000	5900	0.630
16017 2RS	7000117 2RS	85	130	14	33800	33500	5000	-	0.630
16018	7000118	90	140	16	33500	33500	4700	5600	0.850
16018 ZZ	7000118 ZZ	90	140	16	33500	33500	4700	5600	0.850
16018 2RS	7000118 2RS	90	140	16	33500	33500	4700	-	0.850
16019	7000119	95	145	16	34500	35000	4500	5300	0.890
16019 ZZ	7000119 ZZ	95	145	16	34500	35000	4500	5300	0.890
16019 2RS	7000119 2RS	95	145	16	34500	33500	4500	-	0.890
16020	7000120	100	150	16	44200	44000	4200	5000	0.910
16020 ZZ	7000120 ZZ	100	150	16	35000	36500	4200	5000	0.910
16020 2RS	7000120 2RS	100	150	16	35000	36500	4200	-	0.910
16021	7000121	105	160	18	52000	51000	4000	4700	1.200
16022	7000122	110	170	19	57200	57000	3800	4500	1.450
16024	7000124	120	180	19	60500	64000	3500	4100	1.600
16026	7000126	130	200	22	79300	81500	3200	3800	2.350
16028	7000128	140	210	22	80600	86500	3000	3500	2.500
16030	7000130	150	225	24	92300	98000	2800	3200	3.150
16032	7000132	160	240	25	99500	108000	2600	3000	3.700
16034	7000134	170	260	28	119000	129000	2400	2800	5.000
16036	7000136	180	280	31	138000	146000	2300	2700	6.600
16038	7000138	190	290	31	148000	166000	2100	2500	7.900
16040	7000140	200	310	34	168000	190000	2000	2400	8.850
16044	7000144	220	340	37	174000	204000	1800	2200	11.500
16048	7000148	240	360	37	178000	217000	1700	2000	12.100
16052	7000152	260	400	44	227000	299000	1500	1800	18.500
16056	7000156	280	420	44	232000	315000	1400	1600	23.000
16060	7000160	300	460	50	292000	410000	1300	1500	32.500
16064	7000164	320	480	50	300000	440000	1200	1400	34.200
16068	7000168	340	520	57	340000	515000	1100	1300	47.100
16072	7000172	360	540	57	350000	550000	1100	1200	49.300
16076	7000176	380	560	57	377000	620000	950	1200	51.000
16080	7000180	400	600	63	358000	587000	890	1080	65.000
16084	7000184	420	620	63	367000	617000	810	1000	69.900
16088	7000188	440	650	67	407000	710000	730	920	81.700
16092	7000192	460	680	71	431000	767000	650	840	91.200
16096	7000196	480	700	71	444000	807000	570	760	98.500
6800	1000800	10	19	5	1380	585	32000	38000	0.005
6800 ZZ	1000800 ZZ	10	19	5	1380	585	32000	38000	0.005
6800 2RS	1000800 2RS	10	19	5	1380	585	20000	-	0.005
6801	1000801	12	21	5	1430	670	29000	35000	0.006
6801 ZZ	1000801 ZZ	12	21	5	1430	670	29000	35000	0.006
6801 2RS	1000801 2RS	12	21	5	1430	670	19000	-	0.006
6802	1000802	15	24	5	1560	800	26000	31000	0.007
6802 ZZ	1000802 ZZ	15	24	5	1560	800	26000	31000	0.007
6802 2RS	1000802 2RS	15	24	5	1560	800	17000	-	0.007
6803	1000803	17	26	5	1680	930	24000	28000	0.008
6803 ZZ	1000803 ZZ	17	26	5	1680	930	24000	28000	0.008
6803 2RS	1000803 2RS	17	26	5	1680	930	16000	-	0.008
6804	1000804	20	32	7	2700	1500	21000	25000	0.018
6804 ZZ	1000804 ZZ	20	32	7	2700	1500	21000	25000	0.018
6804 2RS	1000804 2RS	20	32	7	2700	1500	13000	-	0.018
6805	1000805	25	37	7	4360	2600	18000	21000	0.022
6805 ZZ	1000805 ZZ	25	37	7	4360	2600	18000	21000	0.022

ISO	GOST	Dimensions (mm)			Basic Load Rating (N)		Limiting speed (r/min)		Weight (kg)
							Lubrication		
		d	D	B	Dyn. C	Stat. C ₀	Grease	Oil	
6805 2RS	1000805 2RS	25	37	7	4360	2600	11000	-	0.022
6806	1000806	30	42	7	4490	2900	15000	18000	0.027
6806 ZZ	1000806 ZZ	30	42	7	4490	2900	15000	18000	0.027
6806 2RS	1000806 2RS	30	42	7	4490	2900	9500	-	0.027
6807	1000807	35	47	7	4750	3200	13000	16000	0.030
6807 ZZ	1000807 ZZ	35	47	7	4750	3200	13000	16000	0.030
6807 2RS	1000807 2RS	35	47	7	4750	3200	8000	-	0.030
6808	1000808	40	52	7	4940	3450	12000	14000	0.034
6808 ZZ	1000808 ZZ	40	52	7	4940	3450	12000	14000	0.034
6808 2RS	1000808 2RS	40	52	7	4940	3450	7500	-	0.034
6809	1000809	45	58	7	6050	4300	11000	12000	0.040
6809 ZZ	1000809 ZZ	45	58	7	6050	4300	11000	12000	0.040
6809 2RS	1000809 2RS	45	58	7	6050	4300	6700	-	0.040
6810	1000810	50	65	7	6240	4750	9600	11000	0.052
6810 ZZ	1000810 ZZ	50	65	7	6240	4750	9600	11000	0.052
6810 2RS	1000810 2RS	50	65	7	6240	4750	6000	-	0.052
6811	1000811	55	72	9	8320	6200	8700	10000	0.083
6811 ZZ	1000811 ZZ	55	72	9	8320	6200	8700	10000	0.083
6811 2RS	1000811 2RS	55	72	9	8320	6200	5300	-	0.083
6812	1000812	60	78	10	8710	6700	8000	9400	0.110
6812 ZZ	1000812 ZZ	60	78	10	8710	6700	8000	9400	0.110
6812 2RS	1000812 2RS	60	78	10	8710	6700	4800	-	0.110
6813	1000813	65	85	10	12000	11500	7400	8700	0.130
6813 ZZ	1000813 ZZ	65	85	10	12000	11500	7400	8700	0.130
6813 2RS	1000813 2RS	65	85	10	12000	11500	4500	-	0.130
6814	1000814	70	90	10	12100	11900	6900	8100	0.140
6814 ZZ	1000814 ZZ	70	90	10	12100	11900	6900	8100	0.140
6814 2RS	1000814 2RS	70	90	10	12100	11900	4300	-	0.140
6815	1000815	75	95	10	12500	10800	6400	7600	0.150
6815 ZZ	1000815 ZZ	75	95	10	12500	10800	6400	7600	0.150
6815 2RS	1000815 2RS	75	95	10	12500	10800	4000	-	0.150
6816	1000816	80	100	10	13300	12400	6000	7100	0.155
6816 ZZ	1000816 ZZ	80	100	10	13300	12400	6000	7100	0.155
6816 2RS	1000816 2RS	80	100	10	13300	12400	3600	-	0.155
6817	1000817	85	110	13	19500	16600	5700	6700	0.270
6817 ZZ	1000817 ZZ	85	110	13	19500	16600	5700	6700	0.270
6817 2RS	1000817 2RS	85	110	13	19500	16600	3400	-	0.270
6818	1000818	90	115	13	19900	17000	5400	6300	0.280
6818 ZZ	1000818 ZZ	90	115	13	19900	17000	5400	6300	0.280
6818 2RS	1000818 2RS	90	115	13	19900	17000	3200	-	0.280
6819	1000819	95	120	13	19900	17600	5000	5900	0.300
6819 ZZ	1000819 ZZ	95	120	13	19900	17600	5000	5900	0.300
6819 2RS	1000819 2RS	95	120	13	19900	17600	3000	-	0.300
6820	1000820	100	125	13	19900	18300	4800	5600	0.310
6820 ZZ	1000820 ZZ	100	125	13	19900	18300	4800	5600	0.310
6820 2RS	1000820 2RS	100	125	13	19900	18300	3000	-	0.310
6821	1000821	105	130	13	20800	19600	4600	5400	0.320
6821 ZZ	1000821 ZZ	105	130	13	20800	19600	4600	5400	0.320
6821 2RS	1000821 2RS	105	130	13	20800	19600	2800	-	0.320
6822	1000822	110	140	16	28100	30700	4300	5100	0.600
6822 ZZ	1000822 ZZ	110	140	16	28100	30700	4300	5100	0.600
6822 2RS	1000822 2RS	110	140	16	28100	30700	2600	-	0.600
6824	1000824	120	150	16	29000	33000	4000	4700	0.650
6824 ZZ	1000824 ZZ	120	150	16	29000	33000	4000	4700	0.650
6824 2RS	1000824 2RS	120	150	16	29000	33000	2400	-	0.650
6826	1000826	130	165	18	39000	43000	3700	4300	0.930
6826 ZZ	1000826 ZZ	130	165	18	39000	43000	3700	4300	0.930
6826 2RS	1000826 2RS	130	165	18	39000	43000	2200	-	0.930
6828	1000828	140	175	18	40500	46500	3400	4000	0.990

ISO	GOST	Dimensions (mm)			Basic Load Rating (N)		Limiting speed (r/min)		Weight (kg)
							Lubrication		
		d	D	B	Dyn. C	Stat. C ₀	Grease	Oil	
6828 ZZ	1000828 ZZ	140	175	18	40500	46500	3400	4000	0.990
6828 2RS	1000828 2RS	140	175	18	40500	46500	2000	-	0.990
6830	1000830	150	190	20	47500	54500	3100	3700	1.200
6830 ZZ	1000830 ZZ	150	190	20	47500	54500	3100	3700	1.200
6832	1000832	160	200	20	49400	64000	2900	3400	1.300
6832 ZZ	1000832 ZZ	160	200	20	49400	64000	2900	3400	1.300
6834	1000834	170	215	22	61800	78000	2700	3200	1.850
6834 ZZ	1000834 ZZ	170	215	22	61800	78000	2700	3200	1.850
6836	1000836	180	225	22	62400	81500	2600	3000	2.000
6836 ZZ	1000836 ZZ	180	225	22	62400	81500	2600	3000	2.000
6838	1000838	190	240	24	73000	88000	2400	2900	2.620
6838 ZZ	1000838 ZZ	190	240	24	73000	88000	2400	2900	2.620
6840	1000840	200	250	24	76100	102000	2300	2700	2.700
6844	1000844	220	270	24	78000	110000	2100	2400	3.000
6848	1000848	240	300	28	98500	127000	1900	2200	4.600
6852	1000852	260	320	28	110000	163000	1700	2000	4.800
6856	1000856	280	350	33	138000	200000	1600	1900	7.400
6860	1000860	300	380	38	162000	210000	1500	1700	10.500
6864	1000864	320	400	38	168000	228000	1400	1600	10.900
6868	1000868	340	420	38	170000	236000	1300	1500	11.500
6872	1000872	360	440	38	187000	258000	1200	1400	12.300
6876	1000876	380	480	46	231000	340000	1100	1300	19.700
6880	1000880	400	500	46	235000	350000	1100	1200	20.600
6884	1000884	420	520	46	260000	405000	1000	1200	21.600
6888	1000888	440	540	46	264000	420000	880	1000	22.500
6892	1000892	460	580	56	315000	515000	900	1100	34.800
6896	1000896	480	600	56	325000	600000	850	1000	36.500
6900	1000900	10	22	6	1950	750	30000	36000	0.010
6900 ZZ	1000900 ZZ	10	22	6	1950	750	30000	36000	0.010
6900 2RS	1000900 2RS	10	22	6	1950	750	19000	-	0.010
6901	1000901	12	24	6	2250	980	27000	32000	0.011
6901 ZZ	1000901 ZZ	12	24	6	2250	980	27000	32000	0.011
6901 2RS	1000901 2RS	12	24	6	2250	980	18000	-	0.011
6902	1000902	15	28	7	4030	2040	24000	28000	0.016
6902 ZZ	1000902 ZZ	15	28	7	4030	2040	24000	28000	0.016
6902 2RS	1000902 2RS	15	28	7	4030	2040	16000	-	0.016
6903	1000903	17	30	7	4360	2320	22000	26000	0.018
6903 ZZ	1000903 ZZ	17	30	7	4360	2320	22000	26000	0.018
6903 2RS	1000903 2RS	17	30	7	4360	2320	14000	-	0.018
6904	1000904	20	37	9	6370	3650	19000	23000	0.038
6904 ZZ	1000904 ZZ	20	37	9	6370	3650	19000	23000	0.038
6904 2RS	1000904 2RS	20	37	9	6370	3650	12000	-	0.038
6905	1000905	25	42	9	6630	4000	16000	19000	0.045
6905 ZZ	1000905 ZZ	25	42	9	6630	4000	16000	19000	0.045
6905 2RS	1000905 2RS	25	42	9	6630	4000	10000	-	0.045
6906	1000906	30	47	9	7280	4550	14000	17000	0.051
6906 ZZ	1000906 ZZ	30	47	9	7280	4550	14000	17000	0.051
6906 2RS	1000906 2RS	30	47	9	7280	4550	8500	-	0.051
6907	1000907	35	55	10	9560	6200	12000	15000	0.080
6907 ZZ	1000907 ZZ	35	55	10	9560	6200	12000	15000	0.080
6907 2RS	1000907 2RS	35	55	10	9560	6200	7500	-	0.080
6908	1000908	40	62	12	13800	9300	11000	13000	0.110
6908 ZZ	1000908 ZZ	40	62	12	13800	9300	11000	13000	0.110
6908 2RS	1000908 2RS	40	62	12	13800	9300	6700	-	0.110
6909	1000909	45	68	12	10100	6700	9800	12000	0.140
6909 ZZ	1000909 ZZ	45	68	12	10100	6700	9800	12000	0.140
6909 2RS	1000909 2RS	45	68	12	10100	6700	6000	-	0.140
6910	1000910	50	72	12	14600	10400	8900	11000	0.140
6910 ZZ	1000910 ZZ	50	72	12	14600	10400	8900	11000	0.140

ISO	GOST	Dimensions (mm)			Basic Load Rating (N)		Limiting speed (r/min)		Weight (kg)
							Lubrication		
		d	D	B	Dyn. C	Stat. C ₀	Grease	Oil	
6910 2RS	1000910 2RS	50	72	12	14600	10400	5600	-	0.140
6911	1000911	55	80	13	15900	11400	8200	9600	0.190
6911 ZZ	1000911 ZZ	55	80	13	15900	11400	8200	9600	0.190
6911 2RS	1000911 2RS	55	80	13	15900	11400	5000	-	0.190
6912	1000912	60	85	13	16500	12000	7600	8900	0.200
6912 ZZ	1000912 ZZ	60	85	13	16500	12000	7600	8900	0.200
6912 2RS	1000912 2RS	60	85	13	16500	12000	4500	-	0.200
6913	1000913	65	90	13	17400	13400	7000	8200	0.220
6913 ZZ	1000913 ZZ	65	90	13	17400	13400	7000	8200	0.220
6913 2RS	1000913 2RS	65	90	13	17400	13400	4300	-	0.220
6914	1000914	70	100	16	23800	18300	6500	7700	0.350
6914 ZZ	1000914 ZZ	70	100	16	23800	18300	6500	7700	0.350
6914 2RS	1000914 2RS	70	100	16	23800	18300	4000	-	0.350
6915	1000915	75	105	16	24200	19300	6100	7200	0.370
6915 ZZ	1000915 ZZ	75	105	16	24200	19300	6100	7200	0.370
6915 2RS	1000915 2RS	75	105	16	24200	19300	3600	-	0.370
6916	1000916	80	110	16	25100	20400	5700	6700	0.400
6916 ZZ	1000916 ZZ	80	110	16	25100	20400	5700	6700	0.400
6916 2RS	1000916 2RS	80	110	16	25100	20400	3400	-	0.400
6917	1000917	85	120	18	32000	29600	5400	6300	0.517
6917 ZZ	1000917 ZZ	85	120	18	32000	29600	5400	6300	0.517
6917 2RS	1000917 2RS	85	120	18	32000	29600	2800	-	0.517
6918	1000918	90	125	18	33000	31500	5100	6000	0.590
6918 ZZ	1000918 ZZ	90	125	18	33000	31500	5100	6000	0.590
6918 2RS	1000918 2RS	90	125	18	33000	31500	2400	-	0.590
6919	1000919	95	130	18	33500	33500	4800	5700	0.680
6919 ZZ	1000919 ZZ	95	130	18	33500	33500	4800	5700	0.680
6920	1000920	100	140	20	42300	41500	4500	5300	0.830
6920 ZZ	1000920 ZZ	100	140	20	42300	41500	4500	5300	0.830
6922	1000920	110	150	20	43600	44500	4100	4800	0.900
6922 ZZ	1000920 ZZ	110	150	20	43600	44500	4100	4800	0.900
6924	1000924	120	165	22	53000	57000	3800	4400	1.200
6924 ZZ	1000924 ZZ	120	165	22	53000	57000	3800	4400	1.129
6926	1000926	130	180	24	65000	67000	3500	4100	1.600
6926 ZZ	1000926 ZZ	130	180	24	65000	67000	3500	4100	1.780
6928	1000928	140	190	24	66300	71000	3200	3800	1.700
6928 ZZ	1000928 ZZ	140	190	24	66300	71000	3200	3800	1.900
6930	1000930	150	210	28	85000	90500	3000	3500	2.470
6930 ZZ	1000930 ZZ	150	210	28	85000	90500	3000	3500	2.640
6932	1000932	160	220	28	87000	96000	2800	3300	2.610
6934	1000934	170	230	28	86000	95500	2600	3100	2.740
6936	1000936	180	250	33	110000	119000	2400	2900	4.760
6940	1000940	200	280	38	148000	166000	2200	2600	7.400
6944	1000944	220	300	38	151000	180000	2000	2300	8.000
6948	1000948	240	320	38	170000	203000	1800	2100	8.280
6952	1000952	260	360	46	212000	270000	1600	1900	14.500
6956	1000956	280	380	46	216000	285000	1500	1800	15.500
6960	1000960	300	420	56	276000	375000	1400	1600	23.500
6964	1000964	320	440	56	285000	405000	1300	1500	24.800
6968	1000968	340	460	56	293000	430000	1200	1400	26.200
6972	1000972	360	480	56	300000	455000	1100	1300	27.500
6976	1000976	380	520	65	325000	510000	1100	1200	39.800
6980	1000980	400	540	65	335000	535000	990	1200	41.600
6984	1000984	420	560	65	340000	560000	940	1100	43.400
6988	1000988	440	600	74	365000	615000	890	1000	60.000
6992	1000992	460	620	74	375000	645000	850	1000	62.200
6996	1000996	480	650	78	430000	770000	810	950	73.000



Subject	Symbol	Description
Seal type	ZZ	Metal shields on both sides.
	2RS	Rubber seals on both sides.
	Z	Metal shield on one side.
	RS	Rubber seal on one side.
Tolerances	P0	Normal tolerance level. Is not indicated as a standard.
	P6	Greater tolerance level than P0.
	P5	Greater tolerance level than P6.

Features

Miniature and small bearings are used for extremely high speeds. These bearings offer a low level of noise, vibration, and frictional torque performance.

Miniature and extra-small ball bearings can be sealed by shields or rubber seals to prevent leakage of lubricating grease or entry of dust. Since the appropriate quantity of a high quality lubricating grease is factory sealed, the sealed miniature and extra-small ball bearings allows simplification of sealing devices around the bearing and facilitates easy handling.

Sealing and lubrication

The most popular sizes of miniature and small bearings are also produced in sealed versions. These bearings with Z and ZZ are greased using high quality grease, lubricated for life and suitable for high speeds. Bearings with the suffix RS or 2RS have lip seals on one or both sides made from nitrile butadiene rubber. CRAFT bearings grease is a low noise bearing grease which is thickened by lithium 12-hydroxy stearic, it is made from deeply refined mineral oil with rust and oxidation inhibitors through special technical process. Applied temperatures range -20 C - 120 C.

Cage

In general, a ribbon or crown type cage made of steel is used in miniature and small ball bearings. The ribbon type cage is used in relatively large bearing, while the crown type is used in smaller ones.

ISO	GOST	Dimensions (mm)			Basic Load Rating (N)		Limiting speed (r/min)		Weight (kg)
		d	D	B	Dyn. C	Stat. C ₀	Lubrication		
							Grease	Oil	
672	1000072	2	4	1.2	171	51	74000	87000	0.00006
672 ZZ		2	4	2	171	51	74000	87000	0.00006
673	1000073	3	6	2	242	94	60000	71000	0.00020
673 ZZ		3	6	2.5	242	94	60000	71000	0.00020
673 2RS		3	6	2	242	94	60000	-	0.00020
674	1000074	4	7	2	269	117	54000	63000	0.00028
674 ZZ		4	7	2.5	269	117	54000	63000	0.00028
674 2RS		4	7	2	269	117	54000	-	0.00028
675	1000075	5	8	2	292	142	49000	57000	0.00032
675 ZZ		5	8	2	292	142	49000	57000	0.00032
675 2RS		5	8	2.5	292	142	49000	-	0.00032
676	1000076	6	10	2.5	530	240	43000	51000	0.00065
676 ZZ		6	10	3	530	240	43000	51000	0.00065
676 2RS		6	10	2.5	530	240	43000	-	0.00065
677	1000077	7	11	2.5	560	270	40000	47000	0.00067
677 ZZ		7	11	3	560	270	40000	47000	0.00067
677 2RS		7	11	2.5	560	270	40000	-	0.00067
678	1000078	8	12	2.5	575	298	38000	45000	0.00075
678 ZZ		8	12	3.5	575	298	38000	45000	0.00075
678 2RS		8	12	2.5	575	298	38000	45000	0.00075
679	1000079	9	14	3	920	465	36000	42000	0.00140
679 ZZ		9	14	4.5	920	465	36000	42000	0.00140
679 2RS		9	14	3	920	465	36000	-	0.00140
681	1000081	1	3	1	80	22	120000	140000	0.00005
681 ZZ		1	3	1.5	80	22	120000	140000	0.00005
681 2RS		1	3	1.5	80	22	120000	-	0.00005
682	1000082	2	5	1.5	171	51	74000	87000	0.00013
682 ZZ		2	5	1.5	171	51	74000	87000	0.00013
682 2RS		2	5	1.5	171	51	74000	-	0.00013
683	1000083	3	7	2	390	130	58000	68000	0.00031
683 ZZ		3	7	3	390	130	58000	68000	0.00031
683 2RS		3	7	3	390	130	58000	-	0.00031
684	1000084	4	9	2.5	540	180	49000	57000	0.00070
684 ZZ		4	9	4	540	180	49000	57000	0.00070
684 2RS		4	9	4	540	180	49000	-	0.00070
685	1000085	5	11	3	637	255	43000	51000	0.00120
685 ZZ		5	11	5	637	255	43000	51000	0.00120
685 2RS		5	11	5	637	255	43000	-	0.00120
686	1000086	6	13	3.5	884	345	39000	46000	0.00200
686 ZZ		6	13	5	884	345	39000	46000	0.00200
686 2RS		6	13	5	884	345	39000	-	0.00200
687	1000087	7	14	3.5	956	400	37000	44000	0.00220
687 ZZ		7	14	5	956	400	37000	44000	0.00220
687 2RS		7	14	3.5	956	400	37000	-	0.00220
688	1000088	8	16	4	1330	570	35000	41000	0.00300
688 ZZ		8	16	5	1330	570	35000	41000	0.00300
688 2RS		8	16	4	1330	570	35000	-	0.00300
689	1000089	9	17	4	1430	665	33000	39000	0.00340
689 ZZ		9	17	5	1430	665	33000	39000	0.00340
689 2RS		9	17	4	1430	665	33000	-	0.00340
691	1000091	1	4	1.6	157	43	96000	110000	0.00011
691 ZZ	1080091	1	4	2.3	157	43	96000	110000	0.00011
691 2RS		1	4	2.3	157	43	96000	-	0.00011
692	1000092	2	6	2.3	279	89	67000	79000	0.00031
692 ZZ	1080092	2	6	3	279	89	67000	79000	0.00031
692 2RS		2	6	3	279	89	67000	79000	0.00031
693	1000093	3	8	3	560	180	54000	63000	0.00059
693 ZZ	1080093	3	8	4	560	180	54000	63000	0.00059
693 2RS		3	8	4	560	180	54000	-	0.00059

ISO	GOST	Dimensions (mm)			Basic Load Rating (N)		Limiting speed (r/min)		Weight (kg)
							Lubrication		
		d	D	B	Dyn. C	Stat. C ₀	Grease	Oil	
694	1000094	4	11	4	715	276	45000	52000	0.00167
694 ZZ	1080094	4	11	4	715	276	45000	52000	0.00167
694 2RS		4	11	4	715	276	45000	-	0.00167
695	1000095	5	13	4	1080	430	40000	47000	0.00238
695 ZZ	1080095	5	13	4	1080	430	40000	47000	0.00238
695 2RS		5	13	4	1080	430	40000	-	0.00238
696	1000096	6	15	5	1350	530	37000	44000	0.00379
696 ZZ	1080096	6	15	5	1350	530	37000	44000	0.00379
696 2RS		6	15	5	1350	530	37000	-	0.00379
697	1000097	7	17	5	1610	715	35000	41000	0.00526
697 ZZ	1080097	7	17	5	1610	715	35000	41000	0.00526
697 2RS		7	17	5	1610	715	35000	-	0.00526
698	1000098	8	19	6	1990	865	33000	39000	0.00709
698 ZZ	1080098	8	19	6	1990	865	33000	39000	0.00709
698 2RS		8	19	6	1990	865	33000	-	0.00709
699	1000099	9	20	6	2480	1090	32000	38000	0.00845
699 ZZ	1080099	9	20	6	2480	1090	32000	38000	0.00845
699 2RS		9	20	6	2480	1090	32000	-	0.00845
602	12	2	7	2.8	380	125	62000	73000	0.00054
602 ZZ	80012	2	7	3.5	380	125	62000	73000	0.00054
602 2RS	180012	2	7	3.5	380	125	62000	-	0.00054
603	13	3	9	3	635	219	50000	59000	0.00092
603 ZZ	80013	3	9	5	635	219	50000	59000	0.00092
603 2RS	180013	3	9	5	635	219	50000	-	0.00092
604	14	4	12	4	970	360	43000	51000	0.00220
604 ZZ	80014	4	12	4	970	360	43000	51000	0.00220
604 2RS	180014	4	12	4	970	360	43000	-	0.00220
605	15	5	14	5	1330	510	39000	46000	0.00400
605 ZZ	80015	5	14	5	1330	510	39000	46000	0.00400
605 2RS	180015	5	14	5	1330	510	39000	-	0.00400
606	16	6	17	6	2190	865	35000	42000	0.00600
606 ZZ	80016	6	17	6	2190	865	35000	42000	0.00600
606 2RS	180016	6	17	6	2190	865	35000	-	0.00600
607	17	7	19	6	1720	620	34000	40000	0.007500
607 ZZ	80017	7	19	6	1720	620	34000	40000	0.007500
607 2RS	180017	7	19	6	1720	620	34000	-	0.007500
608	18	8	22	7	3250	1370	32000	37000	0.01200
608 ZZ	80018	8	22	7	3250	1370	32000	37000	0.01200
608 2RS	180018	8	22	7	3250	1370	32000	-	0.01200
609	19	9	24	7	3710	1660	31000	36000	0.01400
609 ZZ	80019	9	24	7	3710	1660	31000	36000	0.01400
609 2RS	180019	9	24	7	3710	1660	31000	-	0.01400
623	23	3	10	4	490	150	50000	58000	0.0014
623 ZZ	80023	3	10	4	490	150	50000	58000	0.0014
623 2RS	180023	3	10	4	490	150	50000	-	0.0014
624	24	4	13	5	980	305	42000	49000	0.0031
624 ZZ	80024	4	13	5	980	305	42000	49000	0.0031
624 2RS	180024	4	13	5	980	305	42000	-	0.0031
625	25	5	16	5	1110	380	37000	44000	0.0050
625 ZZ	80025	5	16	5	1110	380	37000	44000	0.0050
625 2RS	180025	5	16	5	1110	380	37000	-	0.0050
626	26	6	19	6	1720	620	34000	40000	0.0084
626 ZZ	80026	6	19	6	1720	620	34000	40000	0.0084
626 2RS	180026	6	19	6	1720	620	34000	-	0.0084
627	27	7	22	7	3250	1370	32000	37000	0.0130
627 ZZ	80026	7	22	7	3250	1370	32000	37000	0.0130
627 2RS	180026	7	22	7	3250	1370	32000	-	0.0130
628	28	8	24	8	4000	1590	31000	36000	0.0170
628 ZZ	80028	8	24	8	4000	1590	31000	36000	0.0170

ISO	GOST	Dimensions (mm)			Basic Load Rating (N)		Limiting speed (r/min)		Weight (kg)
							Lubrication		
		d	D	B	Dyn. C	Stat. C ₀	Grease	Oil	
628 2RS	180028	8	24	8	4000	1590	31000	-	0.0170
629	29	9	26	8	4620	1960	30000	35000	0.0200
629 ZZ	80029	9	26	8	4620	1960	30000	35000	0.0200
629 2RS	180029	9	26	8	4620	1960	30000	-	0.0200
634	34	4	16	5	1110	380	37000	44000	0.0054
634 ZZ	80034	4	16	5	1110	380	37000	44000	0.0054
634 2RS	180034	4	16	5	1110	380	37000	-	0.0054
635	35	5	19	6	1720	620	34000	40000	0.0090
635 2RS	80035	5	19	6	1720	620	34000	40000	0.0090
635 ZZ	180035	5	19	6	1720	620	34000	-	0.0090



Subject	Symbol	Description
Cage type	M	Brass cage.
	E	Polymer cage.
	-	Sheet steel cage. Is not indicated as a standard.
Contact angle	C	Contact angle 15°.
	AC	Contact angle 25°.
	B	Contact angle 40°.
Tolerances	P0	Normal tolerance level. Is not indicated as a standard.
	P6	Greater tolerance level than P0.
	P5	Greater tolerance level than P6.

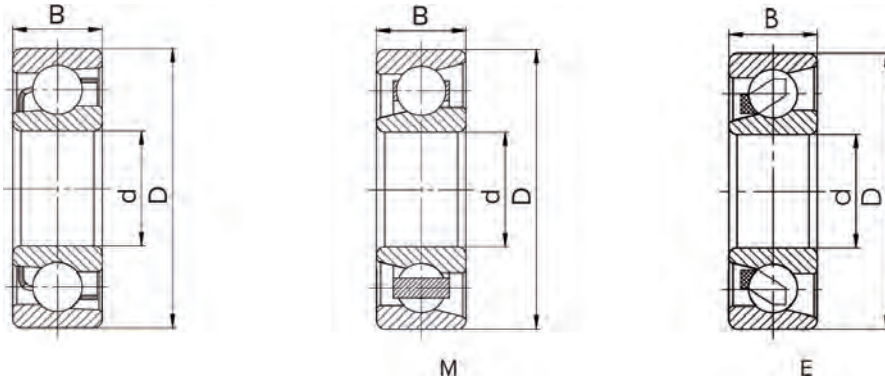
Features

Angular contact ball bearings have raceways in the inner and outer rings that are displaced with respect to each other in the direction of the bearing axis. This means that they are designed to accommodate combined loads, i.e. simultaneously acting radial and axial loads. The axial load carrying capacity of angular contact ball bearings increases with increasing contact angle. However, in any case minimal loads are necessary to perform properly. The contact angle α is defined as the angle between the line joining the points of contact of the ball and the raceways in the radial plane, along which the load is transmitted from one raceway to another, and a line perpendicular to the bearing axis.

Single row angular contact ball bearings can accommodate axial loads acting in one direction only. The bearings are non-separable and the bearing rings have one high and one low shoulder. The low shoulder enables a large number of balls to be incorporated in the bearing, giving it a relatively high load carrying capacity.

Cages

Angular contact ball bearings are provided with three different cages: machined brass cage, steel sheet cage or polymer cage. Choosing right cage is important to ensure robust operation, sufficient lubrication or right speed ratings.



ISO	GOST	Dimensions (mm)			Basic Load Rating (N)		Limiting speed (r/min)		Weight (kg)
		d	D	B	Dyn. C	Stat. C ₀	Lubrication		
							Grease	Oil	
7000 AC	46100	10	26	8	5000	2350	34000	42000	0.025
7000 B	66100	10	26	8	4650	2150	25000	33000	0.025
7000 C	36100	10	26	8	5300	2450	47000	62000	0.025
7001 AC	46101	12	28	8	5400	2750	29000	37000	0.027
7001 B	66101	12	28	8	4950	2500	22000	29000	0.027
7001 C	36101	12	28	8	5800	2950	40000	54000	0.027
7002 AC	46102	15	32	9	6100	3450	26000	32000	0.039
7002 B	66102	15	32	9	5550	3150	19000	25000	0.039
7002 C	36102	15	32	9	6600	3700	35000	47000	0.039
7003 AC	46103	17	35	10	6750	4150	23000	28000	0.051
7003 B	66103	17	35	10	6100	3750	17000	23000	0.051
7003 C	36103	17	35	10	7300	4450	31000	41000	0.051
7004 AC	46104	20	42	12	10300	6100	19000	24000	0.089
7004 B	66104	20	42	12	9350	5550	14000	19000	0.089
7004 C	36104	20	42	12	11100	6600	26000	35000	0.089
7005 AC	46105	25	47	12	11300	7400	17000	21000	0.103
7005 B	66105	25	47	12	10200	6700	12000	17000	0.103
7005 C	36105	25	47	12	12300	8000	23000	30000	0.103
7006 AC	46106	30	55	13	14500	10100	14000	18000	0.150
7006 B	66106	30	55	13	13100	9200	11000	14000	0.150
7006 C	36106	30	55	13	15800	11000	20000	26000	0.150
7007 AC	46107	35	62	14	17500	12600	12000	15000	0.207
7007 B	66107	35	62	14	15800	11400	9200	12000	0.207
7007 C	36107	35	62	14	19100	13700	17000	22000	0.207
7008 AC	46108	40	68	15	18700	14600	11000	14000	0.247
7008 B	66108	40	68	15	16800	13200	8300	11000	0.247
7008 C	36108	40	68	15	20500	15900	15000	20000	0.247
7009 AC	46109	45	75	16	22200	17700	10000	12000	0.310
7009 B	66109	45	75	16	20000	16000	7500	10000	0.310
7009 C	36109	45	75	16	24400	19300	14000	18000	0.310
7010 AC	46110	50	80	16	23600	20100	9200	11000	0.350
7010 B	66110	50	80	16	21200	18100	6900	9200	0.350
7010 C	36110	50	80	16	26000	21900	13000	17000	0.350
7011 AC	46111	55	90	18	31100	26300	8300	10000	0.470
7011 B	66111	55	90	18	27900	23700	6200	8300	0.470
7011 C	36111	55	90	18	34100	28600	11000	15000	0.470
7012 AC	46112	60	95	18	31900	28100	7700	9700	0.500
7012 B	66112	60	95	18	28600	25300	5800	7700	0.500
7012 C	36112	60	95	18	35000	30600	11000	14000	0.500
7013 AC	46113	65	100	18	33700	31400	7200	9000	0.540
7013 B	66113	65	100	18	30100	28300	5400	7200	0.540
7013 C	36113	65	100	18	37100	34300	10000	13000	0.540
7014 AC	46114	70	110	20	42700	39400	6600	8300	0.810

ISO	GOST	Dimensions (mm)			Basic Load Rating (N)		Limiting speed (r/min)		Weight (kg)
		d	D	B	Dyn. C	Stat. C ₀	Lubrication		
							Grease	Oil	
7014 B	66114	70	110	20	38300	35500	5000	6600	0.810
7014 C	36114	70	110	20	46900	43000	9200	12000	0.810
7015 AC	46115	75	115	20	43600	41700	6300	7800	0.860
7015 B	66115	75	115	20	39100	37600	4700	6300	0.860
7015 C	36115	75	115	20	48000	45600	8700	11000	0.860
7016 AC	46116	80	125	22	53400	50600	5800	7200	1.110
7016 B	66116	80	125	22	47800	45700	4300	5800	1.110
7016 C	36116	80	125	22	58700	55300	8000	11000	1.110
7017 AC	46117	85	130	22	54600	53700	5500	6800	1.250
7017 B	66117	85	130	22	48800	48400	4100	5500	1.250
7017 C	36117	85	130	22	60100	58700	7600	10000	1.250
7018 AC	46118	90	140	24	65200	63300	5100	6400	1.580
7018 B	66118	90	140	24	58400	57100	3900	5100	1.580
7018 C	36118	90	140	24	71700	69100	7100	9400	1.580
7019 AC	46119	95	145	24	66600	67100	4800	6000	1.670
7019 B	66119	95	145	24	59600	60500	3600	4800	1.670
7019 C	36119	95	145	24	73400	73400	6700	8900	1.670
7020 AC	46120	100	150	24	68400	70600	4700	5900	1.720
7020 B	66120	100	150	24	61200	63600	3500	4700	1.720
7020 C	36120	100	150	24	75300	77200	6500	8600	1.720
7021 AC	46121	105	160	26	79800	81900	4400	5500	2.160
7021 B	66121	105	160	26	71400	73800	3300	4400	2.160
7021 C	36121	105	160	26	87800	89600	6000	8000	2.160
7022 AC	46122	110	170	28	91900	92800	4200	5200	2.710
7022 B	66122	110	170	28	82300	83700	3100	4200	2.710
7022 C	36122	110	170	28	101000	101000	5800	7700	2.710
7024 AC	46124	120	180	28	96600	103000	3900	4900	2.940
7024 B	66124	120	180	28	86400	93000	2900	3900	2.940
7024 C	36124	120	180	28	106000	113000	5400	7100	2.940
7026 AC	46126	130	200	33	117000	125000	3500	4400	4.430
7026 B	66126	130	200	33	105000	113000	2600	3500	4.430
7026 C	36126	130	200	33	129000	137000	4800	6400	4.430
7028 AC	46128	140	210	33	120000	133000	3300	4100	4.700
7028 B	66128	140	210	33	107000	119000	2500	3300	4.700
7028 C	36128	140	210	33	132000	145000	4500	6000	4.700
7030 AC	46130	150	225	35	137000	154000	3000	3800	5.490
7030 B	66130	150	225	35	122000	138000	2300	3000	5.490
7030 C	36130	150	225	35	151000	169000	4200	5500	5.490
7032 AC	46132	160	240	38	155000	176000	2800	3500	6.670
7032 B	66132	160	240	38	139000	158000	2100	2800	6.670
7032 C	36132	160	240	38	171000	193000	3900	5200	6.670
7034 AC	46134	170	260	42	186000	214000	2600	3200	8.920
7034 B	66134	170	260	42	166000	193000	1900	2600	8.920
7034 C	36134	170	260	42	204000	234000	3600	4800	8.920
7036 AC	46136	180	280	46	212000	253000	2400	3000	11.28
7036 B	66136	180	280	46	190000	228000	1800	2400	11.28
7036 C	36136	180	280	46	233000	276000	3300	4400	11.28
7038 AC	46138	190	290	46	217000	268000	2300	2800	12.10
7038 B	66138	190	290	46	194000	241000	1700	2300	12.10
7038 C	36138	190	290	46	239000	293000	3100	4200	12.10
7040 AC	46140	200	310	51	244000	309000	2100	2600	15.59
7040 B	66140	200	310	51	218000	279000	1600	2100	15.59
7040 C	36140	200	310	51	268000	338000	2900	3900	15.59
7044 AC	46144	220	340	56	267000	353000	1900	2400	18.50
7044 B	66144	220	340	56	239000	318000	1400	1900	18.50
7048 AC	46148	240	360	56	273000	375000	1700	2200	19.70
7048 B	66148	240	360	56	244000	338000	1300	1700	19.70
7052 AC	46152	260	400	65	325000	478000	1500	1900	28.70
7052 B	66152	260	400	65	291000	431000	1100	1500	28.70

ISO	GOST	Dimensions (mm)			Basic Load Rating (N)		Limiting speed (r/min)		Weight (kg)
		d	D	B	Dyn. C	Stat. C ₀	Lubrication		
							Grease	Oil	
7056 AC	46156	280	420	65	332000	507000	1400	1800	30.40
7056 B	66156	280	420	65	297000	453000	1100	1400	30.40
7060 AC	46160	300	460	74	426000	680000	1300	1600	43.70
7060 B	66160	300	460	74	382000	613000	960	1300	43.70
7064 AC	46164	320	480	74	437000	722000	1200	1500	46.00
7064 B	66164	320	480	74	391000	651000	890	1200	46.00
7068 AC	46168	340	520	82	502000	861000	1100	1300	61.80
7068 B	66168	340	520	82	450000	777000	800	1100	61.80
7072 AC	46172	360	540	82	515000	913000	1000	1300	64.60
7072 B	66172	360	540	82	461000	824000	750	1000	64.60
7076 AC	46176	380	560	82	528000	966000	940	1200	67.20
7076 B	66176	380	560	82	472000	870000	700	940	67.20
7200 AC	46200	10	30	9	4650	2200	29000	37000	0.032
7200 B	66200	10	30	9	4300	2000	22000	29000	0.032
7200 C	36200	10	30	9	5000	2350	40000	54000	0.032
7201 AC	46201	12	32	10	7450	3650	27000	34000	0.039
7201 B	66201	12	32	10	6950	3400	20000	27000	0.039
7201 C	36201	12	32	10	7900	3850	38000	50000	0.039
7202 AC	46202	15	35	11	8100	4250	24000	29000	0.048
7202 B	66202	15	35	11	7450	3950	18000	24000	0.048
7202 C	36202	15	35	11	8650	4550	33000	43000	0.048
7203 AC	46203	17	40	12	10200	5500	21000	26000	0.069
7203 B	66203	17	40	12	9350	5050	16000	21000	0.069
7203 C	36203	17	40	12	10900	5900	29000	38000	0.069
7204 AC	46204	20	47	14	14500	8400	17000	22000	0.110
7204 B	66204	20	47	14	13300	7700	13000	17000	0.110
7204 C	36204	20	47	14	15500	9000	24000	32000	0.110
7205 AC	46205	25	52	15	15300	9500	15000	19000	0.130
7205 B	66205	25	52	15	14000	8700	12000	15000	0.130
7205 C	36205	25	52	15	16600	10200	21000	28000	0.130
7206 AC	46206	30	62	16	21300	13700	13000	16000	0.217
7206 B	66206	30	62	16	19400	12500	9600	13000	0.217
7206 C	36206	30	62	16	23000	14700	18000	24000	0.217
7207 AC	46207	35	72	17	19100	13700	17000	22000	0.313
7207 B	66207	35	72	17	28100	18600	11000	14000	0.313
7207 C	36207	35	72	17	25600	17000	8300	11000	0.313
7208 AC	46208	40	80	18	33600	23300	10000	12000	0.402
7208 B	66208	40	80	18	30600	21300	7500	10000	0.402
7208 C	36208	40	80	18	36400	25200	14000	18000	0.402
7209 AC	46209	45	85	19	37700	26600	9400	12000	0.460
7209 B	66209	45	85	19	34300	24300	7000	9400	0.460
7209 C	36209	45	85	19	40800	28700	13000	17000	0.460
7210 AC	46210	50	90	20	39400	29400	8500	11000	0.510
7210 B	66210	50	90	20	35700	26700	6400	8500	0.510
7210 C	36210	50	90	20	42800	31800	12000	16000	0.510
7211 AC	46211	55	100	21	48700	37100	7600	9500	0.680
7211 B	66211	55	100	21	44100	33800	5700	7600	0.680
7211 C	36211	55	100	21	52900	40200	11000	14000	0.680
7212 AC	46212	60	110	22	58900	45700	6900	8600	1.020
7212 B	66212	60	110	22	53400	41600	5100	6900	1.020
7212 C	36212	60	110	22	64000	49500	9500	13000	1.020
7213 AC	46213	65	120	23	67300	54200	6400	8000	1.090
7213 B	66213	65	120	23	60900	49300	4800	6400	1.090
7213 C	36213	65	120	23	73100	58700	8900	12000	1.090
7214 AC	46214	70	125	24	69800	55600	6100	7600	1.180
7214 B	66214	70	125	24	63200	50600	4600	6100	1.180
7214 C	36214	70	125	24	75900	60200	8400	11000	1.180
7215 AC	46215	75	130	25	79200	65200	5800	7200	1.320
7215 B	66215	75	130	25	71700	59300	4300	5800	1.320

ISO	GOST	Dimensions (mm)			Basic Load Rating (N)		Limiting speed (r/min)		Weight (kg)
		d	D	B	Dyn. C	Stat. C ₀	Lubrication		
							Grease	Oil	
7215 C	36215	75	130	25	86100	70600	8000	11000	1.320
7216 AC	46216	80	140	26	85300	71500	5400	6700	1.570
7216 B	66216	80	140	26	77100	65000	4000	5400	1.570
7216 C	36216	80	140	26	92800	77500	7500	9900	1.570
7217 AC	46217	85	150	28	98600	83600	5000	6300	2.010
7217 B	66217	85	150	28	89200	76000	3800	5000	2.010
7217 C	36217	85	150	28	107000	90600	4400	5500	2.010
7218 AC	46218	90	160	30	113000	96700	4700	5900	2.470
7218 B	66218	90	160	30	102000	88000	3500	4700	2.470
7218 C	36218	90	160	30	123000	105000	6500	8600	2.470
7219 AC	46219	95	170	32	122000	103000	4400	5500	3.020
7219 B	66219	95	170	32	110000	94000	3300	4400	3.020
7219 C	36219	95	170	32	133000	112000	6100	8100	3.020
7220 AC	46220	100	180	34	137000	117000	4100	5200	3.620
7220 B	66220	100	180	34	124000	107000	3100	4200	3.620
7220 C	36220	100	180	34	149000	127000	5700	7600	3.620
7221 AC	46221	105	190	36	149000	132000	3900	4900	4.290
7221 B	66221	105	190	36	135000	121000	2900	3900	4.290
7221 C	36221	105	190	36	162000	143000	5400	7200	4.290
7222 AC	46222	110	200	38	162000	148000	3700	4600	5.030
7222 B	66222	110	200	38	147000	135000	2800	3700	5.030
7222 C	36222	110	200	38	176000	160000	5100	6800	5.030
7224 AC	46224	120	215	40	174000	166000	3400	4300	7.080
7224 B	66224	120	215	40	158000	151000	2600	3400	7.080
7224 C	36224	120	215	40	190000	180000	4800	6300	7.080
7226 AC	46226	130	230	40	196000	198000	3200	4000	8.100
7226 B	66226	130	230	40	177000	180000	2400	3200	8.100
7226 C	36226	130	230	40	213000	214000	4400	5800	8.100
7228 AC	46228	140	250	42	218000	234000	2900	3600	9.950
7228 B	66228	140	250	42	197000	213000	2200	2900	9.950
7228 C	36228	140	250	42	238000	254000	4000	5300	9.950
7230 AC	46230	150	270	45	248000	280000	2700	3300	12.46
7230 B	66230	150	270	45	225000	254000	2000	2700	12.46
7230 C	36230	150	270	45	270000	303000	3700	4900	12.46
7232 AC	46232	160	290	48	230000	263000	2500	3100	15.49
7232 B	66232	160	290	48	238000	279000	1800	2500	15.49
7232 C	36232	160	290	48	287000	333000	3400	4500	15.49
7234 AC	46234	170	310	52	27000	331000	2300	2800	19.69
7234 B	66234	170	310	52	245000	300000	1700	2300	19.69
7234 C	36234	170	310	52	297000	359000	3100	4200	19.69
7236 AC	46236	180	320	52	293000	362000	2200	2700	20.26
7236 B	66236	180	320	52	265000	329000	1600	2200	20.26
7236 C	36236	180	320	52	320000	393000	3000	4000	20.26
7238 AC	46238	190	340	55	303000	390000	2000	2500	24.31
7238 B	66238	190	340	55	273000	353000	1500	2000	24.31
7238 C	36238	190	340	55	331000	424000	2800	3700	24.31
7240 AC	46240	200	360	58	324000	423000	1900	2400	28.82
7240 B	66240	200	360	58	292000	384000	1400	1900	28.82
7240 C	36240	200	360	58	354000	460000	2600	3500	28.82
7244 AC	46244	220	400	65	380000	540000	2600	3200	33.60
7244 C	36244	220	400	65	400000	560000	2500	3400	33.60
7300 AC	46300	10	35	11	9300	4300	20000	26000	0.054
7300 B	66300	10	35	11	8950	4150	18000	24000	0.054
7300 C	36300	10	35	11	9850	4600	36000	49000	0.054
7301 AC	46301	12	37	12	11200	5250	18000	24000	0.065
7301 B	66301	12	37	12	10800	5050	16000	22000	0.065
7301 C	36301	12	37	12	10800	4900	33000	45000	0.065
7302 AC	46302	15	42	13	13600	7100	16000	21000	0.088
7302 B	66302	15	42	13	12800	6750	14000	19000	0.088

ISO	GOST	Dimensions (mm)			Basic Load Rating (N)		Limiting speed (r/min)		Weight (kg)
		d	D	B	Dyn. C	Stat. C ₀	Lubrication		
							Grease	Oil	
7302 C	36302	15	42	13	13300	6850	28000	39000	0.088
7303 AC	46303	17	47	14	14900	7900	18000	23000	0.121
7303 B	66303	17	47	14	13800	7300	14000	18000	0.121
7303 C	36303	17	47	14	15800	8400	25000	33000	0.121
7304 AC	46304	20	52	15	17400	9400	17000	21000	0.156
7304 B	66304	20	52	15	16200	8700	13000	17000	0.156
7304 C	36304	20	52	15	18500	9950	23000	31000	0.156
7305 AC	46305	25	62	17	24800	14400	14000	17000	0.248
7305 B	66305	25	62	17	22900	13300	10000	14000	0.248
7305 C	36305	25	62	17	26400	15300	19000	25000	0.248
7306 AC	46306	30	72	19	30100	18900	12000	14000	0.381
7306 B	66306	30	72	19	27600	17400	8700	12000	0.381
7306 C	36306	30	72	19	32300	20300	16000	21000	0.381
7307 AC	46307	35	80	21	35400	22000	10000	13000	0.512
7307 B	66307	35	80	21	32500	20200	7700	10000	0.512
7307 C	36307	35	80	21	37900	23600	14000	19000	0.512
7308 AC	46308	40	90	23	43200	27400	9200	12000	0.733
7308 B	66308	40	90	23	39700	25200	6900	9200	0.733
7308 C	36308	40	90	23	46300	29400	13000	17000	0.733
7309 AC	46309	45	100	25	55100	37100	8200	10000	0.970
7309 B	66309	45	100	25	50600	34100	6200	8200	0.970
7309 C	36309	45	100	25	59200	39700	11000	15000	0.970
7310 AC	46310	50	110	27	70100	48100	7300	9100	1.230
7310 B	66310	50	110	27	64400	44300	5500	7300	1.230
7310 C	36310	50	110	27	75100	51600	10000	13000	1.230
7311 AC	46311	55	120	29	80900	56500	6700	8400	1.570
7311 B	66311	55	120	29	74300	52000	5000	6700	1.570
7311 C	36311	55	120	29	86800	60600	9300	12000	1.570
7312 AC	46312	60	130	31	92500	65600	6200	7700	1.696
7312 B	66312	60	130	31	84900	60300	4600	6200	1.696
7312 C	36312	60	130	31	99200	70300	8600	11000	1.696
7313 AC	46313	65	140	33	105000	75300	5800	7200	2.380
7313 B	66313	65	140	33	96100	69300	4300	5800	2.380
7313 C	36313	65	140	33	112000	80700	8000	11000	2.380
7314 AC	46314	70	150	36	118000	85800	5400	6700	2.890
7314 B	66314	70	150	36	108000	78900	4000	5400	2.890
7314 C	36314	70	150	36	126000	91900	7500	9900	2.890
7315 AC	46315	75	160	37	128000	97000	5000	6300	3.470
7315 B	66315	75	160	37	118000	89200	3800	5000	3.470
7315 C	36315	75	160	37	137000	104000	7000	9200	3.470
7316 AC	46316	80	170	39	139000	109000	4700	5900	4.130
7316 B	66316	80	170	39	127000	100000	3500	4700	4.130
7316 C	36316	80	170	39	149000	117000	6500	4600	4.130
7317 AC	46317	85	180	41	150000	122000	4400	5500	4.910
7317 B	66317	85	180	41	137000	112000	3300	4400	4.910
7317 C	36317	85	180	41	161000	130000	6100	8100	4.910
7318 AC	46318	90	190	43	161000	135000	4200	5200	5.740
7318 B	66318	90	190	43	148000	124000	3100	4200	5.740
7318 C	36318	90	190	43	173000	145000	5800	7700	5.740
7319 AC	46319	95	200	45	122000	103000	4400	5500	6.670
7319 B	66319	95	200	45	110000	94000	3300	4400	6.670
7319 C	36319	95	200	45	133000	112000	6100	8100	6.670
7320 AC	46320	100	215	47	184000	161000	3600	4600	8.100
7320 B	66320	100	215	47	168000	148000	2700	3600	8.100
7320 C	36320	100	215	47	197000	173000	5000	6700	8.100
7321 AC	46321	105	225	49	208000	193000	3500	4400	9.280
7321 B	66321	105	225	49	191000	177000	2600	3500	9.280
7321 C	36321	105	225	49	223000	207000	4800	6400	9.280
7322 AC	46322	110	240	50	232000	226000	3200	4000	10.87

ISO	GOST	Dimensions (mm)			Basic Load Rating (N)		Limiting speed (r/min)		Weight (kg)
		d	D	B	Dyn. C	Stat. C ₀	Lubrication		
							Grease	Oil	
7322 B	66322	110	240	50	213000	208000	2400	3200	10.87
7322 C	36322	110	240	50	249000	242000	4500	5900	10.87
7324 AC	46324	120	260	55	246000	252000	3000	3700	16.62
7324 B	66324	120	260	55	225000	231000	2200	3000	16.62
7324 C	36324	120	260	55	265000	271000	4100	5500	16.62
7326 AC	46326	130	280	58	301000	329000	2700	3400	19.90
7326 B	66326	130	280	58	250000	268000	2100	2700	19.90
7326 C	36326	130	280	58	294000	314000	3800	5000	19.90
7328 AC	46328	140	300	62	329000	374000	2500	3200	24.31
7328 B	66328	140	300	62	302000	344000	1900	2500	24.31
7328 C	36328	140	300	62	353000	401000	3500	4600	24.31
7330 AC	46330	150	320	65	348000	414000	2300	2900	28.36
7330 B	66330	150	320	65	318000	380000	1800	2300	28.36
7330 C	36330	150	320	65	374000	445000	3200	4300	28.36
7332 AC	46332	160	340	68	365000	455000	2200	2700	34.15
7332 B	66332	160	340	68	332000	416000	1600	2200	34.15
7332 C	36332	160	340	68	394000	490000	3000	4000	34.15
7334 AC	46334	170	360	72	389000	485000	2000	2500	40.36
7334 B	66334	170	360	72	355000	444000	1500	2000	40.36
7334 C	36334	170	360	72	418000	521000	2800	3700	40.36
7336 AC	46336	180	380	75	409000	534000	1900	2400	46.72
7336 B	66336	180	380	75	373000	488000	1400	1900	46.72
7338 AC	46338	190	400	78	450000	598000	1800	2200	53.85
7338 B	66338	190	400	78	411000	548000	1300	1800	53.85
7340 AC	46340	200	420	80	474000	658000	1700	2100	60.51
7340 B	66340	200	420	80	432000	602000	1200	1700	60.51
7404 AC	46404	20	72	19	35600	19100	9600	13000	0.395
7404 B	66404	20	72	19	33500	17900	8500	12000	0.395
7405 AC	46405	25	80	21	39700	23200	8200	11000	0.527
7405 B	66405	25	80	21	36900	21500	7300	10000	0.527
7406 AC	46406	30	90	23	47600	28400	7300	9700	0.686
7406 B	66406	30	90	23	44200	26400	6500	8900	0.686
7407 AC	46407	35	100	25	60400	37000	6500	8600	0.950
7407 B	66407	35	100	25	56200	34300	5700	7900	0.950
7408 AC	46408	40	110	27	69900	43500	5900	7900	1.230
7408 B	66408	40	110	27	64900	40400	5200	7200	1.230
7409 AC	46409	45	120	29	84900	53800	5400	7100	1.550
7409 B	66409	45	120	29	78900	50000	4800	6600	1.550
7410 AC	46410	50	130	31	97400	65300	4900	6600	1.920
7410 B	66410	50	130	31	90200	60400	4400	6000	1.920
7411 AC	46411	55	140	33	118000	82400	4500	6000	2.360
7411 B	66411	55	140	33	110000	76500	4000	5500	2.360
7412 AC	46412	60	150	35	129000	93600	4100	5500	2.850
7412 B	66412	60	150	35	119000	86700	3700	5100	2.850
7413 AC	46413	65	160	37	139000	104000	3900	5200	3.410
7413 B	66413	65	160	37	129000	96800	3500	4800	3.410
7414 AC	46414	70	180	42	149000	115000	3500	4600	4.990
7414 B	66414	70	180	42	148000	119000	3100	4300	4.990
7415 AC	46415	75	190	45	171000	141000	3300	4400	5.900
7415 B	66415	75	190	45	158000	131000	2900	4000	5.900
7416 AC	46416	80	200	48	193000	166000	3100	4100	6.000
7416 B	66416	80	200	48	179000	154000	2700	3800	6.000
7417 AC	46417	85	210	52	204000	180000	3000	3900	8.540
7417 B	66417	85	210	52	189000	167000	2600	3600	8.540
7418 AC	46418	90	225	54	216000	196000	2800	3700	11.40
7418 B	66418	90	225	54	200000	182000	2500	3400	11.40

ANGULAR CONTACT BALL BEARINGS DOUBLE ROW

Series: 30.. 32.. 33.. 38..



Subject	Symbol	Description
Seal type	ZZ	Metal shields on both sides.
	2RS	Rubber seals on both sides.
Axial internal clearance	C2	Less than normal.
	CN	Normal clearance. Is not indicated as a standard.
	C3	Greater clearance than normal.
	C4	Greater than C3.
	C5	Greater than C4.
Cage type	E	Polymer cage.
	A	Steel cage
Speed ratings	V	Normal vibration level. Is not indicated as a standard.
	V1	Lower vibration level than normal.
	V2	Lower vibration level than V1.
Tolerances	P0	Normal tolerance level. Is not indicated as a standard.
	P6	Greater tolerance level than P0.

Features

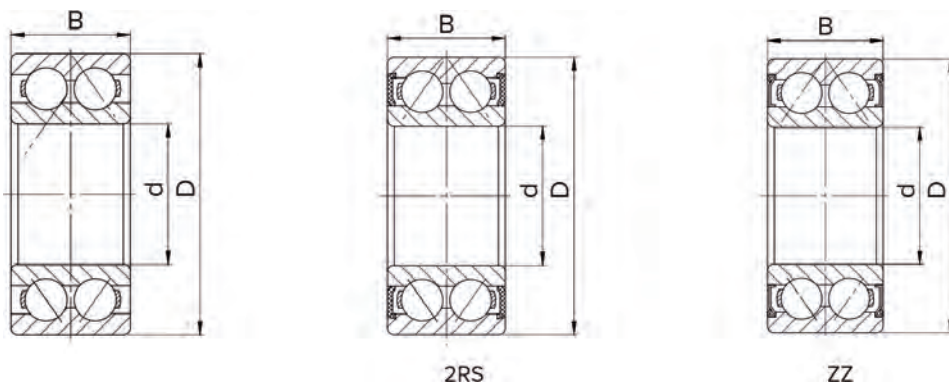
Double row deep groove ball bearings corresponds in design to single row deep groove ball bearings. They are designed for high to very high speeds and are used where the load carrying capacity of single row deep groove ball bearings is not sufficient. Double row deep groove ball bearings are wider than single row deep groove ball bearings of the same bore and outside diameter but have a significantly higher load carrying capacity.

Sealing and lubrication

Mainly these bearings are produced in sealed version, however, other types are available on request. Sealed version ensures great lubrication on working conditions as additional lubrication might not be sufficient for this bearing design. CRAFT bearings grease is a low noise bearing grease which is thickened by lithium 12-hydroxy stearic, it is made from deeply refined mineral oil with rust and oxidation inhibitors through special technical process. Applied temperature range -20 C - +120 C.

Cages

CRAFT bearings double row deep groove ball bearings without a cage suffix have a sheet steel cage. For specific purpose polymer cages might be used which has better friction and lubrication capabilities.



2RS

ZZ

ISO	GOST	Dimensions (mm)			Basic Load Rating (N)		Limiting speed (r/min)		Weight (kg)
		d	D	B	Dyn. C	Stat. C ₀	Lubrication		
							Grease	Oil	
3000 ZZ	-	10	26	12	5700	3250	18500	24000	0.022
3000 2RS	-	10	26	12	5700	3250	18500	-	0.022
3001 ZZ	-	12	28	12	6200	3750	17500	22800	0.025
3001 2RS	-	12	28	12	6200	3750	17500	-	0.025
3002 ZZ	-	15	32	13	8600	5400	14500	18800	0.036
3002 2RS	-	15	32	13	8600	5400	14500	-	0.036
3003 ZZ	-	17	35	14	9200	6200	12500	16200	0.042
3003 2RS	-	17	35	14	9200	6200	12500	-	0.042
3004 ZZ	-	20	42	16	14500	9600	11000	14300	0.080
3004 2RS	-	20	42	16	14500	9600	11000	-	0.080
3005 ZZ	-	25	47	16	15500	11100	9500	12400	0.100
3005 2RS	-	25	47	16	15500	11100	9500	-	0.100
3006 ZZ	-	30	55	19	20300	15600	8000	10400	0.160
3006 2RS	-	30	55	19	20300	15600	8000	-	0.160
3007 ZZ	-	35	62	20	24500	21400	6600	8600	0.200
3007 2RS	-	35	62	20	24500	21400	6600	-	0.200
3008 ZZ	-	40	68	21	25500	21700	6300	8200	0.250
3008 2RS	-	40	68	21	25500	21700	6300	-	0.250
3200	3056200	10	30	14	7410	4300	16000	22000	0.051
3200 ZZ	3056200 ZZ	10	30	14	7410	4300	16000	22000	0.051
3200 2RS	3056200 2RS	10	30	14	7410	4300	16000	-	0.051
3201	3056201	12	32	15.9	10100	5600	15000	20000	0.058
3201 ZZ	3056201 ZZ	12	32	15.9	10100	5600	15000	20000	0.058
3201 2RS	3056201 2RS	12	32	15.9	10100	5600	15000	-	0.058
3202	3056202	15	35	15.9	11200	6800	12000	17000	0.066
3202 ZZ	3056202 ZZ	15	35	15.9	11200	6800	12000	17000	0.066
3202 2RS	3056202 2RS	15	35	15.9	11200	6800	12000	-	0.066
3203	3056203	17	40	17.5	14000	8650	10000	15000	0.096
3203 ZZ	3056203 ZZ	17	40	17.5	14000	8650	10000	15000	0.096
3203 2RS	3056203 2RS	17	40	17.5	14000	8650	10000	-	0.096
3204	3056204	20	47	20.6	18600	12000	9000	13000	0.160
3204 ZZ	3056204 ZZ	20	47	20.6	18600	12000	9000	13000	0.160
3204 2RS	3056204 2RS	20	47	20.6	18600	12000	9000	-	0.160
3205	3056205	25	52	20.6	20300	14000	8000	11000	0.180
3205 ZZ	3056205 ZZ	25	52	20.6	20300	14000	8000	11000	0.180
3205 2RS	3056205 2RS	25	52	20.6	20300	14000	8000	-	0.180
3206	3056206	30	62	23.8	28100	20000	7000	9500	0.290
3206 2RS	3056206 2RS	30	62	23.8	28100	20000	7000	-	0.290
3206 ZZ	3056206 ZZ	30	62	23.8	28100	20000	7000	-	0.290
3207	3056207	35	72	27	37100	27500	6000	8000	0.440
3207 ZZ	3056207 ZZ	35	72	27	37100	27500	6000	8000	0.440
3207 2RS	3056207 2RS	35	72	27	37100	27500	6000	-	0.440
3208	3056208	40	80	30.2	44900	33500	5600	7500	0.590

ISO	GOST	Dimensions (mm)			Basic Load Rating (N)		Limiting speed (r/min)		Weight (kg)
		d	D	B	Dyn. C	Stat. C ₀	Lubrication		
							Grease	Oil	
3208 ZZ	3056208 ZZ	40	80	30.2	44900	33500	5600	7500	0.590
3208 2RS	3056208 2RS	40	80	30.2	44900	33500	5600	-	0.590
3209	3056209	45	85	30.2	47500	38000	5000	6700	0.630
3209 ZZ	3056209 ZZ	45	85	30.2	47500	38000	5000	6700	0.630
3209 2RS	3056209 2RS	45	85	30.2	47500	38000	5000	-	0.630
3210	3056210	50	90	30.2	47500	39000	4800	6300	0.660
3210 ZZ	3056210 ZZ	50	90	30.2	47500	39000	4800	6300	0.660
3210 2RS	3056210 2RS	50	90	30.2	47500	39000	4800	-	0.660
3211	3056211	55	100	33.3	57200	67000	4300	5600	1.050
3211 ZZ	3056211 ZZ	55	100	33.3	57200	67000	4300	5600	1.050
3211 2RS	3056211 2RS	55	100	33.3	57200	67000	4300	-	1.050
3212	3056212	60	110	36.5	72100	85000	3800	5000	1.400
3212 ZZ	3056212 ZZ	60	110	36.5	72100	85000	3800	5000	1.400
3212 2RS	3056212 2RS	60	110	36.5	72100	85000	3800	-	1.400
3213	3056213	65	120	38.1	78100	95000	3600	4800	1.750
3213 ZZ	3056213 ZZ	65	120	38.1	78100	95000	3600	4800	1.750
3213 2RS	3056213 2RS	65	120	38.1	78100	95000	3600	-	1.750
3214	3056214	70	125	39.7	95000	83000	2900	3600	1.850
3214 ZZ	3056214 ZZ	70	125	39.7	95000	83000	2900	3600	1.850
3214 2RS	3056214 2RS	70	125	39.7	95000	83000	2900	-	1.850
3215	3056215	75	130	41.3	95000	84000	2900	3600	2.100
3215 ZZ	3056215 ZZ	75	130	41.3	95000	84000	2900	3600	2.100
3215 2RS	3056215 2RS	75	130	41.3	95000	84000	2900	-	2.100
3216	3056216	80	140	44.4	109000	102000	2500	3100	2.650
3216 ZZ	3056216 ZZ	80	140	44.4	109000	102000	2500	3100	2.650
3216 2RS	3056216 2RS	80	140	44.4	109000	102000	2500	-	2.650
3217	3056217	85	150	49.2	129000	117000	2300	2800	3.400
3217 ZZ	3056217 ZZ	85	150	49.2	129000	117000	2300	2800	3.400
3217 2RS	3056217 2RS	85	150	49.2	129000	117000	2300	-	3.400
3218	3056218	90	160	52.4	142000	142000	2200	2650	4.150
3218 ZZ	3056218 ZZ	90	160	52.4	142000	142000	2200	2650	4.150
3218 2RS	3056218 2RS	90	160	52.4	142000	142000	2200	-	4.150
3219	3056219	95	170	55.6	147000	142000	2000	2400	5.000
3220	3056220	100	180	60.3	187000	175000	2000	2400	5.500
3220 ZZ	3056220 ZZ	100	180	60.3	187000	175000	2000	2400	5.500
3220 2RS	3056220 2RS	100	180	60.3	187000	175000	2000	-	5.500
3222	3056222	110	200	69.8	190000	180000	1900	2400	8.800
3222 ZZ	3056222 ZZ	110	200	69.8	190000	180000	1900	2400	8.800
3222 2RS	3056222 2RS	110	200	69.8	190000	180000	1900	-	8.800
3302	3056302	15	42	19	15100	9150	10000	15000	0.130
3302 ZZ	3056302 ZZ	15	42	19	15100	9150	10000	15000	0.130
3302 2RS	3056302 2RS	15	42	19	15100	9150	10000	-	0.130
3303	3056303	17	47	22.2	21200	12500	9500	14000	0.180
3303 ZZ	3056303 ZZ	17	47	22.2	21200	12500	9500	14000	0.180
3303 2RS	3056303 2RS	17	47	22.2	21200	12500	9500	-	0.180
3304	3056304	20	52	22.2	22100	14300	8500	12000	0.220
3304 ZZ	3056304 ZZ	20	52	22.2	22100	14300	8500	12000	0.220
3304 2RS	3056304 2RS	20	52	22.2	22100	14300	8500	-	0.220
3305	3056305	25	62	25.4	31200	20800	7500	10000	0.350
3305 ZZ	3056305 ZZ	25	62	25.4	31200	20800	7500	10000	0.350
3305 2RS	3056305 2RS	25	62	25.4	31200	20800	7500	-	0.350
3306	3056306	30	72	30.2	41000	28500	6300	8500	0.530
3306 ZZ	3056306 ZZ	30	72	30.2	41000	28500	6300	8500	0.530
3306 2RS	3056306 2RS	30	72	30.2	41000	28500	6300	-	0.530
3307	3056307	35	80	34.9	48800	34000	5600	7500	0.730
3307 ZZ	3056307 ZZ	35	80	34.9	48800	34000	5600	7500	0.730
3307 2RS	3056307 2RS	35	80	34.9	48800	34000	5600	-	0.730
3308	3056308	40	90	36.5	56200	43000	5000	6700	0.950
3308 ZZ	3056308 ZZ	40	90	36.5	56200	43000	5000	6700	0.950

ISO	GOST	Dimensions (mm)			Basic Load Rating (N)		Limiting speed (r/min)		Weight (kg)
		d	D	B	Dyn. C	Stat. C ₀	Lubrication		
							Grease	Oil	
3308 2RS	3056308 2RS	40	90	36.5	56200	43000	5000	-	0.950
3309	3056309	45	100	39.7	72100	73500	4500	6000	1.400
3309 ZZ	3056309 ZZ	45	100	39.7	72100	73500	4500	6000	1.400
3309 2RS	3056309 2RS	45	100	39.7	72100	73500	4500	-	1.400
3310	3056310	50	110	44.4	88000	96500	4000	8300	1.950
3310 ZZ	3056310 ZZ	50	110	44.4	88000	96500	4000	8300	1.950
3310 2RS	3056310 2RS	50	110	44.4	88000	96500	4000	-	1.950
3311	3056311	55	120	49.2	95200	108000	3800	5000	2.550
3311 ZZ	3056311 ZZ	55	120	49.2	95200	108000	3800	5000	2.550
3311 2RS	3056311 2RS	55	120	49.2	95200	108000	3800	-	2.550
3312	3056312	60	130	54	112000	127000	3400	4500	3.250
3312 ZZ	3056312 ZZ	60	130	54	112000	127000	3400	4500	3.250
3312 2RS	3056312 2RS	60	130	54	112000	127000	3400	-	3.250
3313	3056313	65	140	58.7	160000	126000	2700	3400	4.000
3313 ZZ	3056313 ZZ	65	140	58.7	160000	126000	2700	3400	4.000
3313 2RS	3056313 2RS	65	140	58.7	160000	126000	2700	-	4.000
3313 B	3086313	65	140	58.7	160000	126000	2700	-	4.000
3314	3056314	70	150	63.5	161000	130000	2500	3100	4.900
3314 ZZ	3056314 ZZ	70	150	63.5	161000	130000	2500	3100	4.900
3314 2RS	3056314 2RS	70	150	63.5	161000	130000	2500	-	4.900
3315	3056315	75	160	68.3	187000	160000	2400	3000	5.700
3315 ZZ	3056315 ZZ	75	160	68.3	187000	160000	2400	3000	5.700
3315 2RS	3056315 2RS	75	160	68.3	187000	160000	2400	-	5.700
3316	3056316	80	170	68.3	198000	179000	2300	2800	6.950
3316 ZZ	3056316 ZZ	80	170	68.3	198000	179000	2300	2800	6.950
3316 2RS	3056316 2RS	80	170	68.3	198000	179000	2300	-	6.950
3317	3056317	85	180	73	194000	185000	2200	3200	8.300
3317 ZZ	3056317 ZZ	85	180	73	194000	185000	2200	3200	8.300
3317 2RS	3056317 2RS	85	180	73	194000	185000	2200	-	8.300
3318	3056318	90	190	73	220000	220000	2000	3000	9.250
3318 2RS	3056318 2RS	90	190	73	220000	220000	2000	-	9.250
3319	3056319	95	200	77.8	238000	315000	1900	2800	11.00
3319 2RS	3056319 2RS	95	200	77.8	238000	315000	1900	-	11.00
3320	3056320	100	215	82.6	255000	355000	1800	2600	12.50
3320 2RS	3056320 2RS	100	215	82.6	255000	355000	1800	-	12.50
3322	3056322	110	240	92.1	292000	425000	1700	2400	19.00
3800 ZZ	-	10	19	7	2100	1400	22500	29200	0.008
3800 2RS	-	10	19	7	2100	1400	22500	-	0.008
3801 ZZ	-	12	21	7	2190	1550	20000	26000	0.008
3801 2RS	-	12	21	7	2190	1550	20000	-	0.008
3802 ZZ	-	15	24	7	2430	1960	17500	22800	0.009
3802 2RS	-	15	24	7	2430	1960	17500	-	0.009
3803 ZZ	-	17	26	7	2480	2080	15000	19500	0.015
3803 2RS	-	17	26	7	2480	2080	15000	-	0.015
3804 ZZ	-	20	32	10	5600	4850	13000	16900	0.020
3804 2RS	-	20	32	10	5600	4850	13000	-	0.020
3805 ZZ	-	25	37	10	6000	5600	11500	15000	0.025
3805 2RS	-	25	37	10	6000	5600	11500	-	0.025
3806 ZZ	-	30	42	10	6300	6100	10000	13000	0.030
3806 2RS	-	30	42	10	6300	6100	10000	-	0.030
3807 ZZ	-	35	47	10	6700	7000	8500	11000	0.035
3807 2RS	-	35	47	10	6700	7000	8500	-	0.035
3808 ZZ	-	40	52	10	7000	7800	7000	9100	0.040
3808 2RS	-	40	52	10	7000	7800	7000	-	0.040
3809 ZZ	-	45	58	10	7200	8300	6500	8400	0.053
3809 2RS	-	45	58	10	7200	8300	6500	-	0.053
3810 ZZ	-	50	65	12	8700	10400	6000	7800	0.070
3810 2RS	-	50	65	12	8700	10400	6000	-	0.070
3811 ZZ	-	55	72	13	12100	15700	5500	7200	0.090

ISO	GOST	Dimensions (mm)			Basic Load Rating (N)		Limiting speed (r/min)		Weight (kg)
							Lubrication		
		d	D	B	Dyn. C	Stat. C ₀	Grease	Oil	
3811 2RS	-	55	72	13	12100	15700	5500	-	0.090
3812 ZZ	-	60	78	14	14500	17500	5000	6500	0.140
3812 2RS	-	60	78	14	14500	17500	5000	-	0.140
3814 ZZ	-	70	90	15	19200	23800	4400	5700	0.190
3814 2RS	-	70	90	15	19200	23800	4400	-	0.190
3816 ZZ	-	80	100	15	19600	25500	4000	5200	0.230
3816 2RS	-	80	100	15	19600	25500	4000	-	0.230
3818 ZZ	-	90	115	19	27000	35500	3300	4700	0.457
3818 2RS	-	90	115	19	27000	35500	3300	-	0.457
3820 2RS	-	100	125	19	28000	39000	3100	-	0.500

SELF-ALIGNING BALL BEARINGS DOUBLE ROW

Series: 12.. 13.. 22.. 23..



Subject	Symbol	Description
Seal type	2RS	Rubber seals on both sides.
	RS	Rubber seal on one side.
Other technical modifications	K	Tapered bore.
Cage type	M	Brass cage.

Features

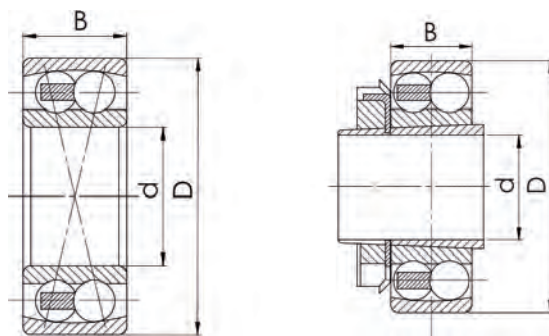
CRAFT bearings recommends Self-Aligning Ball Bearings when the alignment of the shaft and housing is problematic and the shaft may bend. The outer ring has a spherical raceway and its center of curvature coincides with that of the bearing; therefore, the axis of the inner ring, balls and cage can deflect to some extent around the bearing center.

Application

Applied in heavy loading and impact loading, such as precision instruments, low noise machine, automobile, motorcycle, metallurgy, rolling mill, mine, petroleum, paper making, cement, the sugar industry and etc. Self-Aligning Ball Bearings are used for commercial ground shafting applications.

Benefits

- Run cooler even at high speeds;
- Easy mounting and dismounting;
- Have the lowest friction of all rolling bearings;
- Compensates middle error, shaft deformation and housing deformation;
- The permissible operating speed is not dependent on the common criteria like heat generation or cage stability and strength.



Sleeve - H

ISO	GOST	SLEEVE NO.	Dimensions mm			Basic Load Rating (N)		Weight (kg)
			d	D	B	Dyn. C	Stat. C0	
1200	1200	-	10	30	9	5480	1200	0.034
1201	1201	-	12	32	10	5550	1250	0.040
1202	1202	-	15	35	11	7480	1750	0.049
1203	1203	-	17	40	12	7900	2020	0.073
1204	1204	-	20	47	14	9950	2650	0.116
1205	1205	-	25	52	15	12000	3300	0.140
1205 K	111205	H205	25	52	15	12000	3300	0.140
1206	1206	-	30	62	16	15800	4700	0.220
1206 K	111206	H206	30	62	16	15800	4700	0.220
1207	1207	-	35	72	17	15800	5080	0.320
1207 K	111207	H207	35	72	17	15800	5080	0.320
1208	1208	-	40	80	18	19200	6400	0.415
1208 K	111208	H208	40	80	18	19200	6400	0.415
1209	1209	-	45	85	19	21800	7320	0.465
1209 K	111209	H209	45	85	19	21800	7320	0.465
1210	1210	-	50	90	20	22800	8080	0.531
1210 K	111210	H210	50	90	20	22800	8080	0.531
1211	1211	-	55	100	21	26800	10000	0.705
1211 K	111211	H211	55	100	21	26800	10000	0.705
1212	1212	-	60	110	22	30200	11500	0.900
1212 K	111212	H212	60	110	22	30200	11500	0.900
1213	1213	-	65	120	23	31000	12500	1.150
1213 K	111213	H213	65	120	23	31000	12500	1.150
1214	1214	-	70	125	24	34500	13500	1.240
1215	1215	-	75	130	25	38800	15200	1.390
1215 K	111215	H215	75	130	25	38800	15200	1.390
1216	1216	-	80	140	26	39500	16800	1.700
1216 K	111216	H216	80	140	26	39500	16800	1.700
1217	1217	-	85	150	28	48800	20500	2.060
1217 K	111217	H217	85	150	28	48800	20500	2.060
1218	1218	-	90	160	30	56500	23200	2.590
1218 K	111218	H218	90	160	30	56500	23200	2.590
1219	1219	-	95	170	32	63500	27000	3.100
1220	1220	-	100	180	34	67400	28400	3.700
1220 K	111220	H220	100	180	34	67400	28400	3.700
1224	1224	-	120	215	42	117000	51000	6.770
1300	1300	-	10	35	11	7220	1620	0.058
1301	1301	-	12	37	12	9420	2120	0.067
1302	1302	-	15	42	13	9500	2280	0.094
1303	1303	-	17	47	14	12500	3180	0.130
1304	1304	-	20	52	15	12500	3380	0.165
1305	1305	-	25	62	17	17800	5050	0.255
1306	1306	-	30	72	19	21500	6280	0.385

ISO	GOST	SLEEVE NO.	Dimensions mm			Basic Load Rating (N)		Weight (kg)
			d	D	B	Dyn. C	Stat. C0	
1306 K	111306	H306	30	72	19	21500	6280	0.385
1307	1307	-	35	80	21	25000	7950	0.510
1307 K	111307	H307	35	80	21	25000	7950	0.510
1308	1308	-	40	90	23	29500	9500	0.715
1308 K	111308	H308	40	90	23	29500	9500	0.715
1309	1309	-	45	100	25	38000	12800	0.955
1309 K	111309	H309	45	100	25	38000	12800	0.955
1310	1310	-	50	110	27	43200	14200	1.200
1310 K	111310	H310	50	110	27	43200	14200	1.200
1311	1311	-	55	120	29	51500	18200	1.600
1311 K	111311	H311	55	120	29	51500	18200	1.600
1312	1312	-	60	130	31	57200	21200	1.950
1312 K	111312	H312	60	130	31	57200	21200	1.950
1313	1313	-	65	140	33	61800	22800	2.420
1313 K	111313	H313	65	140	33	61800	22800	2.420
1314	1314	-	70	150	35	74500	27500	3.000
1315	1315	-	75	160	37	79000	29800	3.550
1315 K	111315	H315	75	160	37	79000	29800	3.550
1316	1316	-	80	170	39	86700	31400	4.170
1316 K	111316	H316	80	170	39	86700	31400	4.170
1317	1317	-	85	180	41	97800	37800	5.000
1318	1318	-	90	190	43	115000	42000	5.800
1318 K	111318	H318	90	190	43	115000	42000	5.800
1319	1319	-	95	200	45	132000	50800	6.700
1320	1320	-	100	215	47	141000	55000	8.300
1320 K	111320	H320	100	215	47	141000	55000	8.300
1322 K	111322	H322	110	240	50	161000	70000	12.00
2200	1500	-	10	30	14	8000	1800	0.048
2200 2RS	1500	-	10	30	14	8000	1800	0.052
2201	1501	-	12	32	14	8400	1900	0.052
2201 2RS	1501	-	12	32	14	8400	1900	0.056
2202	1502	-	15	35	14	8600	2000	0.056
2202 2RS	1502	-	15	35	14	8600	2000	0.059
2203	1503	-	17	40	16	10400	2500	0.087
2203 2RS	1503	-	17	40	16	10400	2500	0.095
2204	1504	-	20	47	18	16400	4100	0.13
2204 2RS	1504	-	20	47	18	16400	4100	0.138
2204 K	111504	H304	20	47	18	16400	4100	0.13
2205	1505	-	25	52	18	15200	3900	0.160
2205 2RS	1505	-	25	52	18	15200	3900	0.160
2205 K	111505	H305	25	52	18	15200	3900	0.160
2206	1506	-	30	62	20	15200	4600	0.260
2206 2RS	1506	-	30	62	20	15200	4600	0.260
2206 K	111506	H306	30	62	20	15200	4600	0.260
2207	1507	-	35	72	23	21800	6650	0.405
2207 2RS	1507	-	35	72	23	21800	6650	0.405
2207 K	111507	H307	35	72	23	21800	6650	0.405
2208	1508	-	40	80	23	22500	7380	0.505
2208 2RS	1508	-	40	80	23	22500	7380	0.505
2208 K	111508	H308	40	80	23	22500	7380	0.505
2209	1509	-	45	85	23	23200	8000	0.540
2209 2RS	1509	-	45	85	23	23200	8000	0.540
2209 K	111509	H309	45	85	23	23200	8000	0.540
2210	1510	-	50	90	23	23200	8450	0.580
2210 2RS	1510	-	50	90	23	23200	8450	0.580
2210 K	111510	H310	50	90	23	23200	8450	0.580
2211	1511	-	55	100	25	26800	9950	0.800
2211 2RS	1511	-	55	100	25	26800	9950	0.810
2212	1512	-	60	110	28	34000	12500	1.090

ISO	GOST	SLEEVE NO.	Dimensions mm			Basic Load Rating (N)		Weight (kg)
			d	D	B	Dyn. C	Stat. C0	
2212 2RS	1512	-	60	110	28	34000	12500	1.090
2213	1513	-	65	120	31	43500	16200	1.450
2213 2RS	1513	-	65	120	31	43500	16200	1.500
2214	1514	-	70	125	31	44000	17000	1.500
2214 2RS	1514	-	70	125	31	44000	17000	1.580
2215	1515	-	75	130	31	44200	18000	1.600
2215 2RS	1515	-	75	130	31	44200	18000	1.670
2216	1516	-	80	140	33	48800	20200	2.150
2217	1517	-	85	150	36	58200	23500	2.670
2218	1518	-	90	160	40	70000	28500	3.370
2220	1520	-	100	180	46	97200	40500	4.940
2300	1600	-	10	35	17	10000	2100	0.080
2301	1601	-	12	37	17	11400	2600	0.091
2302	1602	-	15	42	17	11800	2800	0.108
2302 2RS	1602	-	15	42	17	11800	2800	0.111
2303	1603	-	17	47	19	14300	3500	0.168
2303 2RS	1603	-	17	47	19	14300	3500	0.171
2304	1604	-	20	52	21	17800	4750	0.210
2304 2RS	1604	-	20	52	21	17800	4750	0.220
2304 K	111604	H2304	20	52	21	17800	4750	0.210
2305	1605	-	25	62	24	24500	6480	0.335
2305 2RS	1605	-	25	62	24	24500	6480	0.354
2305 K	111605	H2305	25	62	24	24500	6480	0.335
2306	1606	-	30	72	27	31500	8680	0.500
2306 2RS	1606	-	30	72	27	31500	8680	0.500
2306 K	111606	H2306	30	72	27	31500	8680	0.500
2307	1607	-	35	80	31	39200	11000	0.675
2307 2RS	1607	-	35	80	31	39200	11000	0.675
2307 K	111607	H2307	35	80	31	39200	11000	0.675
2308	1608	-	40	90	33	44800	13200	0.925
2308 2RS	1608	-	40	90	33	44800	13200	0.925
2308 K	111608	H2308	40	90	33	44800	13200	0.925
2309	1609	-	45	100	36	55000	16200	1.230
2309 2RS	1609	-	45	100	36	55000	16200	1.230
2309 K	111609	H2309	45	100	36	55000	16200	1.230
2310	1610	-	50	110	40	64500	19800	1.630
2310 2RS	1610	-	50	110	40	64500	19800	1.630
2310 K	111610	H2310	50	110	40	64500	19800	1.630
2311	1611	-	55	120	43	75200	23500	2.090
2311 2RS	1611	-	55	120	43	75200	23500	2.120
2311 K	111611	H2311	55	120	43	75200	23500	2.090
2312	1612	-	60	130	46	86800	27500	2.600
2312 2RS	1612	-	60	130	46	86800	27500	2.620
2312 K	111612	H2312	60	130	46	86800	27500	2.600
2313	1613	-	65	140	48	96000	32500	3.200
2314	1614	-	70	150	51	110000	37500	3.920
2315	1615	-	75	160	55	122000	42800	4.780
2316	1616	-	80	170	58	128000	45500	5.650



Subject	Symbol	Description
Cages	M	Solid brass cage.
	-	Steel cage. Is not indicated as a standard.
Other technical modifications	U	Spherical washer.
Tolerances	P0	Normal tolerance level. Is not indicated as a standard.
	P6	Greater tolerance level than P0.

Features

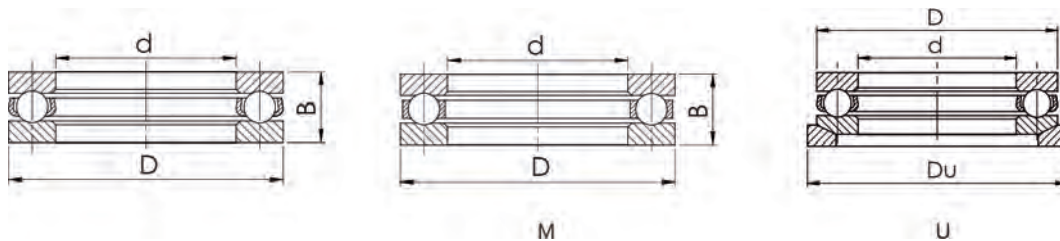
CRAFT bearings thrust ball bearings are design to accommodate large axial load, however they must not be subjected to radial load. Most frequent bearings are single direction thrust ball bearings. During operation these bearings must be constantly subjected to a specific axial load. These bearings can be also combined with spherical rings to cope with small initial misalignments.

Single direction thrust bearings

CRAFT bearings Single Direction Thrust Ball Bearings consist of two flat washers with raceways, balls and cage which are detachable. The washers have a flat seating surface therefore they have to be embedded so that all balls are equally loaded. Bearings only transfer axial loads in one direction.

Cage

Thrust ball bearings have as standard pressed steel cage, where the material and application is not marked. Larger size bearings use massive brass cage to offer more robust solutions.



ISO	GOST	Dimensions (mm)			Basic Load Rating (N)		Limiting speed (r/min)		Weight (kg)
		d	D	B	Dyn. C	Stat. C ₀	Grease	Oil	
51100	8100	10	24	9	10000	14000	7000	9500	0.020
51101	8101	12	26	9	10400	15300	6700	9000	0.022
51102	8102	15	28	9	10600	16600	6300	8500	0.023
51103	8103	17	30	9	11400	19600	6300	8500	0.025
51104	8104	20	35	10	12700	20800	5600	7500	0.038
51105	8105	25	42	11	15900	29000	4800	6300	0.056
51106	8106	30	47	11	16800	33500	4500	6000	0.063
51107	8107	35	52	12	17400	37500	4300	5600	0.080
51108	8108	40	60	13	23400	50000	3800	5000	0.120
51109	8109	45	65	14	24200	57000	3400	4500	0.140
51110	8110	50	70	14	25500	63000	3200	4300	0.160
51111	8111	55	78	16	30700	78000	2800	3800	0.247
51112	8112	60	85	17	36400	93000	2600	3600	0.330
51113	8113	65	90	18	37100	98000	2400	3400	0.359
51114	8114	70	95	18	37700	104000	2400	3400	0.385
51115	8115	75	100	19	44200	137000	2200	3200	0.400
51116	8116	80	105	19	44900	140000	2000	3000	0.420
51117	8117	85	110	19	46200	150000	2000	3000	0.440
51118	8118	90	120	22	59200	190000	1800	2600	0.670
51120	8120	100	135	25	85200	270000	1700	2400	0.970
51122	8122	110	145	25	87100	290000	1600	2200	1.050
51124	8124	120	155	25	88400	310000	1600	2200	1.150
51126	8126	130	170	30	110000	390000	1400	1900	1.850
51128	8128	140	180	31	112000	400000	1300	1800	2.050
51130	8130	150	190	31	112000	400000	1200	1700	2.200
51132	8132	160	200	31	112000	425000	1200	1700	2.350
51134	8134	170	215	34	133000	500000	1100	1600	3.300
51136	8136	180	225	34	135000	530000	1000	1500	3.500
51138	8138	190	240	37	172000	655000	950	1400	4.050
51140	8140	200	250	37	174000	655000	950	1400	4.250
51144	8144	220	270	37	178000	735000	900	1300	4.600
51148	8148	240	300	45	234000	965000	800	1100	7.550
51152	8152	260	320	45	238000	1020000	800	1100	8.100
51156	8156	280	350	53	319000	1460000	700	950	12.00
51160	8160	300	380	62	364000	1760000	630	850	17.50
51164	8164	320	400	63	371000	1860000	600	800	19.00
51168	8168	340	420	64	377000	1960000	600	800	20.00
51172	8172	360	440	65	390000	2000000	560	750	21.80
51176	8176	380	460	65	398000	2180000	550	750	22.75
51180	8180	400	480	65	403000	2250000	520	720	24.20
51200	8200	10	26	11	12700	17000	6000	8000	0.031
51201	8201	12	28	11	13300	19000	6000	8000	0.034
51202	8202	15	32	12	16500	25000	5300	7000	0.046

ISO	GOST	Dimensions (mm)			Basic Load Rating (N)		Limiting speed (r/min)		Weight (kg)
							Lubrication		
		d	D	B	Dyn. C	Stat. C ₀	Grease	Oil	
51203	8203	17	35	12	17200	27500	5000	6700	0.053
51204	8204	20	40	14	22500	37500	4500	6000	0.083
51205	8205	25	47	15	25500	47500	4000	5300	0.110
51206	8206	30	52	16	26700	50000	3600	4800	0.130
51207	8207	35	62	18	35100	67000	3000	4000	0.220
51208	8208	40	68	19	46800	98000	2800	3800	0.280
51209	8209	45	73	20	39000	80000	2600	3600	0.300
51210	8210	50	78	22	49400	106000	2400	3400	0.370
51211	8211	55	90	25	61800	134000	1900	2800	0.590
51212	8212	60	95	26	62400	140000	1900	2800	0.650
51213	8213	65	100	27	63700	150000	1800	2600	0.780
51214	8214	70	105	27	65000	160000	1800	2600	0.790
51215	8215	75	110	27	67600	170000	1700	2400	0.830
51216	8216	80	115	28	76100	190000	1700	2400	0.910
51217	8217	85	125	31	97500	250000	1600	2200	1.200
51218	8218	90	135	35	119000	300000	1500	2000	1.700
51220	8220	100	150	38	124000	320000	1300	1800	2.200
51222	8222	110	160	38	130000	360000	1200	1700	2.400
51224	8224	120	170	39	140000	400000	1100	1600	2.650
51226	8226	130	190	45	186000	540000	950	1400	4.000
51228	8228	140	200	46	190000	570000	950	1400	4.350
51230	8230	150	215	50	238000	735000	900	1300	6.100
51232	8232	160	225	51	242000	780000	850	1200	6.550
51234	8234	170	240	55	286000	930000	800	1100	8.150
51236	8236	180	250	56	296000	1000000	800	1100	8.600
51238	8238	190	270	62	332000	1160000	750	1000	11.700
51240	8240	200	280	62	338000	1220000	750	1000	12.000
51244	8244	220	300	63	351000	1320000	700	950	13.000
51248	8248	240	300	45	462000	1980000	600	800	23.000
51252	8252	260	360	79	470000	2100000	560	780	25.200
51256	8256	280	380	80	492000	2320000	550	750	26.500
51260	8260	300	420	95	605000	2870000	480	630	42.000
51264	8264	320	440	95	610000	2900000	450	600	45.320
51268	8268	340	460	96	612400	3200000	450	600	48.500
51272	8272	360	500	110	741000	4150000	400	530	70.000
51305	8305	25	52	18	34500	55000	3400	4500	0.170
51306	8306	30	60	21	37700	65500	2800	3800	0.260
51307	8307	35	68	24	49400	88000	2400	3400	0.380
51308	8308	40	78	26	61800	112000	2000	3000	0.530
51309	8309	45	85	28	76100	140000	1900	2800	0.660
51310	8310	50	95	31	88400	173000	1800	2600	0.940
51311	8311	55	105	35	104000	208000	1600	2200	1.300
51312	8312	60	110	35	101000	208000	1600	2200	1.350
51313	8313	65	115	36	106000	220000	1500	2000	1.500
51314	8314	70	125	40	135000	300000	1400	1900	2.000
51315	8315	75	135	44	163000	360000	1200	1700	2.600
51316	8316	80	140	44	160000	360000	1200	1700	2.700
51317	8317	85	150	49	190000	425000	1100	1600	3.550
51318	8318	90	155	50	195000	465000	1000	1500	3.800
51320	8320	100	170	55	229000	560000	950	1400	4.950
51322	8322	110	190	63	276000	720000	850	1200	7.850
51324	8324	120	210	70	325000	915000	800	1100	11.000
51326	8326	130	225	75	358000	1060000	750	1000	13.000
51328	8328	140	240	80	397000	1220000	700	950	15.500
51330	8330	150	250	80	410000	1400000	660	900	16.000
51332	8332	160	270	87	449000	1666000	600	850	21.000
51334	8334	170	280	87	468000	1760000	600	800	22.000
51336	8336	180	300	95	520000	2000000	560	750	27.500
51340	8340	200	340	110	620000	2450000	480	630	44.500

ISO	GOST	Dimensions (mm)			Basic Load Rating (N)		Limiting speed (r/min)		Weight (kg)
							Lubrication		
		d	D	B	Dyn. C	Stat. C ₀	Grease	Oil	
51405	8405	25	60	24	55300	90000	2600	3600	0.340
51406	8406	30	70	28	72800	125000	2000	3000	0.520
51407	8407	35	80	32	87100	156000	1800	2600	0.760
51408	8408	40	90	36	112000	204000	1700	2400	1.100
51409	8409	45	100	39	130000	240000	1600	2200	1.400
51410	8410	50	110	43	159000	310000	1500	2000	2.000
51411	8411	55	120	48	178000	360000	1300	1800	2.550
51412	8412	60	130	51	199000	400000	1100	1600	3.100
51413	8413	65	140	56	216000	450000	1000	1500	4.000
51414	8414	70	150	60	234000	500000	950	1400	5.000
51415	8415	75	160	65	251000	560000	900	1400	6.750
51416	8416	80	170	68	270000	620000	850	1200	7.950
51417	8417	85	180	72	286000	680000	850	1200	9.450
51418	8418	90	190	77	307000	750000	800	1100	11.00
51420	8420	100	210	85	371000	965000	700	950	15.00
51422	8422	110	230	95	410000	1220000	630	850	20.00
51424	8424	120	250	102	423000	1320000	600	780	24.20
51426	8426	130	270	110	520000	1700000	560	750	32.00
51428	8428	140	280	112	520000	1700000	500	700	34.50

SPHERICAL ROLLER BEARINGS
Series: 222.. 223.. 230.. 231.. 232..



Subject	Symbol	Description
Radial internal clearance	C2	Less than normal.
	CN	Normal clearance. Is not indicated as a standard.
	C3	Greater clearance than normal.
	C4	Greater than C3.
	C5	Greater than C4.
Other technical modifications	W33	All bearings are equipped with an annular groove and three lubrication holes in the outer ring.
	K	Tapered bore.
Cage types	C	Steel cage with two stamped window-type steel cages, an inner ring without flanges and a floating guide ring centered on the inner ring.
	CA	Machined brass cage with retaining flanges on the inner ring, guide ring centred on the inner ring.
	MB	Split brass cage, centered on the inner ring. There are hard board in the center and two boards in the outer sides.
Tolerances	P0	Normal tolerance level. Is not indicated as a standard.
	P6	Greater tolerance level than P0.
	P5	Greater tolerance level than P6.

Features

Spherical roller bearings are bearings for the most severe fields of application and contain two rows of symmetrical barrel rollers which set freely in the hollow-spherical outer raceway. These kind bearings offer an unequalled combination of high load capacity, high tolerance to shock loads, and self-aligning ability but they are limited by speed. The center point of the sphere in the outer ring raceway is at the bearing axis. These bearings can be mounted directly on the shaft or with the help of the adapter sleeve (indicated together with H series) or withdrawal sleeves (indicated with AH series). The standard versions of spherical roller bearings are supplied only with sheet-metal or brass cage.

Radial internal clearance

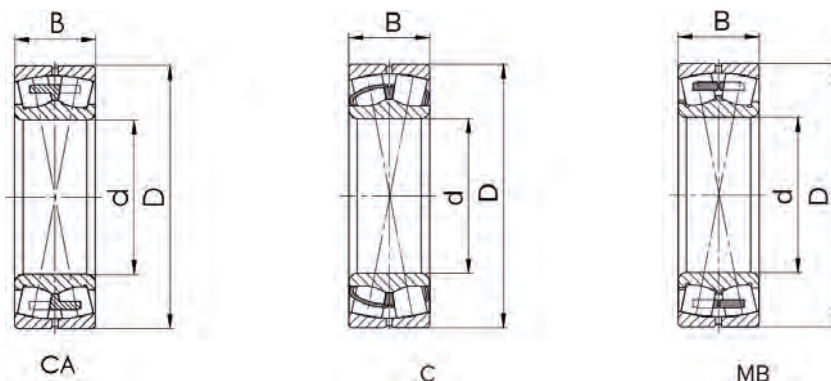
CRAFT bearings spherical roller bearings are produced as standard with normal radial internal clearance and most are also available with a greater C3 clearance. Many bearings can also be supplied with a smaller C2 clearance or the much greater C4 or C5 clearances. CRAFT bearings spherical roller bearings for vibratory applications are produced as standard with C4 clearance. The clearance limits are in accordance with ISO 5753:1 and are valid for bearings before mounting under zero measuring load.

Lubrication

CRAFT bearings spherical roller bearings are not sealed and are not greased, they can be lubricated using grease. The outer ring of spherical roller bearings are made with lubrication holes and a groove for feeding lubricant. The outer ring may also be configured with oil holes only depending on fitting, mounting.

Inner ring bore

Spherical roller bearings are produced with a cylindrical or a tapered bore. Bearings with tapered bore are mounted directly to a tapered pivot or to a cylindrical pivot using adapter sleeves.



ISO	GOST	SLEEVE NO.	Dimensions (mm)			Basic Load Rating (N)		Limiting speed (r/min)		Weight (kg)
			d	D	B	Dyn. C	Stat. C ₀	Lubrication		
								Grease	Oil	
22205 CW33	53505 H	-	25	52	18	35800	36800	8000	10000	0.174
22205 KCW33	153505 H	H305	25	52	18	35800	36800	8000	10000	0.169
22205 KMBW33	113505 H	H305	25	52	18	35800	36800	8000	10000	0.170
22205 MBW33	3505 H	-	25	52	18	35800	36800	8000	10000	0.178
22205 CAW33	3505 H	-	25	52	18	35800	36800	8000	10000	0.178
22206 CW33	53506 H	-	30	62	20	50500	55000	6700	8500	0.270
22206 KCW33	153506 H	H306	30	62	20	50500	55000	6700	8500	0.260
22206 KMBW33	113506 H	H306	30	62	20	50500	55000	6700	8500	0.269
22206 MBW33	3506 H	-	30	62	20	50500	55000	6700	8500	0.272
22206 CAW33	3506 H	-	30	62	20	50500	55000	6700	8500	0.272
22207 CW33	53507 H	-	35	72	23	66500	76000	5300	6700	0.410
22207 KCW33	153507 H	H307	35	72	23	66500	76000	5300	6700	0.397
22207 KMBW33	113507 H	H307	35	72	23	66500	76000	5300	6700	0.406
22207 MBW33	3507 H	-	35	72	23	66500	76000	5300	6700	0.430
22207 CAW33	3507 H	-	35	72	23	66500	76000	5300	6700	0.430
22208 CW33	53508 H	-	40	80	23	78500	90800	5000	6000	0.520
22208 KCW33	153508 H	H308	40	80	23	78500	90800	5000	6000	0.493
22208 KMBW33	113508 H	H308	40	80	23	78500	90800	5000	6000	0.506
22208 MBW33	3508 H	-	40	80	23	78500	90800	5000	6000	0.540
22208 CAW33	3508 H	-	40	80	23	78500	90800	5000	6000	0.540
22209 CW33	53509 H	-	45	85	23	82000	97500	4500	5600	0.564
22209 KCW33	153509 H	H309	45	85	23	82000	97500	4500	5600	0.551
22209 KMBW33	113509 H	H309	45	85	23	82000	97500	4500	5600	0.571
22209 MBW33	3509 H	-	45	85	23	82000	97500	4500	5600	0.580
22209 CAW33	3509 H	-	45	85	23	82000	97500	4500	5600	0.580
22210 CW33	53510 H	-	50	90	23	84500	105000	4000	5000	0.618
22210 KCW33	153510 H	H310	50	90	23	84500	105000	4000	5000	0.610
22210 KMBW33	113510 H	H310	50	90	23	84500	105000	4000	5000	0.612
22210 MBW33	3510 H	-	50	90	23	84500	105000	4000	5000	0.620
22210 CAW33	3510 H	-	50	90	23	84500	105000	4000	5000	0.620
22211 CW33	53511 H	-	55	100	25	102000	125000	3600	4500	0.840
22211 KCW33	153511 H	H311	55	100	25	102000	125000	3600	4500	0.820
22211 KMBW33	113511 H	H311	55	100	25	102000	125000	3600	4500	0.840
22211 MBW33	3511 H	-	55	100	25	102000	125000	3600	4500	0.852
22211 CAW33	3511 H	-	55	100	25	102000	125000	3600	4500	0.852
22212 CW33	53512 H	-	60	110	28	122000	155000	3200	4000	1.114
22212 KCW33	153512 H	H312	60	110	28	122000	155000	3200	4000	1.088
22212 KMBW33	113512 H	H312	60	110	28	122000	155000	3200	4000	1.120
22212 MBW33	3512 H	-	60	110	28	122000	155000	3200	4000	1.126
22212 CAW33	3512 H	-	60	110	28	122000	155000	3200	4000	1.126
22213 CW33	53513 H	-	65	120	31	150000	195000	2800	3600	1.550
22213 KCW33	153513 H	H313	65	120	31	150000	195000	2800	3600	1.500
22213 KMBW33	113513 H	H313	65	120	31	150000	195000	2800	3600	1.526

ISO	GOST	SLEEVE NO.	Dimensions (mm)			Basic Load Rating (N)		Limiting speed (r/min)		Weight (kg)
			d	D	B	Dyn. C	Stat. C ₀	Lubrication		
								Grease	Oil	
22213 MBW33	3513 H	-	65	120	31	150000	195000	2800	3600	1.560
22213 CAW33	3513 H	-	65	120	31	150000	195000	2800	3600	1.560
22214 CW33	53514 H	-	70	125	31	158000	205000	2600	3400	1.584
22214 KCW33	153514 H	H314	70	125	31	158000	205000	2600	3400	1.552
22214 KMBW33	113514 H	H314	70	125	31	158000	205000	2600	3400	1.591
22214 MBW33	3514 H	-	70	125	31	158000	205000	2600	3400	1.602
22214 CAW33	3514 H	-	70	125	31	158000	205000	2600	3400	1.602
22215 CW33	53515 H	-	75	130	31	162000	215000	2400	3200	1.610
22215 KCW33	153515 H	H315	75	130	31	162000	215000	2400	3200	1.580
22215 KMBW33	113515 H	H315	75	130	31	162000	215000	2400	3200	1.697
22215 MBW33	3515 H	-	75	130	31	162000	215000	2400	3200	1.704
22215 CAW33	3515 H	-	75	130	31	162000	215000	2400	3200	1.704
22216 CW33	53516 H	-	80	140	33	175000	238000	2200	3000	2.058
22216 KCW33	153516 H	H316	80	140	33	175000	238000	2200	3000	2.000
22216 KMBW33	113516 H	H316	80	140	33	175000	238000	2200	3000	2.050
22216 MBW33	3516 H	-	80	140	33	175000	238000	2200	3000	2.120
22216 CAW33	3516 H	-	80	140	33	175000	238000	2200	3000	2.120
22217 CW33	53517 H	-	85	150	36	210000	278000	2000	2800	2.470
22217 KCW33	153517 H	H317	85	150	36	210000	278000	2000	2800	2.451
22217 KMBW33	113517 H	H317	85	150	36	210000	278000	2000	2800	2.647
22217 MBW33	3517 H	-	85	150	36	210000	278000	2000	2800	2.662
22217 CAW33	3517 H	-	85	150	36	210000	278000	2000	2800	2.662
22218 CW33	53518 H	-	90	160	40	240000	322000	1900	2600	3.344
22218 KCW33	153518 H	H318	90	160	40	240000	322000	1900	2600	3.236
22218 KMBW33	113518 H	H318	90	160	40	240000	322000	1900	2600	3.364
22218 MBW33	3518 H	-	90	160	40	240000	322000	1900	2600	3.482
22218 CAW33	3518 H	-	90	160	40	240000	322000	1900	2600	3.482
22219 CW33	53519 H	-	95	170	43	278000	380000	1900	2600	4.000
22219 KCW33	153519 H	H319	95	170	43	278000	380000	1900	2600	3.890
22219 KMBW33	113519 H	H319	95	170	43	278000	380000	1900	2600	3.947
22219 MBW33	3519 H	-	95	170	43	278000	380000	1900	2600	4.100
22219 CAW33	3519 H	-	95	170	43	278000	380000	1900	2600	4.100
22220 CW33	53520 H	-	100	180	46	310000	425000	1800	2400	4.894
22220 KCW33	153520 H	H320	100	180	46	310000	425000	1800	2400	4.746
22220 KMBW33	113520 H	H320	100	180	46	310000	425000	1800	2400	4.888
22220 MBW33	3520 H	-	100	180	46	310000	425000	1800	2400	4.988
22220 CAW33	3520 H	-	100	180	46	310000	425000	1800	2400	4.988
22222 CW33	53522 H	-	110	200	53	405000	575000	1700	2200	7.100
22222 KCW33	153522 H	H322	110	200	53	405000	575000	1700	2200	6.994
22222 KMBW33	113522 H	H322	110	200	53	405000	575000	1700	2200	7.000
22222 MBW33	3522 H	-	110	200	53	405000	575000	1700	2200	7.136
22222 CAW33	3522 H	-	110	200	53	405000	575000	1700	2200	7.136
22224 CW33	53524 H	-	120	215	58	470000	678000	1600	2000	8.752
22224 KCW33	153524 H	H3134	120	215	58	470000	678000	1600	2000	8.630
22224 KMBW33	113524 H	H3124	120	215	58	470000	678000	1600	2000	8.480
22224 MBW33	3524 H	-	120	215	58	470000	678000	1600	2000	8.842
22224 CAW33	3524 H	-	120	215	58	470000	678000	1600	2000	8.842
22226 CW33	53526 H	-	130	230	64	550000	810000	1400	1800	10.40
22226 KMBW33	113526 H	H3126	130	230	64	550000	810000	1400	1800	10.89
22226 MBW33	3526 H	-	130	230	64	550000	810000	1400	1800	11.00
22226 CAW33	3526 H	-	130	230	64	550000	810000	1400	1800	11.00
22228 CW33	53528 H	-	140	250	68	628000	930000	1300	1700	13.99
22228 KMBW33	113528 H	H3128	140	250	68	628000	930000	1300	1700	13.68
22228 MBW33	3528 H	-	140	250	68	628000	930000	1300	1700	14.00
22228 CAW33	3528 H	-	140	250	68	628000	930000	1300	1700	14.00
22230 CW33	53530 H	-	150	270	73	738000	1100000	1200	1600	17.27
22230 KMBW33	113530 H	H3130	150	270	73	738000	1100000	1200	1600	17.36
22230 MBW33	3530 H	-	150	270	73	738000	1100000	1200	1600	17.72
22230 CAW33	3530 H	-	150	270	73	738000	1100000	1200	1600	17.72

ISO	GOST	SLEEVE NO.	Dimensions (mm)			Basic Load Rating (N)		Limiting speed (r/min)		Weight (kg)
			d	D	B	Dyn. C	Stat. C ₀	Lubrication		
								Grease	Oil	
22232 KMBW33	113532 H	H3132	160	290	80	825000	1250000	1000	1400	21.92
22232 MBW33	3532 H	-	160	290	80	825000	1250000	1000	1400	22.00
22232 CAW33	3532 H	-	160	290	80	825000	1250000	1000	1400	22.00
22234 KMBW33	113534 H	H3134	170	310	86	720000	1300000	850	1100	27.00
22234 MBW33	3534 H	-	170	310	86	720000	1300000	850	1100	28.00
22234 CAW33	3534 H	-	170	310	86	720000	1300000	850	1100	28.00
22236 KMBW33	113536 H	H3136	180	320	86	735000	1370000	800	1000	27.00
22236 MBW33	3536 H	-	180	320	86	735000	1370000	800	1000	28.00
22236 CAW33	3536 H	-	180	320	86	735000	1370000	800	1000	28.00
22238 KMBW33	113538 H	H3138	190	340	92	818000	1510000	750	950	36.80
22238 MBW33	3538 H	-	190	340	92	818000	1510000	750	950	37.00
22238 CAW33	3538 H	-	190	340	92	818000	1510000	750	950	37.00
22240 KMBW33	113540 H	H3140	200	360	98	920000	1740000	700	900	42.50
22240 MBW33	3540 H	-	200	360	98	920000	1740000	700	900	43.00
22240 CAW33	3540 H	-	200	360	98	920000	1740000	700	900	43.00
22244 KMBW33	113544 H	H3144	220	400	108	1170000	2220000	630	800	58.00
22244 MBW33	3544 H	-	220	400	108	1170000	2220000	630	800	59.00
22244 CAW33	3544 H	-	220	400	108	1170000	2220000	630	800	59.00
22248 MBW33	3548 H	-	240	440	120	1900000	2980000	890	1180	83.00
22248 CAW33	3548 H	-	240	440	120	1900000	2980000	890	1180	83.00
22252 MBW33	3552 H	-	260	480	130	2270000	3470000	820	1040	103.00
22252 CAW33	3552 H	-	260	480	130	2270000	3470000	820	1040	103.00
22256 MBW33	3556 H	-	280	500	130	1690000	3380000	500	630	109.00
22256 CAW33	3556 H	-	280	500	130	1690000	3380000	500	630	109.00
22308 CW33	53608 H	-	40	90	33	120000	138000	4300	5300	0.994
22308 KCW33	153608 H	H2308	40	90	33	120000	138000	4300	5300	0.978
22308 KMBW33	113608 H	H2308	40	90	33	120000	138000	4300	5300	1.000
22308 MBW33	3608 H	-	40	90	33	120000	138000	4300	5300	1.010
22308 CAW33	3608 H	-	40	90	33	120000	138000	4300	5300	1.010
22309 CW33	53609 H	-	45	100	36	142000	170000	3800	4800	1.340
22309 KCW33	153609 H	H2309	45	100	36	142000	170000	3800	4800	1.332
22309 KMBW33	113609 H	H2309	45	100	36	142000	170000	3800	4800	1.368
22309 MBW33	3609 H	-	45	100	36	142000	170000	3800	4800	1.374
22309 CAW33	3609 H	-	45	100	36	142000	170000	3800	4800	1.374
22310 CW33	53610 H	-	50	110	40	175000	210000	3400	4300	1.780
22310 KCW33	153610 H	H2310	50	110	40	175000	210000	3400	4300	1.760
22310 KMBW33	113610 H	H2310	50	110	40	175000	210000	3400	4300	1.820
22310 MBW33	3610 H	-	50	110	40	175000	210000	3400	4300	1.850
22310 CAW33	3610 H	-	50	110	40	175000	210000	3400	4300	1.850
22311 CW33	53611 H	-	55	120	43	208000	250000	3000	3800	2.250
22311 KCW33	153611 H	H2311	55	120	43	208000	250000	3000	3800	2.234
22311 KMBW33	113611 H	H2311	55	120	43	208000	250000	3000	3800	2.260
22311 MBW33	3611 H	-	55	120	43	208000	250000	3000	3800	2.310
22311 CAW33	3611 H	-	55	120	43	208000	250000	3000	3800	2.310
22312 CW33	53612 H	-	60	130	46	238000	285000	2800	3600	2.788
22312 KCW33	153612 H	H2312	60	130	46	238000	285000	2800	3600	2.721
22312 KMBW33	113612 H	H2312	60	130	46	238000	285000	2800	3600	2.772
22312 MBW33	3612 H	-	60	130	46	238000	285000	2800	3600	2.860
22312 CAW33	3612 H	-	60	130	46	238000	285000	2800	3600	2.860
22313 CW33	53613 H	-	65	140	48	260000	315000	2400	3200	3.520
22313 KCW33	153613 H	H2313	65	140	48	260000	315000	2400	3200	3.412
22313 KMBW33	113613 H	H2313	65	140	48	260000	315000	2400	3200	3.420
22313 MBW33	3613 H	-	65	140	48	260000	315000	2400	3200	3.468
22313 CAW33	3613 H	-	65	140	48	260000	315000	2400	3200	3.468
22314 CW33	53614 H	-	70	150	51	292000	362000	2200	3000	4.206
22314 KCW33	153614 H	H2314	70	150	51	292000	362000	2200	3000	4.190
22314 KMBW33	113614 H	H2314	70	150	51	292000	362000	2200	3000	4.204
22314 MBW33	3614 H	-	70	150	51	292000	362000	2200	3000	4.280
22314 CAW33	3614 H	-	70	150	51	292000	362000	2200	3000	4.280

ISO	GOST	SLEEVE NO.	Dimensions (mm)			Basic Load Rating (N)		Limiting speed (r/min)		Weight (kg)
			d	D	B	Dyn. C	Stat. C ₀	Lubrication		
								Grease	Oil	
22315 CW33	53615 H	-	75	160	55	342000	438000	2000	2800	5.08
22315 KCW33	153615 H	H2315	75	160	55	342000	438000	2000	2800	5.031
22315 KMBW33	113615 H	H2315	75	160	55	342000	438000	2000	2800	5.052
22315 MBW33	3615 H	-	75	160	55	342000	438000	2000	2800	5.220
22315 CAW33	3615 H	-	75	160	55	342000	438000	2000	2800	5.220
22316 CW33	53616 H	-	80	170	58	385000	498000	1900	2600	6.090
22316 KCW33	153616 H	H2316	80	170	58	385000	498000	1900	2600	6.012
22316 KMBW33	113616 H	H2316	80	170	58	385000	498000	1900	2600	6.120
22316 MBW33	3616 H	-	80	170	58	385000	498000	1900	2600	6.130
22316 CAW33	3616 H	-	80	170	58	385000	498000	1900	2600	6.130
22317 CW33	53617 H	-	85	180	60	420000	540000	1800	2400	6.840
22317 KCW33	153617 H	H2317	85	180	60	420000	540000	1800	2400	6.776
22317 KMBW33	113617 H	H2317	85	180	60	420000	540000	1800	2400	6.780
22317 MBW33	3617 H	-	85	180	60	420000	540000	1800	2400	6.942
22317 CAW33	3617 H	-	85	180	60	420000	540000	1800	2400	6.942
22318 CW33	53618 H	-	90	190	64	475000	622000	1800	2400	8.392
22318 KCW33	153618 H	H2318	90	190	64	475000	622000	1800	2400	8.201
22318 KMBW33	113618 H	H2318	90	190	64	475000	622000	1800	2400	8.388
22318 MBW33	3618 H	-	90	190	64	475000	622000	1800	2400	8.552
22318 CAW33	3618 H	-	90	190	64	475000	622000	1800	2400	8.552
22319 CW33	53619 H	-	95	200	67	520000	688000	1700	2200	9.964
22319 KCW33	153619 H	H2319	95	200	67	520000	688000	1700	2200	9.210
22319 KMBW33	113619 H	H2319	95	200	67	520000	688000	1700	2200	9.872
22319 MBW33	3619 H	-	95	200	67	520000	688000	1700	2200	9.998
22319 CAW33	3619 H	-	95	200	67	520000	688000	1700	2200	9.998
22320 CW33	53620 H	-	100	215	73	608000	815000	1400	1800	12.36
22320 KCW33	153620 H	H2320	100	215	73	608000	815000	1400	1800	11.87
22320 KMBW33	113620 H	H2320	100	215	73	608000	815000	1400	1800	12.62
22320 MBW33	3620 H	-	100	215	73	608000	815000	1400	1800	12.71
22320 CAW33	3620 H	-	100	215	73	608000	815000	1400	1800	12.71
22322 KMBW33	113622 H	H2322	110	240	80	695000	935000	1500	1900	17.27
22322 MBW33	3622 H	-	110	240	80	695000	935000	1500	1900	17.34
22322 CAW33	3622 H	-	110	240	80	695000	935000	1500	1900	17.34
22324 KMBW33	113624 H	H2324	120	260	86	822000	1120000	1300	1700	21.00
22324 MBW33	3624 H	-	120	260	86	822000	1120000	1300	1700	22.00
22324 CAW33	3624 H	-	120	260	86	822000	1120000	1300	1700	22.00
22326 KMBW33	113626 H	H2326	130	280	93	942000	1300000	1200	1600	27.00
22326 MBW33	3626 H	-	130	280	93	942000	1300000	1200	1600	28.50
22326 CAW33	3626 H	-	130	280	93	942000	1300000	1200	1600	28.50
22328 KMBW33	113628 H	H2328	140	300	102	1110000	1570000	1100	1500	33.80
22328 MBW33	3628 H	-	140	300	102	1110000	1570000	1100	1500	34.50
22328 CAW33	3628 H	-	140	300	102	1110000	1570000	1100	1500	34.50
22330 KMBW33	113630 H	H2330	150	320	108	1020000	1740000	850	1100	40.60
22330 MBW33	3630 H	-	150	320	108	1020000	1740000	850	1100	41.50
22330 CAW33	3630 H	-	150	320	108	1020000	1740000	850	1100	41.50
22332 KMBW33	113632 H	H2332	160	340	114	1040000	1770000	800	1000	48.00
22332 MBW33	3632 H	-	160	340	114	1040000	1770000	800	1000	50.00
22332 CAW33	3632 H	-	160	340	114	1040000	1770000	800	1000	50.00
22334 KMBW33	113634 H	H2334	170	360	120	1150000	2060000	750	950	58.50
22334 MBW33	3634 H	-	170	360	120	1150000	2060000	750	950	59.00
22334 CAW33	3634 H	-	170	360	120	1150000	2060000	750	950	59.00
22336 KMBW33	113636 H	H2336	180	380	126	1260000	2270000	700	900	68.50
22336 MBW33	3636 H	-	180	380	126	1260000	2270000	700	900	70.00
22336 CAW33	3636 H	-	180	380	126	1260000	2270000	700	900	70.00
22338 KMBW33	113638 H	H2338	190	400	132	1390000	2530000	670	850	79.40
22338 MBW33	3638 H	-	190	400	132	1390000	2530000	670	850	80.00
22338 CAW33	3638 H	-	190	400	132	1390000	2530000	670	850	80.00
22340 KMBW33	113640 H	H2340	200	420	138	1490000	2720000	630	800	91.40
22340 MBW33	3640 H	-	200	420	138	1490000	2720000	630	800	93.00

ISO	GOST	SLEEVE NO.	Dimensions (mm)			Basic Load Rating (N)		Limiting speed (r/min)		Weight (kg)
			d	D	B	Dyn. C	Stat. C ₀	Lubrication		
								Grease	Oil	
22340 CAW33	3640 H	-	200	420	138	1490000	2720000	630	800	93.00
22344 KMBW33	113644 H	H2344	220	460	145	1690000	3200000	560	700	115.00
22344 MBW33	3644 H	-	220	460	145	1690000	3200000	560	700	117.00
22344 CAW33	3644 H	-	220	460	145	1690000	3200000	560	700	117.00
22352 MBW33	3652 H	-	260	540	165	2200000	4190000	480	600	187.00
22352 CAW33	3652 H	-	260	540	165	2200000	4190000	480	600	187.00
22356 MBW33	3656 H	-	280	580	175	2420000	4650000	450	560	229.00
22356 CAW33	3656 H	-	280	580	175	2420000	4650000	450	560	229.00
22380 MBW33	3680 H	-	400	820	243	4530000	9290000	240	320	653.00
22380 CAW33	3680 H	-	400	820	243	4530000	9290000	240	320	653.00
23030 MBW33	3003130 H		150	225	56	438000	762000	1100	1400	7.818
23030 CAW33	3003130 H		150	225	56	438000	762000	1100	1400	7.818
23032 MBW33	3003132 H		160	240	60	500000	875000	1000	1300	9.520
23032 CAW33	3003132 H		160	240	60	500000	875000	1000	1300	9.520
23034 MBW33	3003134 H		170	260	67	608000	1080000	900	1200	13.29
23034 CAW33	3003134 H		170	260	67	608000	1080000	900	1200	13.29
23036 MBW33	3003136 H		180	280	74	710000	1260000	800	1000	17.36
23036 CAW33	3003136 H		180	280	74	710000	1260000	800	1000	17.36
23038 MBW33	3003138 H		190	290	75	745000	1350000	800	1000	17.76
23038 CAW33	3003138 H		190	290	75	745000	1350000	800	1000	17.76
23040 MBW33	3003140 H		200	310	82	580000	1310000	670	850	23.59
23040 CAW33	3003140 H		200	310	82	580000	1310000	670	850	23.59
23044 MBW33	3003144 H		220	340	90	633000	171000	670	850	30.50
23044 CAW33	3003144 H		220	340	90	633000	171000	670	850	30.50
23048 MBW33	3003148 H		240	360	92	792000	2060000	530	670	33.00
23048 CAW33	3003148 H		240	360	92	792000	2060000	530	670	33.00
23052 MBW33	3003152 H		260	400	104	1000000	2450000	500	630	47.00
23052 CAW33	3003152 H		260	400	104	1000000	2450000	500	630	47.00
23056 MBW33	3003156 H		280	420	106	1080000	2680000	450	560	51.00
23056 CAW33	3003156 H		280	420	106	1080000	2680000	450	560	51.00
23060 MBW33	3003160 H		300	460	118	1860000	3690000	670	850	71.00
23060 CAW33	3003160 H		300	460	118	1860000	3690000	670	850	71.00
23064 MBW33	3003164 H		320	480	121	1380000	3260000	400	500	77.00
23064 CAW33	3003164 H		320	480	121	1380000	3260000	400	500	77.00
23068 MBW33	3003168 H		340	520	133	1580000	3810000	380	480	109.00
23068 CAW33	3003168 H		340	520	133	1580000	3810000	380	480	109.00
23120 MBW33	3003720 H		100	165	52	320000	505000	1600	2000	4.480
23120 CAW33	3003720 H		100	165	52	320000	505000	1600	2000	4.480
23122 MBW33	3003722 H		110	180	56	375000	595000	1300	1700	5.471
23122 CAW33	3003722 H		110	180	56	375000	595000	1300	1700	5.471
23220 MBW33	3003220 H		100	180	60.3	415000	618000	1600	2000	6.624
23220 CAW33	3003220 H		100	180	60.3	415000	618000	1600	2000	6.624
23244 MBW33	3003244 H		220	400	144	2070000	3620000	670	900	79.00
23244 CAW33	3003244 H		220	400	144	2070000	3620000	670	900	79.00
23264 MBW33	3003264 H		320	580	208	3760000	6570000	480	610	241.00
23264 CAW33	3003264 H		320	580	208	3760000	6570000	480	610	241.00



Subject	Symbol	Description
Other technical modifications	B	ISO bearing with same boundary dimensions as basic part number, but with different internal geometry, steeper angle.
	X	Boundary dimensions altered to conform to ISO standards.
Tolerances	P0	Normal tolerance level. Is not indicated as a standard.
	P6	Greater tolerance level than P0.
	P5	Greater tolerance level than P6.

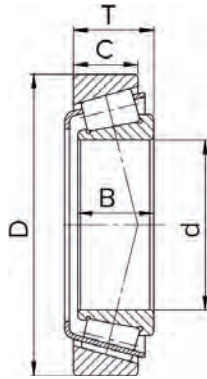
Features

CRAFT bearings specializes in producing single row metric series tapered roller bearings. Designations are used according to widely accepted standards and relates to ISO 355 rules for contact angles and boundary dimensions. Unless otherwise specified, bearings dimensional accuracy is normal, however, improved running accuracy is available.

These bearings consist of four main components: cup, cone, cage and rollers. The components are conically shaped thus providing ability to accommodate one direction axial and radial loads, while cage separates and holds the rollers. Different contact angles are available in order to provide better load or speed characteristics. During operation under normal conditions with minimum radial load ensured, bearing itself generates axial load from internal contact angle of the bearing.

Cages

Tapered roller bearings have window-type pressed steel cage with no marking. Others types might be specifically designed on request.



ISO	GOST	Dimensions (mm)					Basic Load Rating (N)		Limiting speed (r/min)		Weight (kg)
		d	D	B	T	C	Dyn. C	Stat. C ₀	Lubrication		
									Grease	Oil	
30202	7202	15	35	11	11.75	10	12500	11800	15000	20000	0.057
30203	7203	17	40	12	13.25	11	19000	18600	9000	13000	0.075
30204	7204	20	47	14	15.25	12	27500	28000	8000	11000	0.120
30205	7205	25	52	15	16.25	13	30800	33500	7500	10000	0.150
30206	7206	30	62	16	17.25	14	40200	44000	6300	8500	0.230
30207	7207	35	72	17	18.25	15	51200	56000	5300	7000	0.320
30208	7208	40	80	18	19.75	16	61600	68000	4800	6300	0.420
30209	7209	45	85	19	20.75	16	66000	76500	4500	6000	0.480
30210	7210	50	90	20	21.75	17	76500	91500	4300	5600	0.540
30211	7211	55	100	21	22.75	18	89700	106000	3800	5000	0.700
30212	7212	60	110	22	23.75	19	99000	114000	3400	4500	0.880
30213	7213	65	120	23	24.75	20	114000	134000	3000	4000	1.150
30214	7214	70	125	24	26.25	21	125000	156000	3000	4000	1.250
30215	7215	75	130	25	27.25	22	140000	176000	2800	3800	1.400
30216	7216	80	140	26	28.25	22	151000	183000	2400	3400	1.600
30217	7217	85	150	28	30.50	24	176000	220000	2200	3200	2.050
30218	7218	90	160	30	32.5	26	194000	245000	2000	3000	2.550
30219	7219	95	170	32	34.5	27	216000	275000	1900	2800	3.000
30220	7220	100	180	34	37	29	246000	320000	1900	2800	3.650
30221	7221	105	190	36	39	30	270000	355000	1800	2600	4.250
30222	7222	110	200	38	41	32	308000	405000	1700	2400	5.100
30224	7224	120	215	40	43.5	34	341000	465000	1600	2200	6.150
30226	7226	130	230	40	43.75	34	369000	490000	1500	2000	7.600
30228	7228	140	250	42	45.75	36	418000	570000	1400	1900	8.650
30230	7230	150	270	45	49	38	429000	590000	1300	1800	11.00
30232	7232	160	290	48	52	40	528000	735000	1100	1600	13.00
30234	7234	170	310	52	57	43	590000	810000	1000	1500	19.00
30236	7236	180	320	52	57	43	610000	850000	1000	1500	20.00
30238	7238	190	340	55	60	46	721000	1000000	950	1400	24.00
30240	7240	200	360	58	64	48	792000	1120000	900	1300	25.00
30302	7302	15	42	13	14.25	11	22400	20000	9000	13000	0.095
30303	7303	17	47	14	15.25	12	28100	25000	8500	12000	0.130
30304	7304	20	52	15	16.25	13	34100	32500	8000	11000	0.170
30305	7305	25	62	17	18.25	15	44600	43000	6700	9000	0.260
30306	7306	30	72	19	20.75	16	56100	56000	5600	7500	0.390
30307	7307	35	80	21	22.75	18	72100	73500	5000	6700	0.520
30308	7308	40	90	23	25.25	20	85800	95000	4500	6000	0.720
30309	7309	45	100	25	27.25	22	108000	120000	4000	5300	0.970
30310	7310	50	110	27	29.25	23	125000	140000	3600	4800	1.250
30311	7311	55	120	29	31.5	25	142000	163000	3200	4300	1.550
30312	7312	60	130	31	33.5	26	168000	196000	3000	4000	1.950
30313	7313	65	140	33	36	28	194000	228000	2600	3600	2.400
30314	7314	70	150	35	38	30	220000	260000	2400	3400	2.900

ISO	GOST	Dimensions (mm)					Basic Load Rating (N)		Limiting speed (r/min)		Weight (kg)
		d	D	B	T	C	Dyn. C	Stat. C ₀	Lubrication		
									Grease	Oil	
30315	7315	75	160	37	40	31	246000	290000	2200	3200	3.450
30316	7316	80	170	39	42.5	33	270000	320000	2000	3000	4.100
30317	7317	85	180	41	44.5	34	303000	365000	1900	2800	4.850
30318	7318	90	190	43	46.5	36	330000	400000	1800	2600	5.650
30319	7319	95	200	45	49.5	38	360000	440000	1800	2600	6.700
30320	7320	100	215	47	51.5	39	402000	490000	1700	2400	8.050
30321	7321	105	225	49	53.5	41	429000	530000	1600	2200	9.150
30322	7322	110	240	50	54.5	42	473000	585000	1550	2100	11.00
30324	7324	120	260	55	59.5	46	561000	710000	1500	2000	14.00
30326	7326	130	280	58	63.75	49	639000	864000	1300	1800	17.10
30328	7328	140	300	62	67.75	53	721000	985000	1200	1700	21.70
30330	7330	150	320	65	72	55	825000	1060000	1100	1600	28.50
30332	7332	160	340	68	75	58	913000	1180000	1100	1600	29.00
30334	7334	170	360	72	80	62	1020000	1340000	950	1400	35.00
31305	27305	25	62	17	18.25	13	38000	40000	5600	7500	0.260
31306	27306	30	72	19	20.75	14	47300	50000	5000	6700	0.390
31307	27307	35	80	21	22.75	15	61600	67000	4500	6000	0.520
31308	27308	40	90	23	25.25	17	73700	81500	4000	5300	0.720
31309	27309	45	100	25	27.25	18	91300	102000	3400	4500	0.950
31310	27310	50	110	27	29.25	19	106000	120000	3200	4300	1.200
31311	27311	55	120	29	31.5	21	121000	137000	2800	3800	1.550
31312	27312	60	130	31	33.5	22	145000	166000	2600	3600	1.900
31313	27313	65	140	33	36	23	165000	193000	2200	3200	2.350
31314	27314	70	150	35	38	25	187000	220000	2000	3000	2.950
31315	27315	75	160	37	40	26	209000	245000	1900	2800	3.500
31316	27316	80	170	39	42.5	27	224000	265000	1900	2800	4.050
31317	27317	85	180	41	44.5	28	242000	285000	1800	2600	4.600
31318	27318	90	190	43	46.5	30	264000	315000	1700	2400	5.900
31319	27319	95	200	45	49.5	32	292000	355000	1700	2400	6.950
31320	27320	100	215	51	56.5	35	374000	465000	1600	2200	8.600
31321	27321	105	225	53	58	36	402000	500000	1500	2000	9.650
31322	27322	110	240	57	63	38	457000	585000	1400	1900	12.00
31324	27324	120	260	62	68	42	539000	695000	1200	1700	15.50
31326	27326	130	280	66	72	44	605000	780000	1100	1600	18.50
31328	27328	140	300	70	77	47	693000	900000	1000	1500	24.50
31330	27330	150	320	75	82	50	781000	1020000	950	1400	29.50
32004	2007104	20	42	15	15	12	24200	27000	8500	12000	0.097
32005	2007105	25	47	15	15	11.5	27000	32500	8000	11000	0.110
32006	2007106	30	55	17	17	13	35800	44000	6700	9000	0.170
32007	2007107	35	62	18	18	14	42900	54000	6000	8000	0.220
32008	2007108	40	68	19	19	14.5	52800	71000	5300	7000	0.270
32009	2007109	45	75	20	20	15.5	58300	80000	4800	6300	0.340
32010	2007110	50	80	20	20	15.5	60500	88000	4500	6000	0.370
32011	2007111	55	90	23	23	17.5	80900	116000	4000	5300	0.550
32012	2007112	60	95	23	23	17.5	82500	122000	3800	5000	0.590
32013	2007113	65	100	23	23	17.5	84200	127000	3400	4500	0.630
32014	2007114	70	110	25	25	19	101000	153000	3200	4300	0.840
32015	2007115	75	115	25	25	19	106000	163000	3000	4000	0.900
32016	2007116	80	125	29	29	22	138000	216000	2600	3600	1.300
32017	2007117	85	130	29	29	22	140000	224000	2400	3400	1.350
32018	2007118	90	140	32	32	24	168000	270000	2200	3200	1.750
32019	2007119	95	145	32	32	24	170000	275000	2200	3200	1.800
32020	2007120	100	150	32	32	24	172000	280000	2000	3000	1.900
32021	2007121	105	160	35	35	26	201000	335000	1900	2800	2.400
32022	2007122	110	170	38	38	29	233000	390000	1800	2600	3.050
32024	2007124	120	180	38	38	29	242000	415000	1700	2400	3.250
32026	2007126	130	200	45	45	34	314000	540000	1600	2200	4.950
32028	2007128	140	210	45	45	34	330000	585000	1600	2200	5.250
32030	2007130	150	225	48	48	36	369000	655000	1500	2000	6.350

ISO	GOST	Dimensions (mm)					Basic Load Rating (N)		Limiting speed (r/min)		Weight (kg)
									Lubrication		
		d	D	B	T	C	Dyn. C	Stat. C ₀	Grease	Oil	
32032	2007132	160	240	51	51	38	429000	780000	1300	1800	7.750
32034	2007134	170	260	57	57	43	512000	915000	1200	1700	10.50
32036	2007136	180	280	64	64	48	644000	1160000	1100	1600	14.50
32038	2007138	190	290	64	64	48	660000	1200000	1000	1500	15.00
32040	2007140	200	310	70	70	53	748000	1370000	950	1400	19.50
32044	2007144	220	340	76	76	57	897000	1660000	900	1300	25.50
32048	2007148	240	360	76	76	57	935000	1800000	850	1200	27.50
32052	2007152	260	400	87	87	65	1120000	2170000	670	850	38.00
32056	2007156	280	420	87	87	65	1190000	2290000	600	750	40.20
32060	2007160	300	460	100	100	74	1520000	2940000	560	700	57.50
32064	2007164	320	480	100	100	74	1540000	3000000	530	670	60.60
32203	7503	17	40	16	17.25	14	29000	29500	10000	13000	0.102
32204	7504	20	47	18	19.25	15	33100	34700	8000	11000	0.161
32205	7505	25	52	18	19.25	15	35800	44000	7000	9500	0.190
32206	7506	30	62	20	21.25	17	50100	57000	6300	8500	0.280
32207	7507	35	72	23	24.25	19	66000	78000	5300	7000	0.430
32208	7508	40	80	23	24.75	19	74800	86500	4800	6300	0.530
32209	7509	45	85	23	24.75	19	80900	98000	4500	6000	0.580
32210	7510	50	90	23	24.75	19	82500	100000	4300	5600	0.610
32211	7511	55	100	25	26.75	21	106000	129000	3800	5000	0.830
32212	7512	60	110	28	29.75	24	125000	160000	3400	4500	1.150
32213	7513	65	120	31	32.75	27	151000	193000	3000	4000	1.500
32214	7514	70	125	31	33.25	27	157000	208000	2800	3800	1.600
32215	7515	75	130	31	33.25	27	161000	212000	2600	3600	1.700
32216	7516	80	140	33	35.25	28	187000	245000	2400	3400	2.050
32217	7517	85	150	36	38.5	30	212000	285000	2200	3200	2.600
32218	7518	90	160	40	42.5	34	251000	340000	2000	3000	3.350
32219	7519	95	170	43	45.5	37	281000	390000	1900	2800	4.050
32220	7520	100	180	46	49	39	319000	440000	1800	2600	4.900
32221	7521	105	190	50	53	43	358000	510000	1800	2600	6.000
32222	7522	110	200	53	56	46	402000	570000	1700	2400	7.100
32224	7524	120	215	58	61.5	50	468000	695000	1600	2200	9.150
32226	7526	130	230	64	67.75	54	550000	830000	1500	2000	11.50
32228	7528	140	250	68	71.75	58	644000	1000000	1400	1900	14.50
32230	7530	150	270	73	77	60	737000	1140000	1200	1700	17.50
32232	7532	160	290	80	84	67	880000	1400000	1100	1600	25.50
32234	7534	170	310	86	91	71	980000	1560000	1000	1500	28.50
32236	7536	180	320	86	91	71	1010000	1640000	950	1400	29.80
32238	7538	190	340	92	97	75	1110000	1920000	900	1300	36.00
32240	7540	200	360	98	104	82	1210000	2000000	900	1300	42.70
32244	7544	220	400	108	114	90	1530000	2560000	800	1100	58.30
32303	7603	17	47	19	20.25	16	34700	33500	8500	11000	0.170
32304	7604	20	52	21	22.25	18	44000	45500	7500	10000	0.230
32305	7605	25	62	24	25.25	20	60500	63000	6000	8000	0.360
32306	7606	30	72	27	28.75	23	76500	85000	5300	7000	0.550
32307	7607	35	80	31	32.75	25	95200	106000	4800	6300	0.730
32308	7608	40	90	33	35.25	27	117000	140000	4000	5300	1.000
32309	7609	45	100	36	38.25	30	140000	170000	3600	4800	1.350
32310	7610	50	110	40	42.25	33	172000	212000	3200	4300	1.800
32311	7611	55	120	43	45.5	35	198000	250000	3000	4000	2.300
32312	7612	60	130	46	48.5	37	229000	290000	2600	3600	2.850
32313	7613	65	140	48	51	39	264000	335000	2400	3400	3.450
32314	7614	70	150	51	54	42	297000	380000	2200	3200	4.300
32315	7615	75	160	55	58	45	336000	440000	2000	3000	5.200
32316	7616	80	170	58	61.5	48	380000	500000	1900	2800	6.200
32317	7617	85	180	60	63.5	49	402000	530000	1800	2600	6.850
32318	7618	90	190	64	67.5	53	457000	610000	1700	2400	8.400
32319	7619	95	200	67	71.5	55	501000	670000	1700	2400	11.00
32320	7620	100	215	73	77.5	60	572000	780000	1600	2200	12.50

ISO	GOST	Dimensions (mm)					Basic Load Rating (N)		Limiting speed (r/min)		Weight (kg)
		d	D	B	T	C	Dyn. C	Stat. C ₀	Lubrication		
									Grease	Oil	
32321	7621	105	225	77	81.5	63	605000	815000	1500	2000	14.50
32322	7622	110	240	80	84.5	65	627000	830000	1400	1900	17.00
32324	7624	120	260	86	90.5	69	792000	1120000	1300	1800	21.50
32326	7626	130	280	93	98.75	78	858000	1180000	1300	1800	26.20
32328	7628	140	300	102	107.75	85	1100000	1570000	1300	1700	33.10
32330	7630	150	320	108	114	90	1170000	1660000	1100	1500	39.30
32334	7634	170	360	120	127	100	1310000	1830000	850	1100	59.50
32922	2007922	110	150	25	25	20	133000	231000	1600	2400	1.250
32924	2007924	120	165	29	29	23	172000	318000	1800	2400	1.820
32926	2007926	130	180	32	32	25	208000	370000	1360	1920	2.400
32928	2007928	140	190	32	32	25	214000	395000	1280	1760	2.550
32930	2007930	150	210	38	38	30	285000	495000	1189	1680	3.900
32932	2007932	160	220	38	38	30	295000	530000	1180	1600	4.130
32934	2007934	170	230	38	38	30	295000	560000	1120	1520	4.500
32936	2007936	180	250	45	45	34	281600	588000	960	1360	6.650
32938	2007938	190	260	45	45	34	286400	612000	880	1280	7.000
32940	2007940	200	280	51	51	39	378400	760000	800	1200	9.500
32944	2007944	220	300	51	51	39	470000	864000	900	1200	10.20
32948	2007948	240	320	51	51	39	510000	978000	720	1040	11.00
32952	2007952	260	360	63.5	63.5	48	750000	1225000	680	900	18.70
32956	2007956	280	380	63.5	63.5	48	773000	1328000	640	880	20.00
32960	2007960	300	420	76	76	57	840000	1792000	560	760	32.00

CYLINDRICAL ROLLER BEARINGS

Series: N2.. N22.. N3.. N23.. NF2.. NF22.. NF3.. NF23.. NF4.. NU10.. NU2.. NU22.. NU3.. NU23.. NU4.. NJ10.. NJ2.. NJ22.. NJ3.. NJ23.. NJ4.. NUP2.. NUP22.. NUP3.. NUP23.. NUP4.. NN..



Subject	Symbol	Description
Radial internal clearance	C2	Less than normal.
	CN	Normal clearance. Is not indicated as a standard.
	C3	Greater clearance than normal.
	C4	Greater than C3.
	C5	Greater than C4.
Other technical modifications	K	Tapered bore.
Cage types	E	Polymer cage
	M	Brass cage roller guided.
	S	Pressed steel cage.
	-	Pressed steel cage. Is not indicated as a standard.
Speed ratings	V	Normal vibration level. Is not indicated as a standard.
	V1	Lower vibration level than normal.
	V2	Lower vibration level than V1.
	V3	Lower vibration level than V2.
	V4	Lower vibration level than V3.
Tolerances	P0	Normal tolerance level. Is not indicated as a standard.
	P6	Greater tolerance level than P0.
	P5	Greater tolerance level than P6.

Features

CRAFT bearings cylindrical roller bearings are available in many designs, series and sizes. The majority are single row bearings with a cage. High-capacity bearings, single and double row full complement bearings (without a cage)

Due to the line contact in between rolling elements and raceways, CRAFT bearings cylindrical roller bearings have higher radial load capacity and they are suited to high-speed applications due to their structure.

Together with a high strength cage design in pressed steel, the most cylindrical roller bearings consist of brass or polyamide and provides low noise, low heat generation and, for much more difficult applications could be provided in a variety of advanced special materials.

Our cylindrical bearings are equally suitable for heavy radial and impact loading.

Having a separable inner or outer ring, these bearings can be easily mounted and dismounted.

One-Row Cylindrical Bearings

N Style single row - N style cylindrical roller bearings have two machined flanges in the inner ring with no flanges on the outer ring, with rollers and cage on the inner ring. Much like the NU style, the N doesn't have thrust load carrying capability.

NU style single row - NU style cylindrical roller bearings have two machined flanges in the outer ring with no flanges in the inner ring.

NJ style single row - NJ style cylindrical roller bearings have two machined flanges in the outer ring plus a machined flange on one side in the inner ring. The roller and cage assembly is in the outer ring. The integral flange on the inner ring enables this bearing to handle an axial load.

NF style single row - NF style cylindrical roller bearings have two machined flanges in the inner ring and the other flange in the outer ring, with roller and cage on the inner ring. Much like the NJ bearing, these bearings possess some thrust load capability.

NUP style single row - NUP style cylindrical roller bearings are like the NJ style and come with a special ring called a thrust collar. Mounted on the non-flange side of the inner ring, the thrust collar allows the bearing to hold an axial load in both directions. The thrust collar extends out of your bearing on one side, therefore the dimensions across the inner ring is slightly higher than that of the outer ring.

NP (Also able to carry incidental thrust loads in both directions, and may be used with a type RN or RU to accommodate axial expansion and contraction. Two integral ribs on inner ring, one integral rib on outer ring.

Two-Row Cylindrical Bearings (NN)

Cylindrical roller bearings, in which either the inner or outer rings has two ribs and the other ring has one, are capable of taking some axial load in one direction Double-row cylindrical roller bearings have high radial rigidity and are used primarily for precision machine tools

Cages

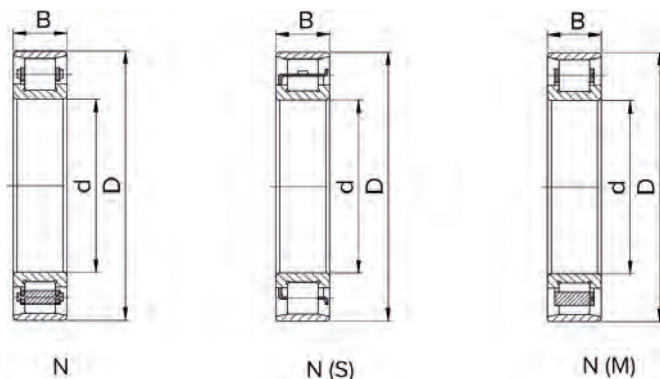
Small and medium-sized single row cylindrical roller bearings are generally fitted with pressed sheet cages. Large-sized bearings are fitted with machined brass cages of normal design, i.e. cages of separable design guided on rolling elements M, on the outside surface MA or inner surface MB.

In case of heavy loads and high speeds, cages are made in one piece.

Loads

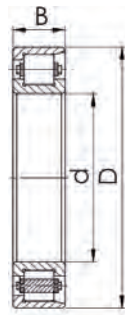
Cylindrical roller bearings must be subjected to a given minimum load, so that a proper operation of these bearings can be guaranteed.

This is necessary especially as the bearings are operated at high speeds and the centrifugal forces produce additional friction in bearing due to the sliding between rollers and raceway.

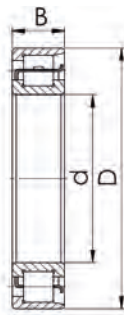


ISO	GOST	Dimensions (mm)			Basic Load Rating (N)		Limiting speed (r/min)		Weight (kg)
		d	D	B	Dyn. C	Stat. C ₀	Lubrication		
							Grease	Oil	
N202	2202	15	35	11	13500	11600	20000	23000	0.047
N203	2203	17	40	12	14800	12100	18000	21000	0.067
N204	2204	20	47	14	15400	12700	15000	18000	0.108
N2204	2504	20	47	18	30800	30000	12000	16000	0.150
N205	2205	25	52	15	17700	15700	13000	16000	0.132
N2205	2505	25	52	18	32800	33800	11000	14000	0.170
N206	2206	30	62	16	23500	21500	11000	13000	0.200
N2206	2506	30	62	20	45500	48000	8500	11000	0.270
N207	2207	35	72	17	33600	31500	9500	11000	0.293
N2207	2507	35	72	23	57500	63000	7500	9500	0.410
N208	2208	40	80	18	43800	42900	8300	10000	0.366
N2208	2508	40	80	23	67500	75200	7000	9000	0.510
N209	2209	45	85	19	46100	46900	7700	9200	0.427
N2209	2509	45	85	23	71000	82000	6300	8000	0.550
N210	2210	50	90	20	48200	51000	7100	8500	0.479
N2210	2510	50	90	23	73200	88800	6000	7500	0.590
N211	2211	55	100	21	58000	62300	6400	7700	0.640
N2211	2511	55	100	25	94800	118000	5300	6700	0.810
N212	2212	60	110	22	71900	79900	5800	7000	0.823
N213	2213	65	120	23	83800	94400	5400	6400	1.050
N214	2214	70	125	24	83300	95200	5100	6100	1.150
N215	2215	75	130	25	101000	118000	4800	5800	1.240
N216	2216	80	140	26	106000	122000	4500	5400	1.510
N217	2217	85	150	28	121000	140000	4200	5000	1.900
N218	2218	90	160	30	152000	178000	3900	4700	2.280
N219	2219	95	170	32	165000	195000	3700	4400	2.800
N220	2220	100	180	34	183000	217000	3500	4200	3.380
N2220	2520	100	180	46	334000	444000	3100	4200	4.820
N222	2222	110	200	38	241000	290000	3100	3700	4.650
N2222	2522	110	200	53	384000	517000	2800	3700	6.930
N224	2224	120	215	40	260000	318000	2900	3400	5.650
N2224	2524	120	215	58	452000	619000	2600	3400	8.560
N226	2226	130	230	40	282000	362000	2700	3200	6.490
N2226	2526	130	230	64	530000	737000	2400	3200	11.200
N228	2228	140	250	42	324000	421000	2400	2900	8.270
N2228	2528	140	250	68	572000	835000	2200	2900	14.300
N230	2230	150	270	45	374000	492000	2200	2700	10.300
N2230	2530	150	270	73	662000	982000	2000	2600	18.700
N232	2232	160	290	48	427000	568000	2100	2500	14.400
N234	2234	170	310	52	475000	637000	1900	2300	18.400
N236	2236	180	320	52	492000	677000	1800	2200	19.300
N304	2304	20	52	15	23100	19200	12000	16000	0.147
N305	2305	25	62	17	29300	25200	10000	14000	0.241

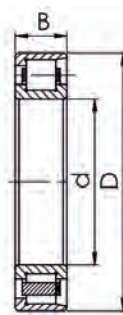
ISO	GOST	Dimensions (mm)			Basic Load Rating (N)		Limiting speed (r/min)		Weight (kg)
							Lubrication		
		d	D	B	Dyn. C	Stat. C ₀	Grease	Oil	
N2305	2605	25	62	24	53200	54500	9000	12000	0.360
N306	2306	30	72	19	38600	35200	8700	12000	0.403
N2306	2606	30	72	27	70000	75500	8000	10000	0.540
N307	2307	35	80	21	49600	46900	7900	10000	0.477
N2307	2607	35	80	31	87500	98200	7000	9000	0.740
N308	2308	40	90	23	58600	56900	6900	9100	0.657
N2308	2608	40	90	33	105000	118000	6300	8000	1.000
N309	2309	45	100	25	78800	77500	6200	8300	0.870
N2309	2609	45	100	36	130000	152000	5600	7000	1.340
N310	2310	50	110	27	92200	93400	5600	7500	1.200
N2310	2610	50	110	40	155000	185000	5300	6700	1.150
N311	2311	55	120	29	110000	110000	5100	6800	1.440
N2311	2611	55	120	43	190000	228000	4800	6000	2.300
N312	2312	60	130	31	124000	126000	4700	6300	1.830
N2312	2612	60	130	46	239000	269000	5600	6700	2.770
N313	2313	65	140	33	137000	139000	4300	5800	2.240
N2313	2613	65	140	48	275000	315000	5300	6000	3.510
N314	2314	70	150	35	162000	168000	4000	5400	2.730
N2314	2614	70	150	51	234000	358000	4800	5600	3.860
N315	2315	75	160	37	194000	205000	3800	5000	3.240
N2315	2615	75	160	55	365000	391000	4500	5300	4.570
N316	2316	80	170	39	194000	207000	3500	4700	3.920
N2316	2616	80	170	58	497000	325000	4300	5000	6.300
N317	2317	85	180	41	225000	247000	3300	4500	4.520
N2317	2617	85	180	60	441000	473000	4000	4800	8.000
N318	2318	90	190	43	243000	265000	3100	4200	5.380
N2318	2618	90	190	64	475000	505000	3800	4500	8.690
N319	2319	95	200	45	277000	311000	3000	4000	6.200
N2319	2620	95	200	67	501000	532000	3600	4300	9.520
N320	2320	100	215	47	323000	337000	2800	3700	7.700
N2320	2620	100	215	73	570000	717000	2400	3600	12.100
N330	2330	150	320	65	663000	807000	1800	2300	26.400
N2330	2630	150	320	108	1180000	1600000	1400	2100	44.700



NF



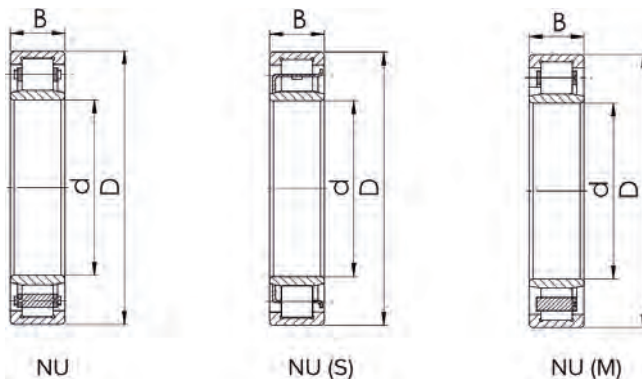
NF (S)



NF (M)

ISO	GOST	Dimensions (mm)			Basic Load Rating (N)		Limiting speed (r/min)		Weight (kg)
		d	D	B	Dyn. C	Stat. C ₀	Lubrication		
							Grease	Oil	
NF202	12202	15	35	11	13500	11600	20000	23000	0.051
NF203	12203	17	40	12	14800	12100	18000	21000	0.072
NF204	12204	20	47	14	15400	12700	15000	18000	0.117
NF205	12205	25	52	15	17700	15700	13000	16000	0.142
NF206	12206	30	62	16	23500	21500	11000	13000	0.216
NF207	12207	35	72	17	33600	31500	9500	10000	0.317
NF2207	12507	35	72	23	37100	39200	7500	9500	0.324
NF208	12208	40	80	18	43800	42900	8300	10000	0.395
NF209	12209	45	85	19	46100	46900	7700	9200	0.461
NF210	12210	50	90	20	48200	51000	7100	8500	0.517
NF211	12211	55	100	21	58000	62300	6400	7700	0.690
NF212	12212	60	110	22	71900	79900	5800	7000	0.888
NF213	12213	65	120	23	83800	94400	5400	6400	1.132
NF214	12214	70	125	24	83300	95200	5100	6100	1.241
NF215	12215	75	130	25	101000	118000	4800	5800	1.338
NF216	12216	80	140	26	106000	122000	4500	5400	1.628
NF217	12217	85	150	28	121000	140000	4200	5000	2.050
NF218	12218	90	160	30	152000	178000	3900	4700	2.460
NF219	12219	95	170	32	165000	195000	3700	4400	3.020
NF220	12220	100	180	34	183000	217000	3500	4200	3.650
NF221	12221	105	190	36	201000	241000	3300	3900	4.310
NF222	12222	110	200	38	241000	290000	3100	3700	5.010
NF228	12228	140	250	42	324000	421000	2400	2900	8.900
NF230	12230	150	270	45	374000	492000	2200	2700	11.000
NF304	12304	20	52	15	23100	19200	12000	16000	0.158
NF305	12305	25	62	17	29300	25200	10000	14000	0.260
NF2305	12605	25	62	24	38500	39200	9000	12000	0.370
NF306	12306	30	72	19	38600	35200	8700	12000	0.387
NF2306	12606	30	72	27	46500	47500	8000	10000	0.600
NF307	12307	35	80	21	49600	46900	7900	10000	0.515
NF2307	12607	35	80	31	54800	57000	7000	9000	0.850
NF308	12308	40	90	23	58600	56900	6900	9100	0.709
NF2308	12608	40	90	33	70800	76800	6300	8000	1.100
NF309	12309	45	100	25	78800	77500	6200	8300	0.938
NF2309	12609	45	100	36	91500	100000	5600	7000	1.500
NF310	12310	50	110	27	92200	93400	5600	7500	1.241
NF2310	12610	50	110	40	112000	132000	5300	6700	1.900
NF311	12311	55	120	29	111000	111000	5100	6800	1.553
NF2311	12611	55	120	43	130000	148000	4800	6500	2.400
NF312	12312	60	130	31	124000	126000	4700	6300	1.970
NF313	12313	65	140	33	137000	139000	4300	5800	2.410
NF314	12314	70	150	35	162000	168000	4000	5400	2.940
NF315	12315	75	160	37	194000	205000	3800	5000	3.500

ISO	GOST	Dimensions (mm)			Basic Load Rating (N)		Limiting speed (r/min)		Weight (kg)
							Lubrication		
		d	D	B	Dyn. C	Stat. C ₀	Grease	Oil	
NF316	12316	80	170	39	195000	207000	3500	4700	4.230
NF317	12317	85	180	41	225000	247000	3300	4500	4.880
NF318	12318	90	190	43	243000	265000	3100	4200	5.810
NF319	12319	95	200	45	277000	311000	3000	4000	6.690
NF320	12320	100	215	47	323000	337000	2800	3700	8.300
NF321	12321	105	225	49	366000	417000	2600	3500	8.760
NF322	12322	110	240	50	352000	428000	2000	2800	9.460
NF324	12324	120	260	55	458000	551000	2200	3000	14.130
NF326	12326	130	280	58	564000	667000	2100	2700	17.700
NF328	12328	140	300	62	623000	746000	1900	2500	21.600
NF330	12330	150	320	65	663000	807000	1800	2300	28.500
NF332	12332	160	340	68	698000	876000	1600	2200	31.700
NF406	12406	30	90	23	62800	55000	7600	10000	0.75
NF407	12407	35	100	25	75200	68900	6600	8800	1.10
NF408	12408	40	110	27	97100	89100	6000	8000	1.41
NF409	12409	45	120	29	115000	112000	5400	7200	1.77
NF410	12410	50	130	31	139000	136000	4900	6600	2.17
NF411	12411	55	140	33	142000	138000	4600	6100	2.71
NF412	12412	60	150	35	178000	184000	4200	5700	3.26
NF413	12413	65	160	37	198000	203000	4000	5300	3.86
NF414	12414	70	180	42	246000	257000	3500	4700	5.68
NF415	12415	75	190	45	265000	274000	3300	4400	6.74
NF416	12416	80	200	48	302000	315000	3100	4200	7.85
NF417	12417	85	210	52	340000	350000	3000	4000	9.36
NF418	12418	90	225	54	374000	400000	2800	3700	11.11
NF419	12419	95	240	55	410000	444000	2600	3400	14.67
NF420	12420	100	250	58	458000	498000	2500	3300	15.10
NF421	12421	105	260	60	471000	510000	2400	3100	20.61
NF422	12422	110	280	65	550000	621000	2200	2900	21.47
NF424	12424	120	310	72	690000	770000	1900	2600	30.16
NF426	12426	130	340	78	771000	876000	1800	2300	39.00
NF428	12428	140	360	82	874000	1020000	1600	2200	50.50
NF430	12430	150	380	85	930000	1120000	1500	2000	57.40



NU

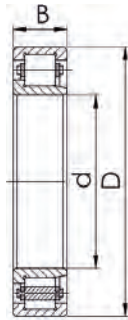
NU (S)

NU (M)

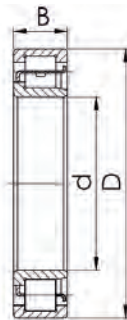
ISO	GOST	Dimensions (mm)			Basic Load Rating (N)		Limiting speed (r/min)		Weight (kg)
		d	D	B	Dyn. C	Stat. C ₀	Lubrication		
							Grease	Oil	
NU1006	32106	30	55	13	18700	18400	13000	15000	0.12
NU1007	32107	35	62	14	22600	23200	11000	13000	0.18
NU1008	32108	40	68	15	24900	25700	10000	12000	0.22
NU1009	32109	45	75	16	31000	33800	9200	11000	0.29
NU1010	32110	50	80	16	33600	36800	8400	9900	0.31
NU1011	32111	55	90	18	37400	43800	7600	8900	0.45
NU1012	32112	60	95	18	42100	50000	7000	8300	0.48
NU1013	32113	65	100	18	43300	52900	6600	7800	0.51
NU1014	32114	70	110	20	57900	70400	6100	7200	0.70
NU1015	32115	75	115	20	63600	78100	5700	6800	0.74
NU1016	32116	80	125	22	69300	86400	5300	6300	1.00
NU1017	32117	85	130	22	71400	91200	5100	6000	1.04
NU1018	32118	90	140	24	84700	109000	4700	5600	1.34
NU1019	32119	95	145	24	87200	115000	4600	5300	1.40
NU1020	32120	100	150	24	91000	120000	4300	5100	1.46
NU1021	32121	105	160	26	108000	149000	4100	4800	1.85
NU1022	32122	110	170	28	134000	171000	3900	4500	2.31
NU1024	32124	120	180	28	137000	181000	3500	4200	2.47
NU1026	32126	130	200	33	171000	238000	3200	3800	3.77
NU1028	32128	140	210	33	175000	250000	3000	3600	4.00
NU1030	32130	150	225	35	201000	281000	2800	3300	4.83
NU1032	32132	160	240	38	236000	330000	2600	3000	5.93
NU1034	32134	170	260	42	276000	400000	2400	2800	7.90
NU1036	32136	180	280	46	356000	503000	2200	2600	10.50
NU1038	32138	190	290	46	366000	530000	2100	2500	10.90
NU1040	32140	200	310	51	388000	582000	1900	2300	14.10
NU1044	32144	220	340	56	507000	748000	1700	2000	18.50
NU202	32202	15	35	11	12700	10400	19000	22000	0.05
NU203	32203	17	40	12	17600	14600	17000	20000	0.07
NU2203	32503	17	40	16	24000	22000	16000	18500	0.09
NU204	32204	20	47	14	25700	22600	15000	18000	0.11
NU2204	32504	20	47	18	30600	28300	13000	18000	0.15
NU205	32205	25	52	15	29300	27700	13000	15000	0.14
NU2205	32505	25	52	18	34900	34600	12000	15000	0.17
NU206	32206	30	62	16	39100	37400	11000	13000	0.21
NU2206	32506	30	62	20	48900	49800	9700	13000	0.26
NU207	32207	35	72	17	50200	50200	9300	11000	0.31
NU2207	32507	35	72	23	61600	65300	8300	11000	0.40
NU208	32208	40	80	18	55700	55400	8300	9900	0.38
NU2208	32508	40	80	23	72300	77600	7400	9900	0.49
NU209	32209	45	85	19	63100	66400	7600	9200	0.44
NU2209	32509	45	85	23	76100	84600	6900	9200	0.54
NU210	32210	50	90	20	66100	71900	7100	8500	0.50

ISO	GOST	Dimensions (mm)			Basic Load Rating (N)		Limiting speed (r/min)		Weight (kg)
		d	D	B	Dyn. C	Stat. C ₀	Lubrication		
							Grease	Oil	
NU2210	32510	50	90	23	79700	91500	6400	8500	0.58
NU211	32211	55	100	21	86400	98700	6400	7700	0.65
NU2211	32511	55	100	25	101000	122000	5800	7700	0.81
NU212	32212	60	110	22	97700	107000	5800	6900	0.83
NU2212	32512	60	110	28	131000	157000	5200	6900	1.1
NU213	32213	65	120	23	108000	119000	5300	6400	1.05
NU2213	32513	65	120	31	149000	181000	4800	6400	1.45
NU214	32214	70	125	24	119000	137000	5000	6000	1.16
NU2214	32514	70	125	31	156000	194000	4500	6000	1.53
NU215	32215	75	130	25	130000	156000	4800	5700	1.29
NU2215	32515	75	130	31	162000	207000	4300	5700	1.61
NU216	32216	80	140	26	139000	167000	4400	5300	1.56
NU2216	32516	80	140	33	186000	243000	4000	5300	2.03
NU217	32217	85	150	28	167000	199000	4200	5000	1.94
NU2217	32517	85	150	36	218000	279000	3700	5000	2.53
NU218	32218	90	160	30	182000	217000	3900	4700	2.38
NU2218	32518	90	160	40	242000	314000	3500	4700	3.21
NU219	32219	95	170	32	221000	265000	3700	4400	2.92
NU2219	32519	95	170	43	287000	371000	3300	4400	3.93
NU220	32220	100	180	34	250000	306000	3500	4200	3.52
NU2220	32520	100	180	46	334000	444000	3100	4200	4.82
NU221	32221	105	190	36	201000	241000	3300	3900	4
NU222	32222	110	200	38	293000	365000	3100	3700	4.9
NU2222	32522	110	200	53	384000	517000	2800	3700	6.93
NU224	32224	120	215	40	336000	421000	2800	3400	5.85
NU2224	32524	120	215	58	452000	619000	2600	3400	8.56
NU226	32226	130	230	40	364000	453000	2600	3200	6.60
NU2226	32526	130	230	64	530000	737000	2400	3200	11.20
NU228	32228	140	250	42	392000	514000	2400	2900	8.50
NU2228	32528	140	250	68	572000	835000	2200	2900	14.30
NU230	32230	150	270	45	448000	594000	2200	2600	10.70
NU2230	32530	150	270	73	662000	982000	2000	2600	18.70
NU232	32232	160	290	48	498000	666000	2000	2400	14.80
NU2232	32530	160	290	80	809000	1190000	1800	2400	26.60
NU234	32334	170	310	52	603000	802000	1900	2000	18.60
NU2234	32534	170	310	86	967000	1410000	1700	2200	29.20
NU236	32236	180	320	52	626000	852000	1800	2100	19.30
NU2236	32536	180	320	86	1010000	1510000	1600	2100	30.40
NU238	32238	190	340	55	694000	954000	1700	2000	23.30
NU2238	32538	190	340	92	1100000	1670000	1500	2000	37.00
NU240	32240	200	360	58	766000	1060000	1600	1900	27.20
NU2240	32540	200	360	98	1220000	1870000	1400	1900	44.40
NU244	32244	220	400	65	766000	1080000	1400	1700	38.50
NU2244	32544	220	400	108	1130000	1810000	1200	1700	60.90
NU303	32303	17	47	14	25500	21200	14000	17000	0.15
NU304	32304	20	52	15	31500	26900	12000	16000	0.15
NU2304	32604	20	52	21	42000	38800	11000	16000	0.21
NU305	32305	25	62	17	41600	37400	10000	14000	0.24
NU2305	32605	25	62	24	57000	56100	9100	14000	0.35
NU306	32306	30	72	19	53100	50200	8700	12000	0.36
NU2306	32606	30	72	27	74600	77600	7800	12000	0.53
NU307	32307	35	80	21	66600	65400	7700	10000	0.48
NU2307	32607	35	80	31	93100	101000	6900	10000	0.73
NU308	32308	40	90	23	83100	81500	6800	9100	0.66
NU2308	32608	40	90	33	114000	122000	6100	9100	0.96
NU309	32309	45	100	25	97400	98300	6100	8200	0.91
NU2309	32609	45	100	36	137000	153000	5400	8200	1.32
NU310	32310	50	110	27	110000	113000	5500	7400	1.15
NU2310	32610	50	110	40	163000	187000	4900	7400	1.76

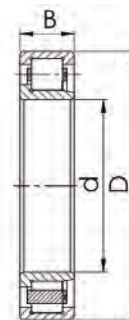
ISO	GOST	Dimensions (mm)			Basic Load Rating (N)		Limiting speed (r/min)		Weight (kg)
		d	D	B	Dyn. C	Stat. C ₀	Lubrication		
							Grease	Oil	
NU311	32311	55	120	29	137000	143000	5100	6700	1.50
NU2311	32611	55	120	43	201000	233000	4500	6700	2.25
NU312	32312	60	130	31	150000	157000	4600	6200	1.87
NU2312	32612	60	130	46	223000	262000	4100	6200	2.81
NU313	32313	65	140	33	181000	191000	4300	5700	2.31
NU2313	32613	65	140	48	251000	287000	3800	5700	3.36
NU314	32314	70	150	35	205000	222000	4000	5300	2.81
NU2314	32614	70	150	51	275000	323000	3600	5300	4.08
NU315	32315	75	160	37	240000	263000	3700	5000	3.37
NU2315	32615	75	160	55	329000	395000	3300	5000	5.00
NU316	32316	80	170	39	259000	282000	3500	4700	4.00
NU2316	32616	80	170	58	361000	431000	3100	4700	5.95
NU317	32317	85	180	41	291000	330000	3300	4400	4.80
NU2317	32617	85	180	60	394000	485000	2900	4400	6.98
NU318	32318	90	190	43	316000	355000	3100	4100	5.47
NU2318	32618	90	190	64	437000	534000	2800	4100	8.12
NU319	32319	95	200	45	334000	387000	2900	3900	6.42
NU2319	32619	95	200	67	394000	469000	2600	4000	9.39
NU320	32320	100	215	47	379000	424000	2700	3600	7.75
NU2320	32620	100	215	73	570000	717000	2400	3600	12.10
NU321	32321	105	225	49	440000	500000	2600	3500	8.76
NU322	32322	110	240	50	451000	525000	2400	3200	10.70
NU2322	32622	110	240	80	680000	880000	22	3400	18.90
NU324	32324	120	260	55	528000	610000	2200	3000	13.40
NU2324	32624	120	260	86	793000	1030000	2000	3000	23.10
NU326	32326	130	280	58	616000	736000	2000	2700	16.70
NU2326	32626	130	280	93	920000	1230000	1800	2700	29.10
NU328	32328	140	300	62	663000	797000	1900	2500	20.40
NU2328	32628	140	300	102	1020000	1380000	1700	2500	36.80
NU330	32330	150	320	65	757000	922000	1700	2300	27.00
NU2330	32630	150	320	108	1180000	1600000	1500	2300	44.70
NU332	32332	160	340	68	857000	1050000	1600	2100	32.00
NU2332	32632	160	340	114	1310000	1820000	1400	2100	53.10
NU334	32334	170	361	73	809000	1010000	1500	2000	38.60
NU2334	32634	170	360	120	1220000	1750000	1300	2000	62.60
NU336	32336	180	380	75	917000	1150000	1400	1900	42.60
NU2336	32636	180	380	126	1350000	1940000	1300	1900	73.00
NU406	32406	30	90	23	62800	55000	7600	10000	0.753
NU407	32407	35	100	25	75200	68900	6600	8800	1.02
NU408	32408	40	110	27	97100	89100	6000	8000	1.3
NU409	32409	45	120	29	115000	112000	5400	7200	1.64
NU410	32410	50	130	31	139000	136000	4900	6600	2.01
NU411	32411	55	140	33	142000	138000	4600	6100	2.51
NU412	32412	60	150	35	178000	184000	4200	5700	3.02
NU413	32413	65	160	37	198000	203000	4000	5300	3.58
NU414	32414	70	180	42	246000	257000	3500	4700	5.26
NU415	32415	75	190	45	265000	274000	3300	4400	6.25
NU416	32416	80	200	48	302000	315000	3100	4200	7.28
NU417	32417	85	210	52	340000	350000	3000	4000	8.68
NU418	32418	90	225	54	374000	400000	2800	3700	10.3
NU419	32419	95	240	55	410000	444000	2600	3400	13.6
NU420	32420	100	250	58	458000	498000	2500	3300	14
NU422	32422	110	280	65	550000	621000	2200	2900	19.9
NU424	32424	120	310	72	690000	770000	1900	2600	28
NU426	32426	130	340	78	771000	876000	1800	2300	36.1
NU428	34328	140	360	82	874000	1020000	1600	2200	46.8
NU430	32430	150	380	85	930000	1120000	1500	2000	53.3



NJ



NJ (S)

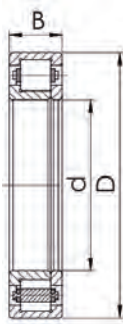


NJ (M)

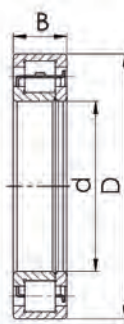
ISO	GOST	Dimensions (mm)			Basic Load Rating (N)		Limiting speed (r/min)		Weight (kg)
		d	D	B	Dyn. C	Stat. C ₀	Lubrication		
							Grease	Oil	
NJ1006	42106	30	55	13	18700	18400	13000	15000	0.124
NJ1007	42107	35	62	14	22600	23200	11000	13000	0.187
NJ1008	42108	40	68	15	24900	25700	10000	12000	0.229
NJ1009	42109	45	75	16	31000	33800	9200	11000	0.297
NJ1010	42110	50	80	16	33600	36800	8400	9900	0.314
NJ1011	42111	55	90	18	37400	43800	7600	8900	4.57
NJ1012	42112	60	95	18	42100	50000	7000	8300	0.49
NJ1013	42113	65	100	18	43300	52900	6600	7800	0.519
NJ1014	42114	70	110	20	57900	70400	6100	7200	0.72
NJ1015	42115	75	115	20	63600	78100	5700	6800	0.75
NJ1016	42116	80	125	22	69300	86400	5300	6300	1.02
NJ1017	42117	85	130	22	71400	91200	5100	6000	1.07
NJ1018	42118	90	140	24	84700	109000	4700	5600	1.38
NJ1019	42119	95	145	24	87200	115000	4500	5300	1.44
NJ1020	42120	100	150	24	91000	120000	4300	5100	1.5
NJ1022	42122	110	170	28	134000	171000	3800	4500	2.37
NJ1024	42124	120	180	28	137000	181000	3500	4200	2.53
NJ1026	42126	130	200	33	171000	238000	3200	3800	3.87
NJ1028	42128	140	210	33	175000	250000	3000	3600	4.11
NJ1030	42130	150	225	35	201000	281000	2800	3300	4.96
NJ203	42203	17	40	12	17600	14600	17000	20000	0.071
NJ202	42202	15	35	11	12700	10400	19000	22000	0.049
NJ204	42204	20	47	14	25700	22600	15000	18000	0.115
NJ2204	42504	20	47	18	30600	28300	13000	18000	0.150
NJ205	42205	25	52	15	29300	27700	13000	15000	0.142
NJ2205	42505	25	52	18	34900	34600	12000	15000	0.170
NJ206	42206	30	62	16	39100	37400	11000	13000	0.214
NJ2206	42506	30	62	20	48900	49800	9700	13000	0.269
NJ207	42207	35	72	17	50200	50200	9300	11000	0.314
NJ2207	42507	35	72	23	61600	65300	8300	11000	0.415
NJ208	42208	40	80	18	55700	55400	8300	9900	0.394
NJ2208	42508	40	80	23	72300	77600	7400	9900	0.503
NJ209	42209	45	85	19	63100	66400	7600	9200	0.451
NJ2209	42509	45	85	23	76100	84600	6900	9200	0.550
NJ210	42210	50	90	20	66100	71900	7100	8500	0.510
NJ2210	42510	50	90	23	79700	91500	6400	8500	0.595
NJ211	42211	55	100	21	86400	98700	6400	7700	0.667
NJ2211	42511	55	100	25	101000	122000	5800	7700	0.827
NJ212	42212	60	110	22	97700	107000	5800	6900	0.852
NJ2212	42512	60	110	28	131000	157000	5200	6900	1.119
NJ213	42213	65	120	23	108000	119000	5300	6400	1.078
NJ2213	42513	65	120	31	149000	181000	4800	6400	1.488
NJ214	42214	70	125	24	119000	137000	5000	6000	1.190

ISO	GOST	Dimensions (mm)			Basic Load Rating (N)		Limiting speed (r/min)		Weight (kg)
		d	D	B	Dyn. C	Stat. C ₀	Lubrication		
							Grease	Oil	
NJ2214	42514	70	125	31	156000	194000	4500	6000	1.570
NJ215	42215	75	130	25	130000	156000	4800	5700	1.320
NJ2215	42515	75	130	31	162000	207000	4300	5700	1.650
NJ216	42216	80	140	26	139000	167000	4400	5300	1.600
NJ2216	42516	80	140	33	186000	243000	4000	5300	2.080
NJ217	42217	85	150	28	167000	199000	4200	5000	2.010
NJ2217	42517	85	150	36	218000	279000	3700	5000	2.620
NJ218	42218	90	160	30	182000	217000	3900	4700	2.450
NJ2218	42518	90	160	40	232000	314000	3500	4700	3.310
NJ219	42219	95	170	42	221000	265000	3700	4400	3.050
NJ2219	42519	95	170	43	287000	371000	3300	4400	4.000
NJ220	42220	100	180	34	250000	306000	3500	4200	3.650
NJ2220	42520	100	180	46	334000	444000	3100	4200	4.990
NJ221	42221	105	190	36	201000	241000	3300	3900	4.140
NJ222	42222	110	200	38	293000	365000	3100	3700	5.060
NJ2222	42522	110	200	53	384000	517000	2800	3700	7.150
NJ224	42224	120	215	40	336000	421000	2800	3400	6.110
NJ2224	42524	120	215	58	452000	619000	2600	3400	9.300
NJ226	42226	130	230	40	364000	453000	2600	3200	6.780
NJ2226	42526	130	230	64	530000	737000	2400	3200	11.550
NJ228	42228	140	250	42	392000	514000	2400	2900	8.770
NJ2228	42528	140	250	68	572000	835000	2200	2900	14.700
NJ230	42230	150	270	45	448000	594000	2200	2600	10.990
NJ2230	42530	150	270	73	662000	982000	2000	2600	19.500
NJ232	42232	160	290	48	498000	666000	2000	2400	15.300
NJ2232	42532	160	290	80	809000	1190000	1800	2400	24.400
NJ234	42234	170	310	52	603000	802000	1900	2200	19.300
NJ2234	42534	170	310	86	967000	1410000	1700	2200	30.000
NJ236	42236	180	320	52	626000	852000	1800	2100	20.100
NJ2236	42536	180	320	86	1010000	1510000	1600	2100	32.000
NJ305	42305	25	62	17	38500	35800	9000	12000	0.25
NJ2305	42605	25	62	24	53200	54500	9000	12000	0.36
NJ306	42306	30	72	19	49200	48200	8000	10000	0.38
NJ2306	42606	30	72	27	70000	75500	8000	10000	0.54
NJ307	42307	35	80	21	62200	64200	7000	9000	0.50
NJ2307	42607	35	80	31	87500	98200	7000	9000	0.74
NJ308	42308	40	90	23	76800	77800	6300	8000	0.68
NJ2308	42608	40	90	33	105000	118000	6300	8000	1.00
NJ309	42309	45	100	25	93000	98000	5600	7000	0.93
NJ2309	42609	45	100	36	130000	152000	5600	7000	1.34
NJ310	42310	50	110	27	105000	112000	5300	6700	1.20
NJ2310	42610	50	110	40	155000	185000	5300	6700	1.79
NJ311	42311	55	120	29	128000	138000	4800	6400	1.53
NJ2311	42611	55	120	43	190000	228000	4800	6400	2.30
NJ312	42312	60	130	31	150000	157000	4600	6200	1.92
NJ2312	42612	60	130	46	223000	262000	4100	6200	2.90
NJ313	42313	65	140	33	181000	191000	4300	5700	2.38
NJ2313	42613	65	140	48	251000	287000	3800	5700	3.47
NJ314	42314	70	150	35	205000	222000	4000	5300	2.90
NJ2314	42614	70	150	51	275000	323000	3600	5300	4.21
NJ315	42315	75	160	37	240000	263000	3700	5000	3.48
NJ2315	42615	75	160	35	329000	395000	3300	5000	5.15
NJ316	42316	80	170	39	259000	282000	3500	4700	4.15
NJ2316	42616	80	170	58	361000	431000	3100	4700	6.14
NJ317	42317	85	180	41	291000	330000	3300	4400	4.97
NJ2317	42617	85	180	60	384000	485000	2900	4400	7.20
NJ318	42318	90	160	43	316000	355000	3100	4100	5.65
NJ2318	42618	90	160	64	437000	534000	2800	4100	8.33
NJ319	42319	95	200	45	334000	387000	2900	3900	6.60

ISO	GOST	Dimensions (mm)			Basic Load Rating (N)		Limiting speed (r/min)		Weight (kg)
		d	D	B	Dyn. C	Stat. C ₀	Lubrication		
							Grease	Oil	
NJ2319	42619	95	200	67	394000	469000	2600	4000	9.67
NJ320	42320	100	215	47	379000	424000	2700	3600	7.99
NJ2320	42620	100	215	73	570000	717000	2400	3600	12.50
NJ322	42322	110	240	50	451000	525000	2400	3200	11.10
NJ2322	42622	110	240	80	680000	880000	2200	3200	19.50
NJ324	42324	120	260	55	528000	610000	2200	3000	14.00
NJ2324	42624	120	260	86	793000	1030000	2000	3000	23.80
NJ326	42326	130	280	58	616000	736000	2000	2700	17.20
NJ2326	42626	130	280	93	920000	1230000	1800	2700	29.90
NJ328	42328	140	300	62	663000	797000	1900	2500	21.10
NJ2328	42628	140	300	102	1020000	1380000	1700	2500	37.90
NJ330	42330	150	320	65	757000	922000	1700	2300	27.70
NJ2330	42630	150	320	108	1180000	1600000	1500	2300	46.20
NJ332	42332	160	340	68	857000	1050000	1600	2100	32.90
NJ2332	42632	160	340	114	1310000	1820000	1400	2100	55.00
NJ334	42334	170	361	73	809000	1010000	1400	2000	40.10
NJ2334	42634	170	360	120	1220000	1750000	1300	2000	65.50
NJ336	42336	180	380	75	835000	1100000	1200	1600	43.80
NJ2336	42636	180	380	126	1210000	1780000	1200	1600	75.00
NJ340	42340	200	420	80	972000	1290000	1000	1400	58.00
NJ344	42344	220	460	88	1080000	1465000	900	1200	77.00
NJ406	42406	30	90	23	62800	55000	7600	10000	0.773
NJ407	42407	35	100	25	75200	68900	6600	8800	1.047
NJ408	42408	40	110	27	97100	89100	6000	8000	1.334
NJ409	42409	45	120	29	115000	112000	5400	7200	1.683
NJ410	42410	50	130	31	139000	136000	4900	6600	2.063
NJ411	42411	55	140	33	142000	138000	4600	6100	2.576
NJ412	42412	60	150	35	178000	184000	4200	5700	3.099
NJ413	42413	65	160	37	198000	203000	4000	5300	3.67
NJ414	42414	70	180	42	246000	257000	3500	4700	5.4
NJ415	42415	75	190	45	265000	274000	3300	4400	6.41
NJ416	42416	80	200	48	302000	315000	3100	4200	7.47
NJ417	42417	85	210	52	340000	350000	3000	4000	8.91
NJ418	42418	90	225	54	374000	400000	2800	3700	10.57
NJ419	42419	95	240	55	410000	444000	2600	3400	13.96
NJ420	42420	100	250	58	458000	498000	2500	3300	14.37
NJ422	42422	110	280	65	550000	621000	2200	2900	20.32
NJ424	42424	120	310	72	690000	770000	1900	2600	28.74
NJ426	42426	130	340	78	771000	876000	1800	2300	37.05
NJ428	42428	140	360	82	874000	1020000	1600	2200	48.03
NJ430	42430	150	380	85	930000	1120000	1500	2000	54.7



NUP



NUP (S)

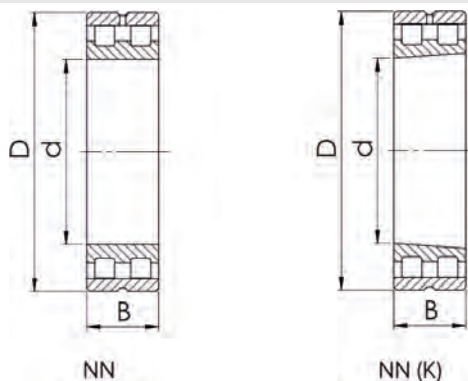


NUP (M)

ISO	GOST	Dimensions (mm)			Basic Load Rating (N)		Limiting speed (r/min)		Weight (kg)
		d	D	B	Dyn. C	Stat. C ₀	Lubrication		
							Grease	Oil	
NUP203	92203	17	40	12	17600	14600	17000	20000	0.073
NUP204	92204	20	47	14	25800	22600	15000	18000	0.118
NUP2204	92504	20	47	18	30600	28300	13000	18000	0.154
NUP205	92205	25	52	15	29300	27700	13000	15000	0.146
NUP2205	92505	25	52	18	34900	34600	12000	15000	0.174
NUP206	92206	30	62	16	39100	37400	11000	13000	0.220
NUP2206	92506	30	62	20	48900	49800	9700	13000	0.276
NUP207	92207	35	72	17	50200	50200	9300	11000	0.322
NUP2207	92507	35	72	23	57500	63000	7500	9500	0.426
NUP208	92208	40	80	18	55700	55400	8300	9900	0.404
NUP2208	92508	40	80	23	72300	77600	7400	9900	0.516
NUP209	92209	45	85	19	63100	66400	7600	9200	0.463
NUP2209	92509	45	85	23	76100	84600	6900	9200	0.564
NUP210	92210	50	90	20	66100	71900	7100	8500	0.523
NUP2210	92510	50	90	23	79700	91500	6400	8500	0.610
NUP211	92211	55	100	21	86400	98700	6400	7700	0.684
NUP2211	92511	55	100	25	101000	122000	5800	7700	0.849
NUP212	92212	60	110	22	97700	107000	5800	6900	0.874
NUP2212	92512	60	110	28	131000	157000	5200	6900	1.148
NUP213	92213	65	120	23	108000	119000	5300	6400	1.106
NUP2213	92513	65	120	31	149000	181000	4800	6400	1.527
NUP214	92214	70	125	24	119000	137000	5000	6000	1.220
NUP2214	92514	70	125	31	156000	194000	4500	6000	1.610
NUP215	92215	75	130	25	130000	156000	4800	5700	1.350
NUP2215	92515	75	130	31	162000	207000	4300	5700	1.690
NUP216	92216	80	140	26	139000	167000	4400	5300	1.640
NUP2216	92516	80	140	33	186000	243000	4000	5300	2.130
NUP217	92217	85	150	28	167000	199000	4200	5000	2.040
NUP2217	92517	85	150	36	218000	279000	3700	5000	2.670
NUP218	92218	90	160	30	182000	217000	3900	4700	2.500
NUP2218	92518	90	160	40	242000	314000	3500	4700	3.380
NUP219	92219	95	170	32	221000	265000	3700	4400	3.080
NUP2219	92519	95	170	43	287000	371000	3300	4400	4.130
NUP220	92220	100	180	34	250000	306000	3500	4200	3.700
NUP2220	92520	100	180	46	334000	444000	3100	4200	5.080
NUP222	92222	110	200	38	293000	365000	3100	3700	5.160
NUP2222	92522	110	200	53	384000	517000	2800	3700	7.290
NUP224	92224	120	215	40	336000	421000	2800	3400	6.160
NUP2224	92524	120	215	58	452000	619000	2600	3400	9.020
NUP226	92226	130	230	40	364000	453000	2600	3200	6.950
NUP2226	92526	130	230	64	530000	737000	2400	3200	11.790
NUP228	92228	140	250	42	392000	514000	2400	2900	8.950
NUP2228	92528	140	250	68	572000	835000	2200	2900	15.060

ISO	GOST	Dimensions (mm)			Basic Load Rating (N)		Limiting speed (r/min)		Weight (kg)
		d	D	B	Dyn. C	Stat. C ₀	Lubrication		
							Grease	Oil	
NUP230	92230	150	270	45	448000	594000	2200	2600	11.270
NUP2230	92530	150	270	73	662000	982000	2000	2600	19.690
NUP236	92236	180	320	52	626000	852000	1800	2100	20.33
NUP240	92240	200	360	58	766000	1060000	1600	1900	28.65
NUP2240	92540	200	360	98	1220000	1870000	1400	1900	46.75
NUP244	92244	220	400	65	766000	1080000	1400	1700	40.54
NUP2244	92544	220	400	108	1130000	1810000	1200	1700	64.13
NUP248	92248	240	440	72	949000	1340000	1200	1500	54.86
NUP304	92304	20	52	15	31500	26900	12000	16000	0.161
NUP2304	92604	20	52	21	42000	38800	11000	16000	0.227
NUP305	92305	25	62	17	41600	37400	10000	14000	0.255
NUP2305	92605	25	62	24	57000	56100	9100	14000	0.368
NUP306	92306	30	72	19	53100	50200	8700	12000	0.380
NUP2306	92606	30	72	27	74600	77600	7800	12000	0.562
NUP307	92307	35	80	21	66600	65400	7700	10000	0.508
NUP2307	92607	35	80	31	93100	10100	6900	10000	0.767
NUP308	92308	40	90	23	83100	91500	6800	9100	0.699
NUP2308	92608	40	90	33	114000	122000	6100	9100	1.013
NUP309	92309	45	100	25	97400	98300	6100	8200	0.957
NUP2309	92609	45	100	36	137000	153000	5400	8200	1.390
NUP310	92310	50	110	27	110000	113000	5500	7400	1.211
NUP2310	92610	50	110	40	163000	187000	4900	7400	1.853
NUP311	92311	55	120	29	137000	143000	5100	6700	1.579
NUP2311	92611	55	120	43	201000	233000	4500	6700	2.369
NUP312	92312	60	130	31	150000	157000	4600	6200	1.969
NUP2312	92612	60	130	46	223000	262000	4100	6200	2.959
NUP313	92313	65	140	33	181000	191000	4300	5700	2.430
NUP2313	92613	65	140	48	251000	287000	3800	5700	3.540
NUP314	92314	70	150	35	205000	222000	4000	5300	2.950
NUP2314	92614	70	150	51	275000	323000	3600	5300	4.300
NUP315	92315	75	160	37	240000	263000	3700	5000	3.550
NUP2315	92615	75	160	55	329000	395000	3300	5000	5.260
NUP316	92316	80	170	39	259000	282000	3500	4700	4.220
NUP2316	92616	80	170	58	361000	431000	3100	4700	6.270
NUP317	92317	85	180	41	291000	330000	3300	4400	5.060
NUP2317	92617	85	180	60	394000	485000	2900	4400	7.350
NUP318	92318	90	160	43	316000	355000	3100	4100	5.760
NUP2318	92618	90	160	64	437000	534000	2800	4100	8.550
NUP319	92319	95	200	45	334000	387000	2900	3900	6.760
NUP2319	92619	95	200	67	394000	496000	2600	4000	9.890
NUP320	92320	100	215	47	379000	424000	2700	3600	8.160
NUP2320	92620	100	215	73	570000	717000	2400	3600	12.740
NUP322	92322	110	240	50	451000	525000	2400	3200	11.270
NUP2322	92622	110	240	80	680000	880000	2200	3200	19.790
NUP324	92324	120	260	55	528000	610000	2200	3000	14.11
NUP2324	92624	120	260	86	793000	1030000	2000	3000	24.33
NUP326	92326	130	280	58	616000	736000	2000	2700	17.59
NUP2326	92626	130	280	93	920000	1230000	1800	2700	30.65
NUP328	92328	140	300	62	663000	797000	1900	2500	21.48
NUP2328	92628	140	300	102	1020000	1380000	1700	2500	38.75
NUP330	92330	150	320	65	757000	922000	1700	2300	28.43
NUP2330	92630	150	320	108	1180000	1600000	1500	2300	47.07
NUP406	92406	30	90	23	62800	55000	7600	10000	0.793
NUP407	92407	35	100	25	75200	68900	6600	8800	1.074
NUP408	92408	40	110	27	97100	89100	6000	8000	1.369
NUP409	92409	45	120	29	115000	112000	5400	7200	1.727
NUP410	92410	50	130	31	139000	136000	4900	6600	2.117
NUP411	92411	55	140	33	142000	138000	4600	6100	2.643
NUP412	92412	60	150	35	178000	184000	4200	5700	3.18

ISO	GOST	Dimensions (mm)			Basic Load Rating (N)		Limiting speed (r/min)		Weight (kg)
							Lubrication		
		d	D	B	Dyn. C	Stat. C ₀	Grease	Oil	
NUP413	92413	65	160	37	198000	203000	4000	5300	3.77
NUP414	92414	70	180	42	246000	257000	3500	4700	5.54
NUP415	92415	75	190	45	265000	274000	3300	4400	6.58
NUP416	92416	80	200	48	302000	315000	3100	4200	7.66
NUP417	92417	85	210	52	340000	350000	3000	4000	9.14
NUP418	92418	90	225	54	374000	400000	2800	3700	10.84
NUP419	92419	95	240	55	410000	444000	2600	3400	14.32
NUP420	92420	100	250	58	458000	498000	2500	3300	14.74
NUP422	92422	110	280	65	550000	621000	2200	2900	20.95
NUP424	92424	120	310	72	690000	770000	1900	2600	29.49
NUP426	92426	130	340	78	771000	876000	1800	2300	38.01
NUP428	92428	140	360	82	874000	1020000	1600	2200	49.28
NUP430	92430	150	380	85	930000	1120000	1500	2000	56.12



NN

NN (K)

ISO	GOST	Dimensions (mm)			Basic Load Rating (N)		Limiting speed (r/min)		Weight (kg)
							Lubrication		
		d	D	B	Dyn. C	Stat. C ₀	Grease	Oil	
NN3006	3282106	30	55	19	29000	34000	16000	19000	0.191
NN3006 K	3182106	30	55	19	29000	34000	16000	19000	0.191
NN3007	3282107	35	62	20	35500	44000	14000	17000	0.249
NN3007 K	3182107	35	62	20	35500	44000	14000	17000	0.249
NN3008	3282108	40	68	21	45000	58500	12000	15000	0.303
NN3008 K	3182108	40	68	21	45000	58500	12000	15000	0.303
NN3009	3282109	45	75	23	54000	72000	11000	14000	0.393
NN3009 K	3182109	45	75	23	54000	72000	11000	14000	0.393
NN3010	3282110	50	80	23	57000	80000	10000	13000	0.426
NN3010 K	3182110	50	80	23	57000	80000	10000	13000	0.426
NN3011	3282111	55	90	26	72000	100000	9000	11000	0.630
NN3011 K	3182111	55	90	26	72000	100000	9000	11000	0.630
NN3012	3282112	60	95	26	75000	110000	8500	10000	0.674
NN3012 K	3182112	60	95	26	75000	110000	8500	10000	0.674
NN3013	3282113	65	100	26	76500	116000	8000	9500	0.715
NN3013 K	3182113	65	100	26	76500	116000	8000	9500	0.715
NN3014	3282114	70	110	30	98000	150000	7000	8500	1.040
NN3014 K	3182114	70	110	30	98000	150000	7000	8500	1.040
NN3015	3282115	75	115	30	100000	156000	6700	8000	1.090
NN3015 K	3182115	75	115	30	100000	156000	6700	8000	1.090
NN3016	3282116	80	125	34	120000	186000	6300	7500	1.510
NN3016 K	3182116	80	125	34	120000	186000	6300	7500	1.510
NN3017	3282117	85	130	34	125000	200000	6000	7000	1.580
NN3017 K	3182117	85	130	34	125000	200000	6000	7000	1.580

ISO	GOST	Dimensions (mm)			Basic Load Rating (N)		Limiting speed (r/min)		Weight (kg)
		d	D	B	Dyn. C	Stat. C ₀	Lubrication		
							Grease	Oil	
NN3018	3282118	90	140	37	140000	224000	5600	6700	2.050
NN3018 K	3182118	90	140	37	140000	224000	5600	6700	2.050
NN3019	3282119	95	145	37	143000	236000	5300	6300	2.140
NN3019 K	3182119	95	145	37	143000	236000	5300	6300	2.140
NN3020	3282120	100	150	37	146000	245000	5300	6300	2.230
NN3020 K	3182120	100	150	37	146000	245000	5300	6300	2.230
NN3021	3282121	105	160	41	190000	310000	4800	5600	2.840
NN3021 K	3182121	105	160	41	190000	310000	4800	5600	2.840
NN3022	3282122	110	170	45	220000	360000	4500	5300	3.610
NN3022 K	3182122	110	170	45	220000	360000	4500	5300	3.610
NN3024	3282124	120	180	46	242000	390000	4300	5000	3.940
NN3024 K	3182124	120	180	46	242000	390000	4300	5000	3.940
NN3026	3282126	130	200	52	290000	500000	3800	4500	5.790
NN3026 K	3182126	130	200	52	290000	500000	3800	4500	5.790
NN3028	3282128	140	210	53	300000	520000	3600	4300	6.220
NN3028 K	3182128	140	210	53	300000	520000	3600	4300	6.220
NN3030	3282130	150	225	56	335000	585000	3400	4000	7.580
NN3030 K	3182130	150	225	56	335000	585000	3400	4000	7.580
NN3032	3282132	160	240	60	375000	670000	3200	3800	9.230
NN3032 K	3182132	160	240	60	375000	670000	3200	3800	9.230
NN3034	3282134	170	260	67	450000	800000	3000	3600	12.500
NN3034 K	3182134	170	260	67	450000	800000	3000	3600	12.500
NN3036	3282136	180	280	74	570000	1000000	2800	3400	16.400
NN3036 K	3182136	180	280	74	570000	1000000	2800	3400	16.400
NN3038	3282138	190	290	75	585000	1040000	2600	3200	17.300
NN3038 K	3182138	190	290	75	585000	1040000	2600	3200	17.300
NN3040	3282140	200	310	82	655000	1200000	2400	3000	22.200
NN3040 K	3182140	200	310	82	655000	1200000	2400	3000	22.200
NN3044	3282144	220	340	90	800000	1460000	2200	2800	29.100
NN3044 K	3182144	220	340	90	800000	1460000	2200	2800	29.100
NN3048	3282148	240	360	92	850000	1560000	2000	2600	31.600
NN3048 K	3182148	240	360	92	850000	1560000	2000	2600	31.600
NN3052	3282152	260	400	104	1060000	2000000	1900	2400	46.200
NN3052 K	3182152	260	400	104	1060000	2000000	1900	2400	46.200
NN3056	3282156	280	420	106	1080000	2080000	1800	2200	49.700
NN3056 K	3182156	280	420	106	1080000	2080000	1800	2200	49.700
NN3060	3282160	300	460	118	1270000	2400000	1600	1900	68.800
NN3060 K	3182160	300	460	118	1270000	2400000	1600	1900	68.800
NN3064	3282164	320	480	121	1420000	2600000	1600	1900	74.200
NN3064 K	3182164	320	480	121	1420000	2600000	1600	1900	74.200
NN3068	3282168	340	520	133	1630000	3250000	1400	1700	99.300
NN3068 K	3182168	340	520	133	1630000	3250000	1400	1700	99.300
NN3072	3282172	360	540	134	1660000	3350000	1400	1700	104.000
NN3072 K	3182172	360	540	134	1660000	3350000	1400	1700	104.000
NN3076	3282176	380	560	135	1700000	3450000	1300	1600	110.000
NN3076 K	3182176	380	560	135	1700000	3450000	1300	1600	110.000
NN3080	3282180	400	600	148	2160000	4500000	1200	1500	143.000
NN3080 K	3182180	400	600	148	2160000	4500000	1200	1500	143.000
NN3084	3282184	420	620	150	2120000	4500000	1200	1500	150.000
NN3084 K	3182184	420	620	150	2120000	4500000	1200	1500	150.000
NN3088	3282188	440	650	157	2450000	5100000	1100	1400	172.000
NN3088 K	3182188	440	650	157	2450000	5100000	1100	1400	172.000
NN3092	3282192	460	680	163	2600000	5400000	1100	1400	197.000
NN3092 K	3182192	460	680	163	2600000	5400000	1100	1400	197.000
NN3096	3282196	480	700	165	2700000	5850000	1000	1300	206.000
NN3096 K	3182196	480	700	165	2700000	5850000	1000	1300	206.000

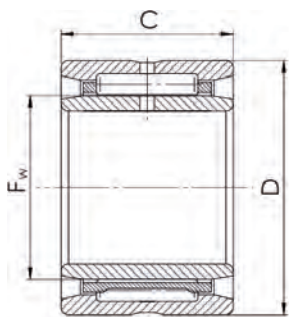


Features

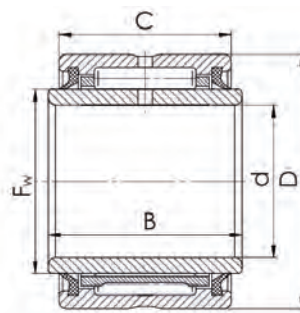
Needle bearings feature a smaller cross-section, higher load-carrying capacity, greater rigidity, and lower inertia forces that facilitate size and weight reductions in machinery. They're designed to withstand oscillation, perform under severe conditions, and interchange with sliding bearings. Diverse types of CRAFT bearings needle bearings are available in a wide variety of sizes and tolerances, for a multitude of applications.

Benefits

Needle roller bearings are smaller than general bearings but have a greater load carrying capacity. This advantage allows for more compact designs for bearings as well as for bearing housings. Use of these bearings lowers costs by allowing for lighter-weight machinery and more compact structures.



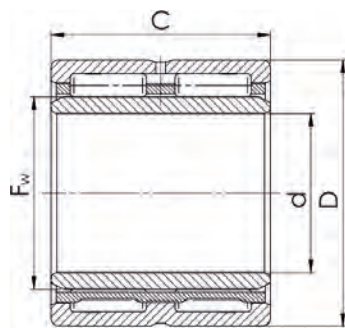
NA49



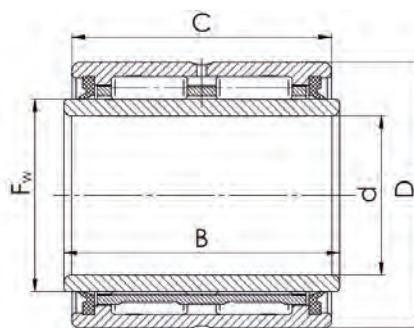
NA 49 2RS

ISO	Dimensions (mm)				Basic Load Rating (N)		Limiting speed (r/min)	Weight (kg)
	d	F _w	D	C	Dyn. C	Stat. C ₀		
NA4900	10	14	22	13	6880	7360	19200	0.0240
NA4900 2RS	10	14	14	22	6560	6960	11200	0.0245
NA4901	12	16	24	13	7640	8720	18400	0.0265
NA4901 2RS	12	16	14	24	6880	7600	9600	0.0275
NA4902	15	20	28	13	8240	10240	16000	0.0360
NA4902 2RS	15	20	14	28	7840	9520	7600	0.0360
NA4903	17	22	30	13	8960	11680	14400	0.0370
NA4903 2RS	17	22	14	30	8400	10720	6800	0.0395
NA4904	20	25	37	17	17040	20400	12800	0.0740
NA4904 2RS	20	25	18	37	14640	16720	6000	0.0785
NA49/22	22	28	39	17	18560	23440	11200	0.0800
NA49/22 2RS	22	28	18	39	14960	19280	5600	0.0875
NA4905	25	30	42	17	19200	25200	10400	0.0880
NA4905 2RS	25	30	18	42	16560	20480	5200	0.0925
NA49/28	28	32	45	17	19840	26800	10400	0.0980
NA49/28 2RS	28	32	18	45	17120	21840	4800	0.101
NA4906	30	35	47	17	20400	28400	8800	0.101
NA4906 2RS	30	35	18	47	17600	23200	4400	0.106
NA49/32	32	40	52	20	25200	38000	8000	0.157
NA49/32 2RS	32	40	21	52	23920	36000	4000	0.167
NA4907	35	42	55	20	25600	40000	7600	0.171
NA4907 2RS	35	42	21	55	24560	37760	3600	0.179
NA4908	40	48	62	22	34800	53200	6800	0.232
NA4908 2RS	40	48	23	62	30320	47600	3200	0.245
NA4909	45	52	68	22	36800	58400	6000	0.232
NA4909 2RS	45	52	23	68	31680	51760	2800	0.290
NA4910	50	58	72	22	38400	64000	5600	0.276
NA4910 2RS	50	58	23	72	33680	58000	2800	0.295
NA4911	55	63	80	25	46800	79600	5200	0.396
NA4911 2RS	55	63	26	80	42560	69920	2400	0.415
NA4912	60	68	85	25	49200	86400	4800	0.427
NA4912 2RS	60	68	26	85	44480	75680	2400	0.445
NA4913	65	72	90	25	50000	89600	4400	0.454
NA4913 2RS	65	72	26	90	46400	81600	2000	0.475
NA4914	70	80	100	30	68400	124800	4000	0.727
NA4914 2RS	70	80	31	100	62720	116800	2000	0.770
NA4915	75	85	105	30	69600	129600	3760	0.776
NA4915 2RS	75	85	31	105	64960	124800	1600	0.815
NA4916	80	90	110	30	72400	139200	3520	0.820
NA4916 2RS	80	90	31	110	65840	128800	1600	0.860
NA4917	85	100	120	35	89600	189600	3200	1.240
NA4917 2RS	85	100	36	120	84000	184000	1520	1.300
NA4918	90	105	125	35	92800	201600	3040	1.310

ISO	Dimensions (mm)				Basic Load Rating (N)		Limiting speed (r/min)	Weight (kg)
	d	Fw	D	C	Dyn. C	Stat. C ₀		
NA4918 2RS	90	105	36	125	86400	193600	1440	1.360
NA4919	95	110	30	35	94400	208000	2880	1.360
NA4919 2RS	95	110	36	130	89600	204000	1360	1.420
NA4920	100	115	140	40	101600	208000	2800	1.930
NA4920 2RS	100	115	41	140	109600	242400	1360	1.980
NA4922	110	125	150	40	104800	223200	2560	2.080
NA4922 2RS	110	125	41	150	114400	263200	1200	2.150
NA4924	120	135	165	45	144000	304000	2400	2.840
NA4924 2RS	120	135	46	165	145600	333600	1120	2.990
NA4926	130	150	180	50	161600	364000	2160	3.900
NA4926 2RS	130	150	51	180	168800	417600	1040	4.080
NA4928	140	160	190	50	167200	388000	2000	4.050
NA4928 2RS	140	160	51	190	174400	448000	960	4.340
NA4930	150	170	210	60	208800	488000	1920	6.380
NA4932	160	180	220	60	216000	520000	1760	6.750
NA4934	170	190	230	60	223200	552000	1680	7.110
NA4936	180	205	250	69	300000	712000	1600	10.200
NA4938	190	215	260	69	312000	756000	1520	10.700
NA4940	200	225	280	80	404000	944000	1440	15.400
NA4944	220	245	300	80	420000	1016000	1280	16.700
NA4948	240	265	320	80	432000	1080000	1200	18.000
NA4952	260	290	360	100	644000	1520000	1120	31.100
NA4956	280	310	380	100	668000	1624000	1040	33.100
NA4960	300	340	420	118	864000	2112000	960	51.400
NA4964	320	360	440	118	896000	2256000	880	54.400
NA4968	340	380	460	118	928000	2400000	880	57.300
NA4972	360	400	480	118	960000	2560000	800	60.200
NA4976	380	430	520	140	1120000	3000000	760	90.300
NA4980	400	450	540	140	1160000	3200000	720	94.400
NA4984	420	470	560	140	1200000	3400000	680	98.500
NA4988	440	490	600	160	1400000	3680000	640	131.000



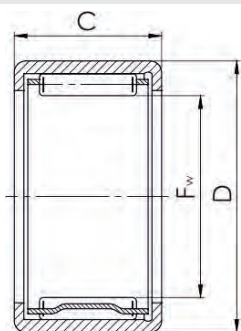
NA69



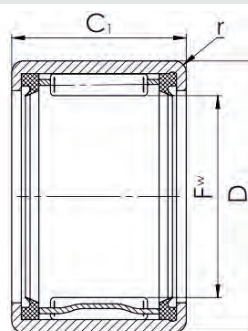
NA 69 2RS

ISO	Dimensions (mm)				Basic Load Rating (N)		Limiting speed (r/min)	Weight (kg)
	d	F _w	D	C	Dyn. C	Stat. C ₀		
NA6901	12	16	24	22	12300	16000	18400	0.046
NA6901 2RS	12	16	23	24	12720	16640	9600	0.0455
NA6902	15	20	28	23	14100	20240	16000	0.064
NA6902 2RS	15	20	24	28	15040	22080	7600	0.0625
NA6903	17	22	30	23	14560	21760	14400	0.069
NA6903 2RS	17	22	24	30	16160	24960	6800	0.0685
NA6904	20	25	37	30	29200	40400	12800	0.141
NA6904 2RS	20	25	31	37	26960	36320	6000	0.137
NA69/22	22	28	39	30	32000	46800	11200	0.154
NA69/22 2RS	22	28	31	39	27600	42400	5600	0.153
NA6905	25	30	42	30	33200	50400	10400	0.162
NA6905 2RS	25	30	31	42	32000	47840	5200	0.162
NA69/28	28	32	45	30	34400	53600	10400	0.179
NA69/28 2RS	28	32	31	45	31760	48240	4800	0.177
NA6906	30	35	47	30	34000	54000	8800	0.185
NA6906 2RS	30	35	31	47	32720	51440	4400	0.185
NA69/32	32	40	52	36	38000	65600	8000	0.286
NA69/32 2RS	32	40	37	52	41040	72080	4000	0.300
NA6907	35	42	55	36	39200	69200	7600	0.310
NA6907 2RS	35	42	37	55	42080	75520	3600	0.320
NA6908	40	48	62	40	53600	92800	6800	0.426
NA6908 2RS	40	48	41	62	52000	95200	3200	0.440
NA6909	45	52	68	40	56400	101600	6000	0.437
NA6909 2RS	45	52	41	68	54400	103200	2800	0.520
NA6910	50	58	72	40	59200	111200	5600	0.529
NA6910 2RS	50	58	41	72	57760	116000	2800	0.530
NA6911	55	63	80	45	75200	146400	5200	0.726
NA6911 2RS	55	63	46	80	72960	140000	2400	0.730
NA6912	60	68	85	45	76400	152800	4800	0.758
NA6912 2RS	60	68	46	85	76240	151200	2400	0.785
NA6913	65	72	90	45	77600	158400	4400	0.779
NA6913 2RS	65	72	46	90	79520	163200	2000	0.845
NA6914	70	80	100	54	104000	213600	4000	1.340
NA6914 2RS	70	80	55	100	100800	229600	2000	1.400
NA6915	75	85	105	54	105600	221600	3760	1.450
NA6915 2RS	75	85	55	105	104000	244000	1600	1.480
NA6916	80	90	110	54	109600	238400	3520	1.530
NA6916 2RS	80	90	55	110	108000	258400	1600	1.570
NA6917	85	100	120	63	135200	320000	3200	2.250
NA6917 2RS	85	100	64	120	136800	364800	1520	2.360

ISO	Dimensions (mm)				Basic Load Rating (N)		Limiting speed (r/min)	Weight (kg)
	d	F _w	D	C	Dyn. C	Stat. C ₀		
NA6918	90	105	125	63	140000	340000	3040	2.440
NA6918 2RS	90	105	64	125	140800	384000	1440	2.480
NA6919	95	110	130	63	141600	352000	2880	2.630
NA6919 2RS	95	110	64	130	144000	402400	1360	2.600



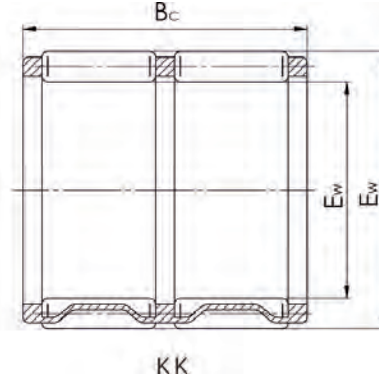
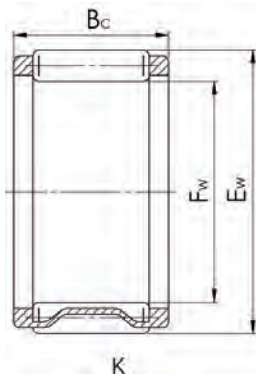
HK



HK-2RS

ISO	Dimensions (mm)			Basic Load Rating (N)		Limiting speed (r/min)	Weight (kg)
	F _w	D	C	Dyn. C	Stat. C ₀		
HK0306	3	6.5	6	984	672	36800	0.0010
HK0408	4	8	8	1424	1048	32800	0.0020
HK0509	5	9	9	1920	1592	30400	0.0020
HK0608	6	10	8	1624	1320	28000	0.0021
HK0609	6	10	9	2280	2080	28000	0.0025
HK0709	7	11	9	2480	2360	24800	0.0026
HK0808	8	12	8	2200	2080	22400	0.0027
HK0810	8	12	10	3040	3160	22400	0.0030
HK0812 2RS	8	12	12	2200	2080	16000	0.0033
HK0908	9	13	8	2840	3000	20000	0.0030
HK0910	9	13	10	3400	3720	20000	0.0040
HK0912	9	13	12	4240	5040	20000	0.0046
HK1010	10	14	10	3520	4080	18400	0.0041
HK1012	10	14	12	4400	5440	18400	0.0048
HK1014 2RS	10	14	14	3520	4080	13600	0.0046
HK1015	10	14	15	5440	7040	18400	0.0060
HK1216 2RS	12	18	16	5200	5840	11200	0.0110
HK1210	12	16	10	3960	4960	16000	0.0046
HK1212	12	18	12	5200	5840	15200	0.0090
HK1312	13	19	12	5440	6320	14400	0.0100
HK1412	14	20	12	5680	6800	12800	0.0105
HK1416 2RS	14	20	16	5680	6800	9600	0.0130
HK1512	15	21	12	6320	7520	12800	0.0110
HK1516	15	21	16	8400	11520	12800	0.0150
HK1516 2RS	15	21	16	6240	7840	8800	0.0150
HK1520 2RS	15	21	20	8400	11520	8800	0.0180
HK1612	16	22	12	6080	7760	12000	0.0120
HK1616	16	22	16	8720	12240	12000	0.0160
HK1616 2RS	16	22	16	6080	7760	8800	0.0140
HK1620 2RS	16	22	20	8720	12240	8800	0.0180
HK1712	17	23	12	6320	8240	11200	0.0120
HK1812	18	24	12	6480	8720	10400	0.0130
HK1816	18	24	16	9280	13840	10400	0.0180

ISO	Dimensions (mm)			Basic Load Rating (N)		Limiting speed (r/min)	Weight (kg)
	Fw	D	C	Dyn. C	Stat. C ₀		
HK1816 2RS	18	24	16	6480	8720	7600	0.0150
HK2010	20	26	10	5120	6560	9600	0.0120
HK2012	20	26	12	6880	9680	9600	0.0140
HK2016	20	26	16	10160	16080	9600	0.0190
HK2016 2RS	20	26	16	6880	9680	6800	0.0180
HK2020	20	26	20	12560	20800	9600	0.0240
HK2020 2RS	20	26	20	10160	16080	6800	0.0230
HK2210	22	28	10	6000	8400	8800	0.0130
HK2212	22	28	12	7280	10720	8800	0.0150
HK2216	22	28	16	10720	17680	8800	0.0210
HK2216 2RS	22	28	16	7280	10720	6400	0.0180
HK2220	22	28	20	13200	23200	8800	0.0260
HK2220 2RS	22	28	20	10120	17680	6400	0.0260
HK2512	25	32	12	8800	12160	8000	0.0200
HK2516	25	32	16	12480	19200	8000	0.0270
HK2516 2RS	25	32	16	8800	12160	5600	0.0270
HK2520	25	32	20	15920	26400	8000	0.0330
HK2520 2RS	25	32	20	12480	19200	5600	0.0310
HK2524 2RS	25	32	24	15920	26400	5600	0.0400
HK2526	25	32	26	20400	36000	8000	0.0440
HK2530 2RS	25	32	30	20400	36000	5600	0.0470
HK2816	28	35	16	13120	21200	7200	0.0290
HK2820	28	35	20	16720	28800	7200	0.0360
HK2820 2RS	28	35	20	13120	21200	4800	0.0340
HK3012	30	37	12	9680	14560	6800	0.0230
HK3016	30	37	16	13760	23200	6800	0.0310
HK3016 2RS	30	37	16	9680	14560	4800	0.0310
HK3020	30	37	20	17600	31600	6800	0.0390
HK3020 2RS	30	37	20	13760	23200	4800	0.0360
HK3024 2RS	30	37	24	17600	31600	4800	0.0440
HK3026	30	37	26	22400	43200	6800	0.0510
HK3512	35	42	12	10480	17040	6000	0.0270
HK3516	35	42	16	14960	26800	6000	0.0360
HK3516 2RS	35	42	16	10480	17040	4000	0.0320
HK3520	35	42	20	19040	36800	6000	0.0440
HK3520 2RS	35	42	20	14960	26800	4000	0.0410
HK4012	40	47	12	11200	19440	5200	0.0300
HK4016	40	47	16	16000	30800	5200	0.0390
HK4016 2RS	40	47	16	11200	19440	3600	0.0370
HK4020	40	47	20	20400	41600	5200	0.0540
HK4020 2RS	40	47	20	16000	30800	3600	0.0480
HK4512	45	52	12	11920	22000	4800	0.0330
HK4516	45	52	16	17040	34400	4800	0.0460
HK4520	45	52	20	21600	47200	4800	0.0560
HK4520 2RS	45	52	20	17040	34400	3600	0.0540
HK5020	50	58	20	24800	50400	4000	0.0700
HK5024 2RS	50	58	24	24800	50400	2880	0.0810
HK5025	50	58	25	30800	67200	4000	0.0900
HK5520	55	63	20	25200	53600	3760	0.0740
HK5528	55	63	28	35200	82400	3760	0.1050
HK6012	60	68	12	13920	25600	3520	0.0490
HK6020	60	68	20	26800	60000	3520	0.0810
HK6032	60	68	32	42400	108000	3520	0.1360



ISO	Dimensions (mm)			Basic Load Rating (N)		Limiting speed (r/min)	Weight (kg)
	F_w	E_w	B_c	Dyn. C	Stat. C_0		
K3X5X7	3	5	7	1232	1032	40000	0.0003
K3X5X9	3	5	9	1368	1184	40000	0.0004
K3X6X7	3	6	7	1144	776	37600	0.0004
K4X7X7	4	7	7	1392	1016	34400	0.0005
K4X7X10	4	7	10	1864	1472	34400	0.0007
K5X8X8	5	8	8	1880	1536	31200	0.0007
K5X8X10	5	8	10	2400	2120	31200	0.0009
K6X9X8	6	9	8	2080	1824	29600	0.0008
K6X9X10	6	9	10	2680	2520	29600	0.0011
K6X10X13	6	10	13	3040	2480	28000	0.0019
K7X9X7	7	9	7	1384	1416	28000	0.0006
K7X10X8	7	10	8	2280	2120	27200	0.0017
K8X11X8	8	11	8	2480	2400	25600	0.0018
K8X11X10	8	11	10	3160	3280	25600	0.0020
K8X11X13	8	11	13	4080	4640	25600	0.0032
K8X12X10	8	12	10	4000	3760	25600	0.0035
K9X12X10	9	12	10	3600	4000	24800	0.0029
K9X12X13	9	12	13	4720	5680	24800	0.0038
K10X13X10	10	13	10	3800	4400	23200	0.0032
K10X13X13	10	13	13	4960	6240	23200	0.0041
K10X13X16	10	13	16	5680	7440	23200	0.0051
K10X14X10	10	14	10	4640	4800	23200	0.0041
K10X16X12	10	16	12	6480	5760	22400	0.0081
K12X15X10	12	15	10	3920	4880	21600	0.0035
K12X15X13	12	15	13	5120	6800	21600	0.0045
K12X16X13	12	16	13	6400	7520	21600	0.0063
K12X17X13	12	17	13	7680	8320	20800	0.0081
K12X18X12	12	18	12	8000	7920	20800	0.0093
K14X18X10	14	18	10	5680	6800	20000	0.0040
K14X18X13	14	18	13	6560	8080	20000	0.0065
K14X18X15	14	18	15	7600	9840	20000	0.0083
K14X18X17	14	18	17	8640	11520	20000	0.0080
K14X20X12	14	20	12	8240	8480	19200	0.0085
K15X18X17	15	18	17	6400	9680	20000	0.0072
K15X19X10	15	19	10	6000	7360	19200	0.0050
K15X19X13	15	19	13	6800	8720	19200	0.0070
K15X19X17	15	19	17	9040	12480	19200	0.0095
K15X20X13	15	20	13	7920	9200	19200	0.0070
K15X21X15	15	21	15	11440	13120	19200	0.0110
K15X21X21	15	21	21	15520	19440	19200	0.0170
K16X20X10	16	20	10	6240	7920	19200	0.0055
K16X20X13	16	20	13	7120	9440	19200	0.0075
K16X20X17	16	20	17	9360	13440	19200	0.0100

ISO	Dimensions (mm)			Basic Load Rating (N)		Limiting speed (r/min)	Weight (kg)
	Fw	Ew	Bc	Dyn. C	Stat. C ₀		
K16X22X12	16	22	12	9200	10000	18400	0.0100
K16X22X16	16	22	16	11840	14000	18400	0.0120
K16X22X20	16	22	20	14640	18240	18400	0.0170
K16X24X20	16	24	20	17120	18800	17600	0.0220
K17X21X10	17	21	10	6480	8480	18400	0.0055
K17X21X13	17	21	13	8320	11680	18400	0.0065
K17X21X17	17	21	17	9760	14320	18400	0.0095
K18X22X10	18	22	10	6720	9040	17600	0.0060
K18X22X13	18	22	13	7360	10160	17600	0.0080
K18X22X17	18	22	17	9680	14400	17600	0.0110
K18X24X12	18	24	12	10240	11920	17600	0.0120
K18X24X13	18	24	13	10480	12240	17600	0.0130
K18X25X22	18	25	22	18480	23200	17600	0.0230
K19X23X13	19	23	13	7600	10800	17600	0.0080
K19X23X17	19	23	17	10000	15360	17600	0.0110
K20X24X10	20	24	10	7120	10080	16800	0.0065
K20X24X13	20	24	13	7840	11440	16800	0.0090
K20X24X17	20	24	17	10320	16320	16800	0.0120
K20X26X12	20	26	12	10720	12960	16800	0.0110
K20X26X13	20	26	13	11520	14320	16800	0.0120
K20X26X17	20	26	17	15360	20800	16800	0.0160
K20X26X20	20	26	20	16880	23200	16800	0.0190
K20X28X16	20	28	16	15840	17920	16000	0.0200
K20X28X20	20	28	20	19120	22800	16000	0.0270
K20X28X25	20	28	25	24400	31200	16000	0.0320
K20X30X30	20	30	30	28400	33200	16000	0.0490
K21X25X13	21	25	13	8080	12080	16800	0.0090
K22X26X10	22	26	10	7280	10720	16000	0.0075
K22X26X13	22	26	13	8320	12720	16000	0.0095
K22X26X17	22	26	17	10960	18160	16000	0.0120
K22X28X17	22	28	17	15520	21600	16000	0.0180
K22X29X16	22	29	16	16000	20400	15200	0.0160
K22X30X15	22	30	15	16080	18720	15200	0.0260
K22X32X24	22	32	24	27200	32000	14400	0.0430
K23X35X16	23	35	16	19600	19120	13600	0.0450
K24X28X10	24	28	10	7680	11840	15200	0.0085
K24X28X13	24	28	13	8800	14080	15200	0.0100
K24X28X17	24	28	17	11600	20000	15200	0.0130
K24X30X17	24	30	17	15600	22000	14400	0.0190
K24X30X31	24	30	31	22000	34800	14400	0.0320
K25X29X10	25	29	10	7920	12320	14400	0.0085
K25X29X13	25	29	13	9040	14720	14400	0.0110
K25X29X17	25	29	17	11920	20800	14400	0.0140
K25X30X17	25	30	17	14960	24000	14000	0.0160
K25X30X20	25	30	20	17360	29200	14400	0.0180
K25X30X26	25	30	26	17120	28400	14400	0.0190
K25X31X17	25	31	17	15680	22800	14400	0.0190
K25X31X21	25	31	21	19760	30400	14400	0.0200
K25X32X16	25	32	16	16640	22000	13600	0.0210
K25X33X20	25	33	20	22800	30400	13600	0.0330
K25X33X24	25	33	24	27200	37600	13600	0.0390
K25X35X30	25	35	30	37600	49600	12800	0.0650
K26X30X13	26	30	13	9280	15360	14400	0.0110
K26X30X17	26	30	17	12160	22000	14400	0.0150
K26X30X22	26	30	22	12560	22800	14400	0.0120
K28X33X13	28	33	13	12240	19360	12800	0.0130
K28X33X17	28	33	17	15760	26800	12800	0.0170
K28X34X17	28	34	17	17440	26800	12800	0.0240
K28X35X16	28	35	16	17200	23600	12800	0.0240

ISO	Dimensions (mm)			Basic Load Rating (N)		Limiting speed (r/min)	Weight (kg)
	Fw	Ew	Bc	Dyn. C	Stat. C ₀		
K28X35X18	28	35	18	19200	27200	12800	0.0270
K28X40X25	28	40	25	36400	44000	11200	0.0700
K30X34X13	30	34	13	9840	17360	12000	0.0140
K30X35X13	30	35	13	12480	20400	12000	0.0140
K30X35X17	30	35	17	15680	27200	12000	0.0190
K30X35X27	30	35	27	24400	47200	12000	0.0300
K30X37X16	30	37	16	18480	26800	12000	0.0270
K30X37X18	30	37	18	20800	30800	12000	0.0300
K30X40X18	30	40	18	25600	32000	11200	0.0480
K30X40X30	30	40	30	39200	55200	12000	0.0730
K32X37X13	32	37	13	12400	20400	11200	0.0180
K32X37X17	32	37	17	15920	28400	11200	0.0190
K32X37X27	32	37	27	24000	48000	11200	0.0300
K32X38X20	32	38	20	21200	36000	11200	0.0300
K32X39X16	32	39	16	19040	28400	11200	0.0370
K32X39X18	32	39	18	21200	32800	11200	0.0310
K32X40X25	32	40	25	30000	46400	11200	0.0490
K32X40X42	32	40	42	40000	67200	11200	0.0970
K32X46X32	32	46	32	52800	67200	10400	0.1190
K35X40X13	35	40	13	12960	22400	10400	0.0190
K35X40X17	35	40	17	16640	30800	10400	0.0210
K35X40X25	35	40	25	23600	48000	10400	0.0310
K35X40X27	35	40	27	20000	38800	10400	0.0410
K35X42X16	35	42	16	19520	30000	10400	0.0340
K35X42X18	35	42	18	22000	34400	10400	0.0340
K35X42X20	35	42	20	24000	39200	10400	0.0370
K35X42X30	35	42	30	31200	54400	10400	0.0670
K35X45X20	35	45	20	29600	40000	9600	0.0560
K35X45X30	35	45	30	42400	63200	9600	0.0800
K37X42X17	37	42	17	17920	34400	9600	0.0220
K38X43X17	38	43	17	16400	30800	9600	0.0290
K38X43X27	38	43	27	25200	54400	9600	0.0430
K38X46X20	38	46	20	28400	45600	9600	0.0470
K38X46X32	38	46	32	44000	79200	9600	0.0760
K39X44X26	39	44	26	22000	44800	9600	0.0450
K40X45X13	40	45	13	14080	26000	9600	0.0220
K40X45X17	40	45	17	17120	33200	9600	0.0310
K40X45X27	40	45	27	26400	58400	9600	0.0460
K40X47X18	40	47	18	23600	40000	8800	0.0390
K40X47X20	40	47	20	26000	45600	8800	0.0420
K40X48X20	40	48	20	28800	47200	8800	0.0490
K42X47X13	42	47	13	14240	26800	8800	0.0180
K42X47X17	42	47	17	17360	34400	8800	0.0320
K42X47X30	42	47	30	26800	60800	8800	0.0540
K42X50X20	42	50	20	28000	45600	8800	0.0530
K43X48X17	43	48	17	17280	34400	8800	0.0300
K43X48X27	43	48	27	26800	60000	8800	0.0500
K45X50X17	45	50	17	18000	36800	8000	0.0340
K45X50X27	45	50	27	27600	64000	8000	0.0510
K45X52X18	45	52	18	25200	45600	8000	0.0420
K45X53X20	45	53	20	31200	53600	8000	0.0550
K45X53X21	45	53	21	30800	53600	8000	0.0600
K45X53X28	45	53	28	41600	78400	8000	0.0810
K45X59X18	45	59	18	35200	43200	7600	0.1050
K45X59X32	45	59	32	58400	82400	7600	0.1480
K47X52X17	47	52	17	18640	39200	8000	0.0350
K47X52X27	47	52	27	28000	66400	8000	0.0510
K50X55X13.5	50	55	13.5	14560	29200	7600	0.0300
K50X55X17	50	55	17	17680	37600	7600	0.0350

ISO	Dimensions (mm)			Basic Load Rating (N)		Limiting speed (r/min)	Weight (kg)
	Fw	Ew	Bc	Dyn. C	Stat. C ₀		
K50X55X20	50	55	20	21200	48000	7600	0.0430
K50X55X30	50	55	30	31200	77600	7600	0.0650
K50X57X18	50	57	18	26800	50400	7200	0.0470
K50X58X20	50	58	20	28400	49600	7200	0.0750
K50X58X25	50	58	25	35200	64800	7200	0.0900
K52X57X12	52	57	12	14400	29200	7200	0.0240
K55X60X20	55	60	20	22800	52800	6800	0.0400
K55X60X27	55	60	27	30400	77600	6800	0.0600
K55X60X30	55	60	30	32800	86400	6800	0.0710
K55X62X18	55	62	18	28400	56000	6800	0.0520
K55X63X20	55	63	20	32000	59200	6800	0.0670
K55X63X25	55	63	25	40800	80800	6800	0.0800
K55X63X32	55	63	32	49600	104000	6800	0.1020
K58X65X18	58	65	18	28000	56000	6400	0.0520
K58X65X36	58	65	36	85600	10720	6400	0.1270
K60X65X20	60	65	20	23600	57600	6400	0.0520
K60X65X30	60	65	30	34000	92800	6400	0.0770
K60X66X33	60	66	33	36800	89600	6400	0.1040
K60X66X40	60	66	40	46400	120800	6400	0.1160
K60X68X20	60	68	20	34800	68000	6000	0.0710
K60X68X23	60	68	23	39600	80800	6000	0.0940
K60X68X25	60	68	25	42400	88800	6000	0.0890
K60X68X30	60	68	30	35600	70400	6000	0.1290
K60X75X42	60	75	42	94400	159200	6000	0.2400
K62X70X40	62	70	40	52800	116800	6000	0.1740
K64X70X16	64	70	16	22400	48000	6000	0.0530
K65X70X20	65	70	20	24400	61600	6000	0.0560
K65X70X30	65	70	30	35200	99200	6000	0.0830
K65X73X23	65	73	23	36800	75200	5600	0.1080
K65X73X30	65	73	30	45600	98400	5600	0.1410
K68X74X20	68	74	20	28400	67200	5600	0.0710
K68X74X30	68	74	30	37200	94400	5600	0.1000
K68X74X35	68	74	35	38800	100000	5600	0.1200
K70X76X20	70	76	20	28800	68800	5200	0.0710
K70X76X30	70	76	30	41600	11200	5200	0.1100
K70X78X30	70	78	30	48000	108000	5200	0.1480
K72X80X20	72	80	20	33200	68000	5200	0.0980
K73X79X20	73	79	20	29600	72000	5200	0.0750
K75X81X20	75	81	20	30000	75200	5200	0.0790
K75X81X30	75	81	30	41600	114400	5200	0.1140
K75X83X23	75	83	23	40000	87200	4800	0.1240
K75X83X30	75	83	30	49600	114400	4800	0.1470
K75X83X35	75	83	35	50400	117600	4800	0.1820
K75X83X40	75	83	40	58400	141600	4800	0.2110
K80X86X20	80	86	20	30800	78400	4800	0.0600
K80X88X30	80	88	30	56800	140800	4800	0.1380
K80X88X40	80	88	40	60800	153600	4800	0.2270
K80X88X46	80	88	46	70400	184800	4800	0.2600
K85X92X20	85	92	20	35600	86400	4400	0.1020
K90X97X20	90	97	20	36000	90400	4000	0.1090
K90X98X27	90	98	27	48800	120000	4000	0.1500
K90X98X30	90	98	30	54400	137600	4000	0.1720
K95X103X30	95	103	30	55200	144000	3920	0.1650
K95X103X40	95	103	40	66400	182400	3920	0.2660
K100X107X21	100	107	21	38400	101600	3760	0.1200
K100X108X27	100	108	27	45600	114400	3760	0.1850
K100X108X30	100	108	30	56800	150400	3760	0.1800
K105X112X21	105	112	21	38000	101600	3600	0.1290
K110X117X24	110	117	24	44800	126400	3440	0.1720

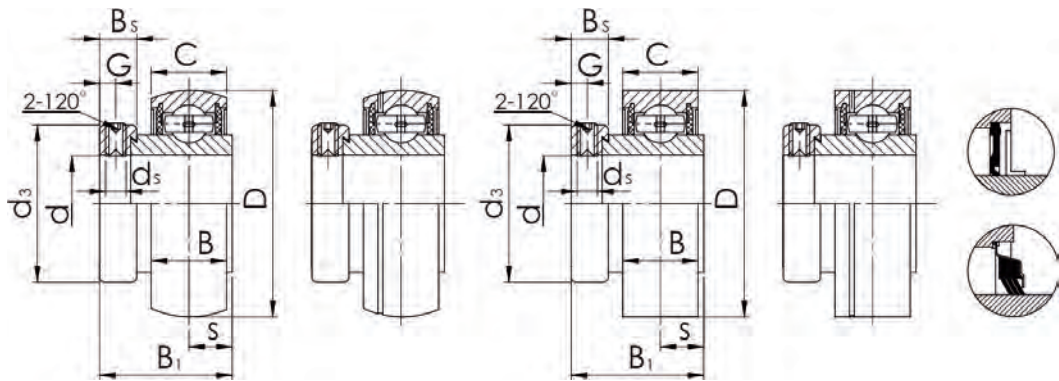
ISO	Dimensions (mm)			Basic Load Rating (N)		Limiting speed (r/min)	Weight (kg)
	Fw	Ew	Bc	Dyn. C	Stat. C ₀		
K110X118X30	110	118	30	62400	175200	3440	0.2170
K115X123X27	115	123	27	50400	136000	3280	0.2000
K120X127X24	120	127	24	47200	139200	3200	0.1650
K125X133X35	125	133	35	68800	208000	3040	0.2750
K130X137X24	130	137	24	48800	148800	2960	0.1700
K135X143X35	135	143	35	72800	232000	2800	0.3000
K145X153X26	145	153	26	59200	204000	2640	0.2620
K150X160X46	150	160	46	117600	376000	2560	0.5700
K155X163X26	155	163	26	60000	188800	2480	0.2650
K160X170X46	160	170	46	121600	408000	2400	0.5500
K165X173X26	165	173	26	64800	212000	2320	0.3200
K175X183X32	175	183	32	79200	280000	2160	0.4000
K185X195X37	185	195	37	102400	340000	2080	0.6070
K195X205X37	195	205	37	106400	360000	2000	0.6200
K210X220X42	210	220	42	123200	448000	1840	0.7400
K220X230X42	220	230	42	126400	472000	1760	0.7900
K240X250X42	240	250	42	131200	504000	1600	0.8500
K265X280X50	265	280	50	204000	688000	1440	1.8100



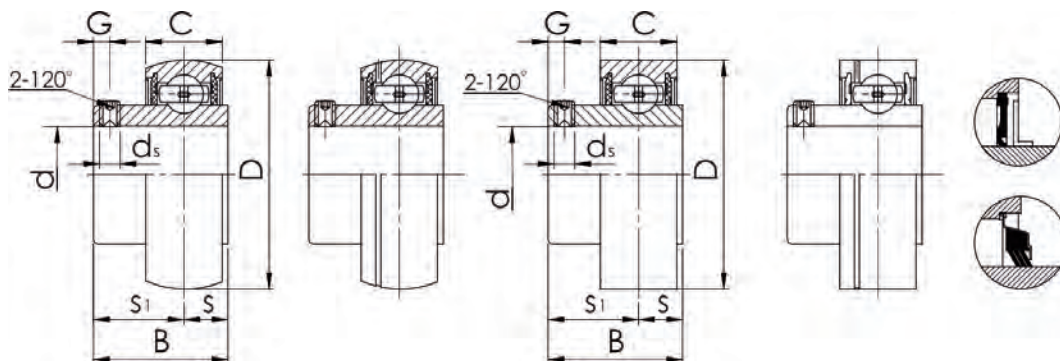
Subject	Symbol	Description
Series	SA	With eccentric locking collar
	SB	Inner ring extends on one side
	UK	Tapered bore
	UC	Inner ring extends on both sides

Features

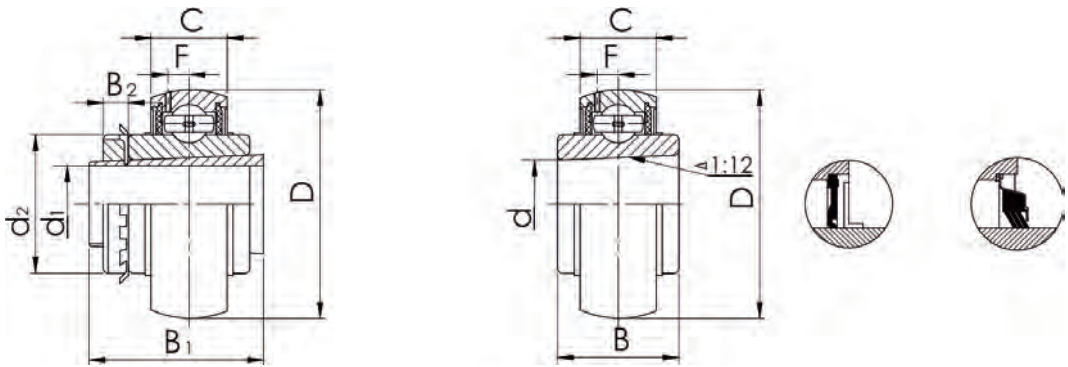
Insert bearings are used for mounting on shafts without the need for shoulders or adapters. The bearing is locked in place through setscrews or a locking collar. SB and UC designs are intended to provide extra shaft support. Sometimes insert bearings are simply standard radial bearings that fit into a housing and these bearings may be purchased as stand-alone products to use as replacements. While standard radial ball bearings must be pressed into a machined shaft, using special installation tools, insert bearings can be slip fit directly onto the shaft.



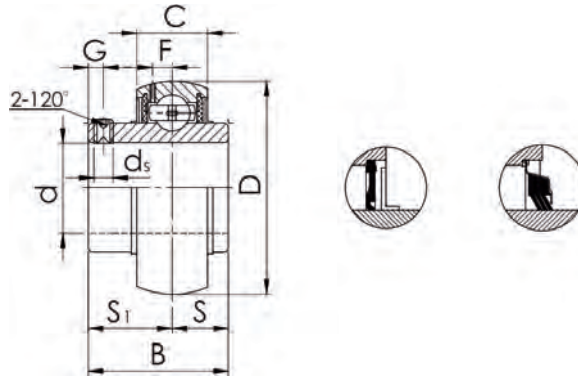
ISO	Dimensions (mm)										Basic Load Rating (N)		Weight (kg)
	d	D	B ₁	B	C	S	d _s	G	B _s	d ₃	Dyn. C	Stat. C ₀	
SA201	12	40	28.6	19.1	12	6.5	M6x1	4.8	13.5	28.6	7360	4480	0.120
SA202	15	40	28.6	19.1	12	6.5	M6x1	4.8	13.5	28.6	7360	4480	0.100
SA203	17	40	28.6	19.1	12	6.5	M6x1	4.8	13.5	28.6	7360	4480	0.090
SA204	20	47	31	21.5	14	7.5	M6x1	4.8	13.5	33.3	9880	6200	0.160
SA205	25	52	31	21.5	15	7.5	M6x1	4.8	13.5	38.1	10780	6980	0.200
SA206	30	62	35.7	23.8	16	9	M8x1	6	15.9	44.5	14970	10040	0.300
SA207	35	72	38.9	25.4	17	9.5	M8x1	6.8	17.5	55.6	19750	13670	0.420
SA208	40	80	43.7	30.2	18	11	M8x1	6.8	18.3	60.3	22710	15940	0.600
SA209	45	85	43.7	30.2	19	11	M8x1	6.8	18.3	63.5	24360	17710	0.760
SA210	50	90	43.7	30.2	20	11	M8x1	6.8	18.3	69.9	26980	19840	0.910
SA211	55	100	48.4	32.5	21	12	M10x1	8	20.7	76.2	33370	25110	1.260
SA212	60	110	53.1	37.2	22	13.5	M10x1	8	22.3	84.2	36740	27970	1.700



ISO	Dimensions (mm)									Basic Load Rating (N)		Weight (kg)
	d	D	B	C	S	S1	ds	G	Dyn. C	Stat. C ₀		
SB201	12	40	22	12	6	16	M5x0,8	4.5	7360	4480	0.100	
SB202	15	40	22	12	6	16	M5x0,8	4.5	7360	4480	0.100	
SB203	17	40	22	12	6	16	M5x0,8	4.5	7360	4480	0.090	
SB204	20	47	25	14	7	18	M6x1	4.5	9880	6200	0.130	
SB205	25	52	27	15	7.5	19.5	M6x1	5.5	10780	6980	0.160	
SB206	30	62	30	16	8	22	M6x1	6	14970	10040	0.250	
SB207	35	72	32	17	8.5	23.5	M8x1	6.5	19750	13670	0.380	
SB208	40	80	34	18	9	25	M8x1	7	22710	15940	0.600	
SB209	45	85	41.2	19	10.2	31	M8x1	8.2	24360	17710	0.800	
SB210	50	90	43.5	20	10.9	32.6	M10x1	9.2	26980	19840	0.800	
SB211	55	100	45.3	21	11.8	33.5	M10x1	9.8	33370	25110	1.100	
SB212	60	110	53.7	22	14.9	38.8	M10x1	9.8	36740	27970	1.300	



ISO	SLEEVE NO.	Dimensions (mm)										Basic Load Rating (N)		Weight (kg)
		d	D	B	C	d1	B1	B2	d2	F	Dyn. C	Stat. C ₀		
UK205	H2305	25	52	23	17	20	35	8	38	3.9	10780	6980	0.250	
UK206	H2306	30	62	26	19	25	38	8	45	5.0	14970	10040	0.360	
UK207	H2307	35	72	29	20	30	43	9	52	5.7	19750	13670	0.570	
UK208	H2308	40	80	31	21	35	46	10	58	6.2	22710	15940	0.740	
UK209	H2309	45	85	31	22	40	50	11	65	6.4	24360	17710	0.830	
UK210	H2310	50	90	32	24	45	55	12	70	6.5	26980	19840	0.970	
UK211	H2311	55	100	35	25	50	59	12	75	7.0	33370	25110	1.260	
UK212	H2312	60	110	38	27	55	62	13	80	7.6	36740	27970	1.590	
UK213	H2313	65	120	40	28	60	65	14	85	8.5	44010	34180	1.760	
UK215	H2315	75	130	44	30	65	73	15	98	9.2	50850	41260	2.320	
UK217	H2317	85	150	46	34	75	82	18	110	10.2	64010	53280	3.880	
UK218	H2318	90	160	47	36	80	86	18	120	11.2	73830	60760	4.740	



ISO	Dimensions (mm)										Basic Load Rating (N)		Weight (kg)
	d	D	B	C	S	S1	G	ds	F	Dyn. C	Stat. C ₀		
UC201	12	47	31	17	12.7	18.3	4.8	M6x1	3.7	9880	6200	0.200	
UC202	15	47	31	17	12.7	18.3	4.8	M6x1	3.7	9880	6200	0.190	
UC203	17	47	31	17	12.7	18.3	4.8	M6x1	3.7	9880	6200	0.180	
UC204	20	47	31	17	12.7	18.3	4.8	M6x1	3.7	9880	6200	0.160	
UC205	25	52	34.1	17	14.3	19.8	5	M6x1	3.9	10780	6980	0.200	
UC206	30	62	38.1	19	15.9	22.2	5	M6x1	5.0	14970	10040	0.320	
UC207	35	72	42.9	20	17.5	25.4	7	M8x1	5.7	19750	13670	0.480	
UC208	40	80	49.2	21	19	30.2	8	M8x1	6.2	22710	15940	0.640	
UC209	45	85	49.2	22	19	30.2	8	M8x1	6.4	24360	17710	0.680	
UC210	50	90	51.6	24	19	32.6	10	M10x1	6.5	26980	19840	0.800	
UC211	55	100	55.6	25	22.2	33.4	10	M10x1	7.0	33370	25110	1.110	
UC212	60	110	65.1	27	25.4	39.7	10	M10x1	7.6	36740	27970	1.540	
UC213	65	120	65.1	28	25.4	39.7	10	M10x1	8.5	44010	34180	1.850	
UC214	70	125	74.6	29	30.2	44.4	12	M12x1,5	8.9	46790	37590	2.050	
UC215	75	130	77.8	30	33.3	44.5	12	M12x1,5	9.2	50850	41260	2.210	
UC216	80	140	82.6	32	33.3	49.3	12	M12x1,5	9.5	55040	45090	2.800	
UC217	85	150	85.7	34	34.1	51.6	12	M12x1,5	10.2	64010	53280	3.460	
UC218	90	160	96	36	39.7	56.3	12	M12x1,5	11.2	73830	60760	4.360	
UC305	25	62	38	20	15	23	6	M6x1	5.4	17220	11930	0.350	
UC306	30	72	43	23	17	26	6	M6x1	5.7	20770	14170	0.560	
UC307	35	80	48	25	19	29	8	M8x1	6.2	25660	17920	0.710	
UC308	40	90	52	27	19	33	10	M10x1	7.0	31350	22380	0.960	
UC309	45	100	57	30	22	35	10	M10x1	7.8	40660	30000	1.280	
UC310	50	110	61	32	22	39	12	M12x1,5	8.5	47580	35710	1.650	
UC311	55	120	66	34	25	41	12	M12x1,5	9.2	55050	41910	2.070	
UC312	60	130	71	36	26	45	12	M12x1,5	9.8	62880	48600	2.600	
UC313	65	140	75	38	30	45	12	M12x1,5	10.5	72210	56680	3.250	
UC314	70	150	78	40	33	45	12	M12x1,5	11.1	80100	63480	3.980	
UC315	75	160	82	42	32	50	14	M14x1,5	11.8	87250	71670	4.720	
UC316	80	170	86	44	34	52	14	M14x1,5	12.5	94570	80350	5.550	
UC317	85	180	96	46	40	56	16	M16x1,5	15.0	104100	91300	6.700	
UC318	90	190	96	48	40	56	16	M16x1,5	15.9	113000	103000	7.600	
UC319	95	200	103	50	41	62	16	M16x1,5	16.7	123000	116000	8.750	
UC320	100	215	108	54	42	66	18	M18x1,5	18.0	143000	128000	10.28	
UC321	105	225	112	56	44	68	18	M18x1,5	19.0	187000	163000	12.30	
UC322	110	240	117	60	46	71	18	M18x1,5	21.0	209000	183000	14.50	
UC324	120	260	126	64	51	75	18	M18x1,5	22.0	211000	184000	18.70	
UC326	130	280	135	68	54	81	20	M20x1,5	23.0	234000	204000	23.30	
UC328	140	300	145	73	59	86	20	M20x1,5	25.0	260000	227000	28.90	

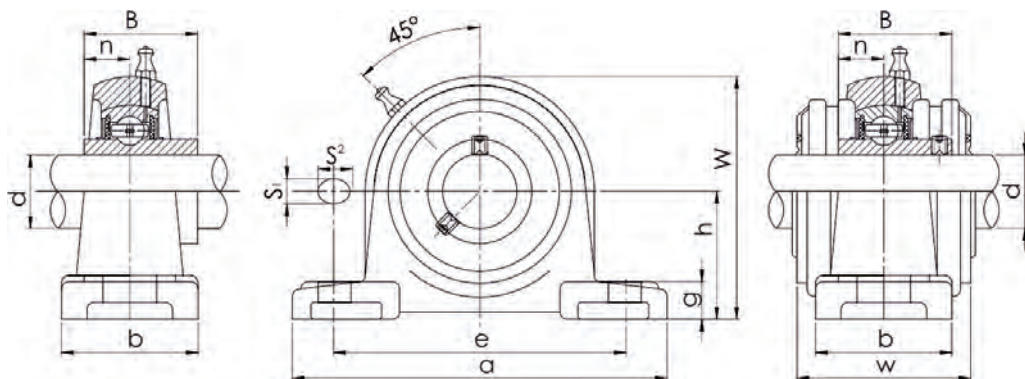
HOUSING UNITS

Series: UCP.. UCPA.. UCPH.. UCF.. UCFA.. UCFB.. UCFC.. UCFL.. UCT.. UCC.. UCHA..



Features

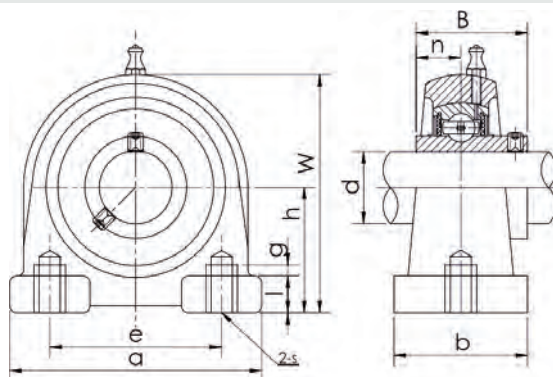
Cast-iron housing units serve as elements of the so called bearing units. These units are formed together with all kinds of insert ball bearings. Housing units can be divided into three types: P, F and T. P-type housings have fixing bores pointing out at right angle to the shaft axis, and they are commonly called "standing" housing units, whereas in the PA-version bores are made in the housing itself and in the A-type they are located in the housing's flanges. The fixing bores of F-type housing units are arranged parallel to the shaft axis. Square-shaped F-type has four bores, FL-type shaped as an extended ellipse has two fixing bores and the circular FC-type housing unit has four fixing bores. The most specific features has the T-type housing unit, called a tension-fixing housing. T-shape and the ability of adjusting the tension through a special fixing are the most distinguishing features of this housing unit. All housings are made of modified green cast iron and equipped with a valve delivering grease, whereas one shall pay special attention to the proper placement of the lubricating groove and bore in the mounted bearing. The designation structure of bearing units' symbols the system of creating designations for ready-to-use bearing units bases on the rule of combining the symbols of individual parts of the housing unit and bearing itself. CRAFT bearings housings can be filled with 2 types of insert bearing UC and UK.



ISO	Dimensions (mm)												Bolt Size	Bearing No.	Housing No.	Weight (kg)
	d (in)	d	h	a	e	b	s1	s2	g	w	B	n				
UCP201		12	30.2	127	95	38	13	19	14	62	31	12.7	M10	UC201	P201	0.69
UCP201-8	3/4	30.2	127	95	38	13	19	14	62	31	12.7	M10	UC201-8	P201	0.68	
UCP202		15	30.2	127	95	38	13	19	14	62	31	12.7	M10	UC202	P202	0.69
UCP202-9	9/16	30.2	127	95	38	13	19	14	62	31	12.7	M10	UC202-9	P202	0.68	
UCP02-10	5/8	30.2	127	95	38	13	19	14	62	31	12.7	M10	UC202-10	P202	0.68	
UCP203		17	30.2	127	95	38	13	19	14	62	31	12.7	M10	UC203	P203	0.68
UCP203-11	11/16	30.2	127	95	38	13	19	14	62	31	12.7	M10	UC203-11	P203	0.67	
UCP204		20	33.3	127	95	38	13	19	14	65	31	12.7	M10	UC204	P204	0.66
UCP204-12	3/4	33.3	127	95	38	13	19	14	65	31	12.7	M10	UC204-12	P204	0.66	
UCP205		25	36.5	140	105	38	13	19	15	71	34.1	14.3	M10	UC205	P205	0.81
UCP205-13	13/16	36.5	140	105	38	13	19	15	71	34.1	14.3	M10	UC205-13	P205	0.85	
UCP205-14	7/8	36.5	140	105	38	13	19	15	71	34.1	14.3	M10	UC205-14	P205	0.84	
UCP205-15	15/16	36.5	140	105	38	13	19	15	71	34.1	14.3	M10	UC205-15	P205	0.82	
UCP205-16	1	36.5	140	105	38	13	19	15	71	34.1	14.3	M10	UC205-16	P205	0.81	
UCP206		30	42.9	165	121	48	17	20	17	84	38.1	15.9	M14	UC206	P206	1.24
UCP206-17	1-1/16	42.9	165	121	48	17	20	17	84	38.1	15.9	M14	UC206-17	P206	1.25	
UCP206-18	1-1/8	42.9	165	121	48	17	20	17	84	38.1	15.9	M14	UC206-18	P206	1.26	
UCP206-19	1-3/16	42.9	165	121	48	17	20	17	84	38.1	15.9	M14	UC206-19	P206	1.24	
UCP206-20	1-1/4	42.9	165	121	48	17	20	17	84	38.1	15.9	M14	UC206-20	P206	1.23	
UCP207		35	47.6	167	127	48	17	20	18	93	42.9	17.5	M14	UC207	P207	1.58
UCP207-20	1-1/4	47.6	167	127	48	17	20	18	93	42.9	17.5	M14	UC207-20	P207	1.64	
UCP207-21	1-5/16	47.6	167	127	48	17	20	18	93	42.9	17.5	M14	UC207-21	P207	1.61	
UC207-22	1-3/8	47.6	167	127	48	17	20	18	93	42.9	17.5	M14	UC207-22	P207	1.58	
UCP207-23	1-7/16	47.6	167	127	48	17	20	18	93	42.9	17.5	M14	UC207-23	P207	1.55	
UCP208		40	49.2	184	137	54	17	20	18	100	49.2	19	M14	UC208	P208	1.89
UCP208-24	1-1/2	49.2	184	137	54	17	20	18	100	49.2	19	M14	UC208-24	P208	1.93	
UCP208-25	1-9/16	49.2	184	137	54	17	20	18	100	49.2	19	M14	UC208-25	P208	1.9	
UCP209		45	54	190	146	54	17	20	20	106	49.2	19	M14	UC209	P209	2.14
UCP209-26	1-5/8	54	190	146	54	17	20	20	106	49.2	19	M14	UC209-26	P209	2.24	
UCP209-27	1-11/16	54	190	146	54	17	20	20	106	49.2	19	M14	UC209-27	P209	2.2	
UCP209-28	1-3/4	54	190	146	54	17	20	20	106	49.2	19	M14	UC209-28	P209	2.16	
UCP210		50	57.2	206	159	60	20	23	21	113	51.6	19	M16	UC210	P210	2.66
UCP210-29	1-13/16	57.2	206	159	60	20	23	21	113	51.6	19	M16	UC210-29	P210	2.78	
UCP210-30	1-7/8	57.2	206	159	60	20	23	21	113	51.6	19	M16	UC210-30	P210	2.73	
UCP210-31	1-15/16	57.2	206	159	60	20	23	21	113	51.6	19	M16	UC210-31	P210	2.68	
UCP210-32	2	57.2	206	159	60	20	23	21	113	51.6	19	M16	UC210-32	P210	2.64	
UCP211		55	63.5	219	171	60	20	23	23	125	55.6	22.2	M16	UC211	P211	3.31
UCP211-32	2	63.5	219	171	60	20	23	23	125	55.6	22.2	M16	UC211-32	P211	3.46	
UCP211-33	2-1/16	63.5	219	171	60	20	23	23	125	55.6	22.2	M16	UC211-33	P211	3.4	
UCP211-34	2-1/8	63.5	219	171	60	20	23	23	125	55.6	22.2	M16	UC211-34	P211	3.35	
UCP211-35	2-3/16	63.5	219	171	60	20	23	23	125	55.6	22.2	M16	UC211-35	P211	3.29	
UCP212		60	69.8	241	184	70	20	23	25	138	65.1	25.4	M16	UC212	P212	4.90
UCP212-36	2-1/4	69.8	241	184	70	20	23	25	138	65.1	25.4	M16	UC212-36	P212	5.03	

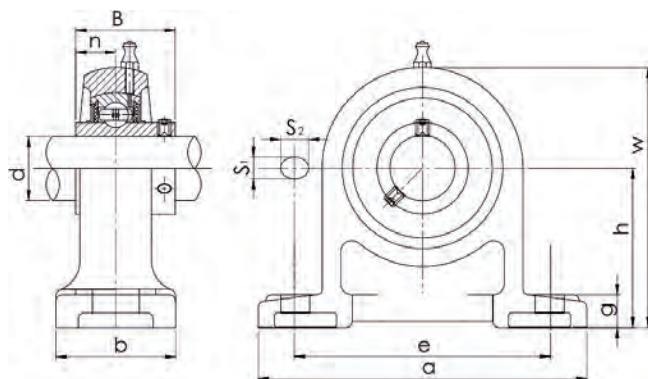
ISO	Dimensions (mm)												Bolt Size	Bearing No.	Housing No.	Weight (kg)
	d (in)	d	h	a	e	b	s1	s2	g	w	B	n				
UCP212-37	2-5/16		69.8	241	184	70	20	23	25	138	65.1	25.4	M16	UC212-37	P212	4.95
UCP212-38	2-3/8		69.8	241	184	70	20	23	25	138	65.1	25.4	M16	UC212-38	P212	4.88
UCP212-39	2-7/16		69.8	241	184	70	20	23	25	138	65.1	25.4	M16	UC212-39	P212	4.81
UCP213		65	76.2	265	203	70	25	28	27	150	65.1	25.4	M20	UC213	P213	5.15
UCP213-40	2-1/2		76.2	265	203	70	25	28	27	150	65.1	25.4	M20	UC213-40	P213	5.24
UCP213-41	2-9/16		76.2	265	203	70	25	28	27	150	65.1	25.4	M20	UC213-41	P213	5.15
UCP214		70	79.4	266	210	72	25	28	27	156	74.6	30.2	M20	UC214	P214	6.20
UCP214-42	2-5/8		79.4	266	210	72	25	28	27	156	74.6	30.2	M20	UC214-42	P214	6.41
UCP214-43	2-11/16		79.4	266	210	72	25	28	27	156	74.6	30.2	M20	UC214-43	P214	8.57
UCP214-44	2-3/4		79.4	266	210	72	25	28	27	156	74.6	30.2	M20	UC214-44	P214	8.47
UCP215		75	82.6	275	217	74	25	28	28	162	77.8	33.3	M20	UC215	P215	7.16
UCP215-45	2-13/16		82.6	275	217	74	25	28	28	162	77.8	33.3	M20	UC215-45	P215	7.41
UCP215-46	2-7/8		82.6	275	217	74	25	28	28	162	77.8	33.3	M20	UC215-46	P215	7.3
UCP215-47	2-15/16		82.6	275	217	74	25	28	28	162	77.8	33.3	M20	UC215-47	P215	7.19
UCP215-48	3		82.6	275	217	74	25	28	28	162	77.8	33.3	M20	UC215-48	P215	7.07
UCP216		80	88.9	292	232	78	25	28	30	174	82.6	33.2	M20	UC216	P216	8.10
UCP216-49	3-1/16		88.9	292	232	78	25	28	30	174	82.6	33.2	M20	UC216-49	P216	8.28
UCP216-50	3-1/8		88.9	292	232	78	25	28	30	174	82.6	33.2	M20	UC216-50	P216	8.15
UCP216-51	3-3/16		88.9	292	232	78	25	28	30	174	82.6	33.2	M20	UC216-51	P216	8.10
UCP217		85	95.2	310	247	83	25	28	32	185	85.7	34.1	M20	UC217	P217	9.81
UCP217-52	3-1/4		95.2	310	247	83	25	28	32	185	85.7	34.1	M20	UC217-52	P217	10.03
UCP217-53	3-5/16		95.2	310	247	83	25	28	32	185	85.7	34.1	M20	UC217-53	P217	9.89
UCP217-55	3-7/16		95.2	310	247	83	25	28	32	185	85.7	34.1	M20	UC217-55	P217	9.60
UCP218		90	101.6	327	262	88	27	30	33	198	96	39.7	M22	UC218	P218	11.96
UCP218-56	3-1/2		101.6	327	262	88	27	30	33	198	96	39.7	M22	UC218-56	P218	12.07
UCP305		25	45	175	132	45	17	20	15	85	38	38	M14	UC305	P305	1.40
UCP305-14	7/8		45	175	132	45	17	20	15	85	38	38	M14	UC305-14	P305	1.40
UCP305-15	15/16		45	175	132	45	17	20	15	85	38	38	M14	UC305-15	P305	1.40
UCP305-16	1		45	175	132	45	17	20	15	85	38	38	M14	UC305-16	P305	1.40
UCP306		30	50	180	140	50	17	20	18	95	43	17	M14	UC306	P306	1.80
UCP306-18	1-1/8		50	180	140	50	17	20	18	95	43	17	M14	UC306-18	P306	1.80
UCP306-19	1-3/16		50	180	140	50	17	20	18	95	43	17	M14	UC306-19	P306	1.80
UCP307		35	56	210	160	56	17	25	20	106	48	19	M14	UC307	P307	2.80
UCP307-20	1-1/4		56	210	160	56	17	25	20	106	48	19	M14	UC307-20	P307	2.80
UCP307-21	1-5/16		56	210	160	56	17	25	20	106	48	19	M14	UC307-21	P307	2.80
UCP307-22	1-3/8		56	210	160	56	17	25	20	106	48	19	M14	UC307-22	P307	2.80
UCP308		40	60	220	170	60	17	27	22	116	52	19	M14	UC308	P308	3.00
UCP308-24	1-1/2		60	220	170	60	17	27	22	116	52	19	M14	UC308-24	P308	3.00
UCP308-25	1-9/16		60	220	170	60	17	27	22	116	52	19	M14	UC308-25	P308	3.00
UCP309		45	67	245	190	67	20	30	24	129	57	22	M16	UC309	P309	4.10
UCP309-26	1-5/8		67	245	190	67	20	30	24	129	57	22	M16	UC309-26	P309	4.10
UCP309-27	1-11/16		67	245	190	67	20	30	24	129	57	22	M16	UC309-27	P309	4.10
UCP309-28	1-3/4		67	245	190	67	20	30	24	129	57	22	M16	UC309-28	P309	4.10
UCP310		50	75	275	212	75	20	35	27	143	61	22	M16	UC310	P310	5.80
UCP310-30	1-7/8		75	275	212	75	20	35	27	143	61	22	M16	UC310-30	P310	5.80
UCP310-31	1-15/16		75	275	212	75	20	35	27	143	61	22	M16	UC310-31	P310	5.80
UCP311		55	80	310	236	80	20	38	30	154	66	25	M16	UC311	P311	7.40
UCP311-32	2		80	310	236	80	20	38	30	154	66	25	M16	UC311-32	P311	7.40
UCP311-34	2-1/8		80	310	236	80	20	38	30	154	66	25	M16	UC311-34	P311	7.40
UCP311-35	2-3/16		80	310	236	80	20	38	30	154	66	25	M16	UC311-35	P311	7.40
UCP312		60	85	330	250	85	25	38	32	165	71	26	M20	UC312	P312	9.40
UCP312-36	2-1/4		85	330	250	85	25	38	32	165	71	26	M20	UC312-36	P312	9.40
UCP312-38	2-3/8		85	330	250	85	25	38	32	165	71	26	M20	UC312-38	P312	9.40
UCP312-39	2-7/16		85	330	250	85	25	38	32	165	71	26	M20	UC312-39	P312	9.40
UCP313		65	90	340	260	90	25	38	33	176	75	30	M20	UC313	P313	10.00
UCP313-40	2-1/2		90	340	260	90	25	38	33	176	75	30	M20	UC313-40	P313	10.00
UCP314		70	95	360	280	90	27	40	35	187	78	33	M22	UC314	P314	12.00
UCP314-44	2-3/4		95	360	280	90	27	40	35	187	78	33	M22	UC314-44	P314	12.00
UCP315		75	100	380	290	100	27	40	35	198	82	32	M22	UC315	P315	14.00

ISO	Dimensions (mm)												Bolt Size	Bearing No.	Housing No.	Weight (kg)
	d (in)	d	h	a	e	b	s1	s2	g	w	B	n				
UCP315-48	3	100	380	290	100	27	40	35	198	82	32	M22	UC315-48	P315	14.00	
UCP316		80	106	400	300	110	27	40	40	210	86	34	M22	UC316	P316	18.00
UCP317		85	112	420	320	110	33	45	40	220	96	40	M27	UC317	P317	20.00
UCP317-52	3-1/4		112	420	320	110	33	45	40	220	96	40	M27	UC315-48	P317	20.00
UCP318		90	118	430	330	110	33	45	45	235	96	40	M27	UC318	P318	24.00
UCP318-56	3-1/2		118	430	330	110	33	45	45	235	96	40	M27	UC318-56	P318	24.00
UCP319		95	125	470	360	120	36	50	45	250	103	41	M30	UC319	P319	29.00
UCP319-60	3-3/4		125	470	360	120	36	50	45	250	103	41	M30	UC319-60	P319	29.00
UCP320		100	140	490	380	120	36	50	50	275	108	42	M30	UC320	P320	34.00
UCP320-64	4		140	490	380	120	36	50	50	275	108	42	M30	UC320-64	P320	34.00
UCP321		105	140	490	380	120	36	50	50	280	112	44	M30	UC321	P321	35.00
UCP322		110	150	520	400	140	40	55	55	300	117	46	M33	UC322	P322	42.00
UCP324		120	160	570	450	140	40	65	55	325	126	51	M33	UC324	P324	51.00
UCP326		130	180	600	480	140	40	75	55	355	135	54	M33	UC326	P326	65.00
UCP328		140	200	620	500	140	40	75	55	390	145	59	M33	UC328	P328	82.00

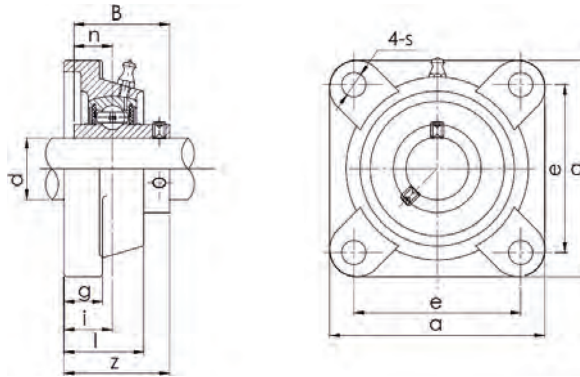


ISO	Dimensions (mm)												Bolt Size	Bearing No.	Housing No.	Weight (kg)
	d (in)	d	h	a	e	b	S	g	l	w	B	n				
UCPA201		12	30.2	76	52	40	M10	15	11	62	31	12.7	M10	UC201	PA201	0.60
UCPA201-8	3/4		30.2	76	52	40	M10	15	11	62	31	12.7	M10	UC201-8	PA201	0.59
UCPA202		15	30.2	76	52	40	M10	15	11	62	31	12.7	M10	UC202	PA202	0.6
UCPA202-9	9/16		30.2	76	52	40	M10	15	11	62	31	12.7	M10	UC202-9	PA202	0.59
UCPA202-10	5/8		30.2	76	52	40	M10	15	11	62	31	12.7	M10	UC202-10	PA202	0.59
UCPA203		17	30.2	76	52	40	M10	15	11	62	31	12.7	M10	UC203	PA203	0.58
UCPA203-11	11/16		30.2	76	52	40	M10	15	11	62	31	12.7	M10	UC203-11	PA203	0.57
UCPA204		20	30.2	76	52	40	M10	15	11	62	31	12.7	M10	UC204	PA204	0.56
UCPA204-12	3/4		30.2	76	52	40	M10	15	11	62	31	12.7	M10	UC204-12	PA204	0.56
UCPA205		25	36.5	84	56	38	M10	15	12	72	34.1	14.3	M10	UC205	PA205	0.83
UCPA205-13	13/16		36.5	84	56	38	M10	15	12	72	34.1	14.3	M10	UC205-13	PA205	0.87
UCPA205-14	7/8		36.5	84	56	38	M10	15	12	72	34.1	14.3	M10	UC205-14	PA205	0.86
UCPA205-15	15/16		36.5	84	56	38	M10	15	12	72	34.1	14.3	M10	UC205-15	PA205	0.84
UCPA205-16	1		36.5	84	56	38	M10	15	12	72	34.1	14.3	M10	UC205-16	PA205	0.83
UCPA206		30	42.9	94	66	50	M14	18	12	84	38.1	15.9	M14	UC206	PA206	1.12
UCPA206-17	1-1/16		42.9	94	66	50	M14	18	12	84	38.1	15.9	M14	UC206-17	PA206	1.13
UCPA206-18	1-1/8		42.9	94	66	50	M14	18	12	84	38.1	15.9	M14	UC206-18	PA206	1.14
UCPA206-19	1-3/16		42.9	94	66	50	M14	18	12	84	38.1	15.9	M14	UC206-19	PA206	1.12
UCPA206-20	1-1/4		42.9	94	66	50	M14	18	12	84	38.1	15.9	M14	UC206-20	PA206	1.11
UCPA207		35	47.6	110	80	55	M14	20	13	95	42.9	17.5	M14	UC207	PA207	1.48
UCPA207-20	1-1/4		47.6	110	80	55	M14	20	13	95	42.9	17.5	M14	UC207-20	PA207	1.54
UCPA207-21	1-5/16		47.6	110	80	55	M14	20	13	95	42.9	17.5	M14	UC207-21	PA207	1.51

ISO	Dimensions (mm)												Bolt Size	Bearing No.	Housing No.	Weight (kg)
	d (in)	d	h	a	e	b	S	g	l	w	B	n				
UCPA207-22	1-3/8		47.6	110	80	55	M14	20	13	95	42.9	17.5	M14	UC207-22	PA207	1.48
UCPA207-23	1-7/16		47.6	110	80	55	M14	20	13	95	42.9	17.5	M14	UC207-23	PA207	1.45
UCPA208		40	49.2	116	84	58	M14	20	13	100	49.2	19	M14	UC208	PA208	1.89
UCPA208-24	1-1/2		49.2	116	84	58	M14	20	13	100	49.2	19	M14	UC208-24	PA208	1.93
UCPA208-25	1-9/16		49.2	116	84	58	M14	20	13	100	49.2	19	M14	UC208-25	PA208	1.90
UCPA209		45	54.2	120	90	60	M14	25	13	108	49.2	19	M14	UC209	PA209	1.98
UCPA209-26	1-5/8		54.2	120	90	60	M14	25	13	108	49.2	19	M14	UC209-26	PA209	2.08
UCPA209-27	1-11/16		54.2	120	90	60	M14	25	13	108	49.2	19	M14	UC209-27	PA209	2.04
UCPA209-28	1-3/4		54.2	120	90	60	M14	25	13	108	49.2	19	M14	UC209-28	PA209	2.00
UCPA210		50	57.2	130	94	64	M16	25	14	116	51.6	19	M16	UC210	PA210	2.16
UCPA210-29	1-13/16		57.2	130	94	64	M16	25	14	116	51.6	19	M16	UC210-29	PA210	2.28
UCPA210-30	1-7/8		57.2	130	94	64	M16	25	14	116	51.6	19	M16	UC210-30	PA210	2.23
UCPA210-31	1-15/16		57.2	130	94	64	M16	25	14	116	51.6	19	M16	UC210-31	PA210	2.18
UCPA210-32	2		57.2	130	94	64	M16	25	14	116	51.6	19	M16	UC210-32	PA210	2.14
UCPA211		55	63.5	140	104	66	M16	25	14	125	55.6	22.2	M16	UC211	PA211	3.26
UCPA211-32	2		63.5	140	104	66	M16	25	14	125	55.6	22.2	M16	UC211-32	PA211	3.41
UCPA211-33	2-1/16		63.5	140	104	66	M16	25	14	125	55.6	22.2	M16	UC211-33	PA211	3.35
UCPA211-34	2-1/8		63.5	140	104	66	M16	25	14	125	55.6	22.2	M16	UC211-34	PA211	3.30
UCPA211-35	2-3/16		63.5	140	104	66	M16	25	14	125	55.6	22.2	M16	UC211-35	PA211	3.24
UCPA212		60	69.9	150	114	68	M16	25	15	138	65.1	25.4	M16	UC212	PA212	4.19
UCPA212-36	2-1/4		69.9	150	114	68	M16	25	15	138	65.1	25.4	M16	UC212-36	PA212	4.32
UCPA212-37	2-5/16		69.9	150	114	68	M16	25	15	138	65.1	25.4	M16	UC212-37	PA212	4.24
UCPA212-38	2-3/8		69.9	150	114	68	M16	25	15	138	65.1	25.4	M16	UC212-38	PA212	4.17
UCPA212-39	2-7/16		69.9	150	114	68	M16	25	15	138	65.1	25.4	M16	UC212-39	PA212	4.10
UCPA213		65	76.2	160	124	70	M16	25	15	150	65.1	25.4	M16	UC213	PA213	5.13
UCPA213-40	2-1/2		76.2	160	124	70	M17	25	15	150	65.1	25.4	M17	UC213-40	PA213	5.22
UCPA213-41	2-9/16		76.2	160	124	70	M18	25	15	150	65.1	25.4	M18	UC213-41	PA213	5.13



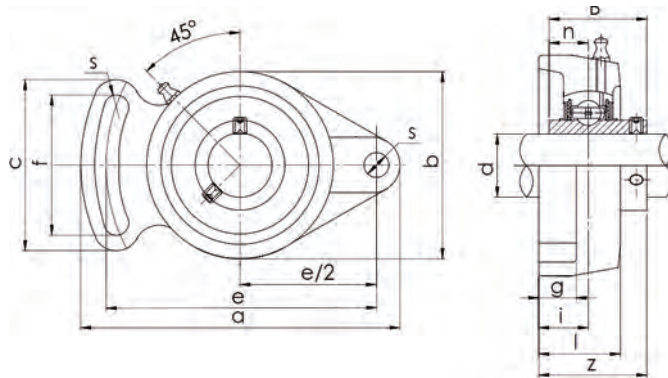
ISO	Dimensions (mm)												Bolt Size	Bearing No.	Housing No.	Weight (kg)
	d (in)	d	h	a	e	b	S1	S2	g	w	B	n				
UCPH201		12	70	127	95	40	13	19	15	101	31.0	12.7	M10	UC201	PH201	0.900
UCPH201-8	3/4		70	127	95	40	13	19	15	101	31.0	12.7	M10	UC201-8	PH201	0.890
UCPH202		15	70	127	95	40	13	19	15	101	31.0	12.7	M10	UC202	PH202	0.900
UCPH202-9	9/16		70	127	95	40	13	19	15	101	31.0	12.7	M10	UC202-9	PH202	0.890
UCPH202-10	5/8		70	127	95	40	13	19	15	101	31.0	12.7	M10	UC202-10	PH202	0.890
UCPH203		17	70	127	95	40	13	19	15	101	31.0	12.7	M10	UC203	PH203	0.800
UCPH203-11	11/16		70	127	95	40	13	19	15	101	31.0	12.7	M10	UC203-11	PH203	0.790
UCPH204		20	70	127	95	40	13	19	15	101	31.0	12.7	M10	UC204	PH204	0.970
UCPH204-12	3/4		70	127	95	40	13	19	15	101	31.0	12.7	M10	UC204-12	PH204	0.970
UCPH205		25	80	140	105	50	13	19	16	114	34.1	14.3	M10	UC205	PH205	1.010
UCPH205-13	13/16		80	140	105	50	13	19	16	114	34.1	14.3	M10	UC205-13	PH205	1.050
UCPH205-14	7/8		80	140	105	50	13	19	16	114	34.1	14.3	M10	UC205-14	PH205	1.040
UCPH205-15	15/16		80	140	105	50	13	19	16	114	34.1	14.3	M10	UC205-15	PH205	1.020
UCPH205-16	1		80	140	105	50	13	19	16	114	34.1	14.3	M10	UC205-16	PH205	1.010
UCPH206		30	90	161	121	50	17	21	17	130	38.1	15.9	M14	UC206	PH206	1.470
UCPH206-17	1-1/16		90	161	121	50	17	21	17	130	38.1	15.9	M14	UC206-17	PH206	1.480
UCPH206-18	1-1/8		90	161	121	50	17	21	17	130	38.1	15.9	M14	UC206-18	PH206	1.490
UCPH206-19	1-3/16		90	161	121	50	17	21	17	130	38.1	15.9	M14	UC206-19	PH206	1.470
UCPH206-20	1-1/4		90	161	121	50	17	21	17	130	38.1	15.9	M14	UC206-20	PH206	1.460
UCPH207		35	95	166	127	60	17	21	18	140	42.9	17.5	M14	UC207	PH207	1.910
UCPH207-20	1-1/4		95	166	127	60	17	21	18	140	42.9	17.5	M14	UC207-20	PH207	1.970
UCPH207-21	1-5/16		95	166	127	60	17	21	18	140	42.9	17.5	M14	UC207-21	PH207	1.940
UCPH207-22	1-3/8		95	166	127	60	17	21	18	140	42.9	17.5	M14	UC207-22	PH207	1.910
UCPH207-23	1-7/16		95	166	127	60	17	21	18	140	42.9	17.5	M14	UC207-23	PH207	1.880
UCPH208		40	100	178	137	70	17	21	19	150	49.2	19.0	M14	UC208	PH208	2.520
UCPH208-24	1-1/2		100	178	137	70	17	21	19	150	49.2	19.0	M14	UC208-24	PH208	2.560
UCPH208-25	1-9/16		100	178	137	70	17	21	19	150	49.2	19.0	M14	UC208-25	PH208	2.530
UCPH209		45	105	189	146	70	17	21	20	158	49.2	19.0	M16	UC209	PH209	2.720
UCPH209-26	1-5/8		105	189	146	70	17	21	20	158	49.2	19.0	M16	UC209-26	PH209	2.820
UCPH209-27	1-11/16		105	189	146	70	17	21	20	158	49.2	19.0	M16	UC209-27	PH209	2.780
UCPH209-28	1-3/4		105	189	146	70	17	21	20	158	49.2	19.0	M16	UC209-28	PH209	2.740
UCPH210		50	110	205	159	70	20	23	21	165	51.6	19.0	M16	UC210	PH210	3.100
UCPH210-29	1-13/16		110	205	159	70	20	23	21	165	51.6	19.0	M16	UC210-29	PH210	3.220
UCPH210-30	1-7/8		110	205	159	70	20	23	21	165	51.6	19.0	M16	UC210-30	PH210	3.170
UCPH210-31	1-15/16		110	205	159	70	20	23	21	165	51.6	19.0	M16	UC210-31	PH210	3.120
UCPH210-32	2		110	205	159	70	20	23	21	165	51.6	19.0	M16	UC210-32	PH210	3.080



ISO	Dimensions (mm)											Bolt Size	Bearing No.	Housing No.	Weight (kg)
	d (in)	d	a	e	i	g	l	s	z	B	n				
UCF201		12	86	64	15	12	25.5	12	33.3	31	12.7	M10	UC201	F201	0.60
UCF201-8	3/4		86	64	15	12	25.5	12	33.3	31	12.7	M10	UC201-8	F201	0.59
UCF202		15	86	64	15	12	25.5	12	33.3	31	12.7	M10	UC202	F202	0.59
UCF202-9	9/16		86	64	15	12	25.5	12	33.3	31	12.7	M10	UC202-9	F202	0.58
UCF202-10	5/8		86	64	15	12	25.5	12	33.3	31	12.7	M10	UC202-10	F202	0.58
UCF203		17	86	64	15	12	25.5	12	33.3	31	12.7	M10	UC203	F203	0.58
UCF203-11	11/16		86	64	15	12	25.5	12	33.3	31	12.7	M10	UC203-11	F203	0.57
UCF204		20	86	64	15	12	25.5	12	33.3	31	12.7	M10	UC204	F204	0.56
UCF204-12	3/4		86	64	15	12	25.5	12	33.3	31	12.7	M10	UC204-12	F204	0.56
UCF205		25	95	70	16	14	27	12	35.8	34.1	14.3	M10	UC205	F205	0.80
UCF205-13	13/16		95	70	16	14	27	12	35.8	34.1	14.3	M10	UC205-13	F205	0.84
UCF205-14	7/8		95	70	16	14	27	12	35.8	34.1	14.3	M10	UC205-14	F205	0.83
UCF205-15	15/16		95	70	16	14	27	12	35.8	34.1	14.3	M10	UC205-15	F205	0.81
UCF205-16	1		95	70	16	14	27	12	35.8	34.1	14.3	M10	UC205-16	F205	0.80
UCF206		30	108	83	18	14	31	12	40.2	38.1	15.9	M10	UC206	F206	1.12
UCF206-17	1-1/16		108	83	18	14	31	12	40.2	38.1	15.9	M10	UC206-17	F206	1.13
UCF206-18	1-1/8		108	83	18	14	31	12	40.2	38.1	15.9	M10	UC206-18	F206	1.14
UCF206-19	1-3/16		108	83	18	14	31	12	40.2	38.1	15.9	M10	UC206-19	F206	1.12
UCF206-20	1-1/4		108	83	18	14	31	12	40.2	38.1	15.9	M10	UC206-20	F206	1.11
UCF207		35	117	92	19	16	34	14	44.4	42.9	17.5	M12	UC207	F207	1.46
UCF207-20	1-1/4		117	92	19	16	34	14	44.4	42.9	17.5	M12	UC207-20	F207	1.52
UCF207-21	1-5/16		117	92	19	16	34	14	44.4	42.9	17.5	M12	UC207-21	F207	1.49
UCF207-22	1-3/8		117	92	19	16	34	14	44.4	42.9	17.5	M12	UC207-22	F207	1.46
UCF207-23	1-7/16		117	92	19	16	34	14	44.4	42.9	17.5	M12	UC207-23	F207	1.43
UCF208		40	130	102	21	16	36	16	51.2	49.2	19	M14	UC208	F208	1.84
UCF208-24	1-1/2		130	102	21	16	36	16	51.2	49.2	19	M14	UC208-24	F208	1.88
UCF208-25	1-9/16		130	102	21	16	36	16	51.2	49.2	19	M14	UC208-25	F208	1.85
UCF209		45	137	105	22	18	38	16	52.2	49.2	19	M14	UC209	F209	2.15
UCF209-26	1-5/8		137	105	22	18	38	16	52.2	49.2	19	M14	UC209-26	F209	2.25
UCF209-27	1-11/16		137	105	22	18	38	16	52.2	49.2	19	M14	UC209-27	F209	2.21
UCF209-28	1-3/4		137	105	22	18	38	16	52.2	49.2	19	M14	UC209-28	F209	2.17
UCF210		50	143	111	22	18	40	16	54.6	51.6	19	M14	UC210	F210	2.42
UCF210-29	1-13/16		143	111	22	18	40	16	54.6	51.6	19	M14	UC210-29	F210	2.54
UCF210-30	1-7/8		143	111	22	18	40	16	54.6	51.6	19	M14	UC210-30	F210	2.49
UCF210-31	1-15/16		143	111	22	18	40	16	54.6	51.6	19	M14	UC210-31	F210	2.44
UCF210-32	2		143	111	22	18	40	16	54.6	51.6	19	M14	UC210-32	F210	2.40
UCF211		55	162	130	25	20	43	19	58.4	55.6	22.2	M16	UC211	F211	3.31
UCF211-32	2		162	130	25	20	43	19	58.4	55.6	22.2	M16	UC211-32	F211	3.46
UCF211-33	2-1/16		162	130	25	20	43	19	58.4	55.6	22.2	M16	UC211-33	F211	3.40
UCF211-34	2-1/8		162	130	25	20	43	19	58.4	55.6	22.2	M16	UC211-34	F211	3.35
UCF211-35	2-3/16		162	130	25	20	43	19	58.4	55.6	22.2	M16	UC211-35	F211	3.29
UCF212		60	175	143	29	20	48	19	68.7	65.1	25.4	M16	UC212	F212	4.28
UCF212-36	2-1/4		175	143	29	20	48	19	68.7	65.1	25.4	M16	UC212-36	F212	4.41

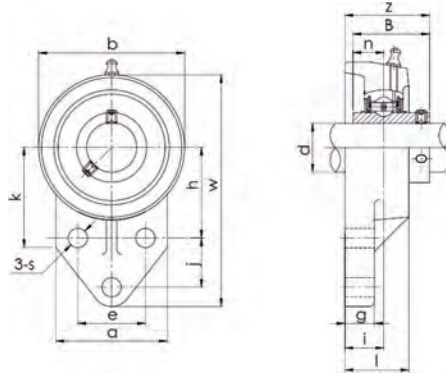
ISO	Dimensions (mm)											Bolt Size	Bearing No.	Housing No.	Weight (kg)
	d (in)	d	a	e	i	g	l	s	z	B	n				
UCF212-37	2-5/16		175	143	29	20	48	19	68.7	65.1	25.4	M16	UC212-37	F212	4.33
UCF212-38	2-3/8		175	143	29	20	48	19	68.7	65.1	25.4	M16	UC212-38	F212	4.26
UCF212-39	2-7/16		175	143	29	20	48	19	68.7	65.1	25.4	M16	UC212-39	F212	4.19
UCF213		65	187	149	30	22	50	19	69.7	65.1	25.4	M16	UC213	F213	4.99
UCF213-40	2-1/2		187	149	30	22	50	19	69.7	65.1	25.4	M16	UC213-40	F213	5.08
UCF213-41	2-9/16		187	149	30	22	50	19	69.7	65.1	25.4	M16	UC213-41	F213	4.99
UCF214		70	193	152	31	22	54	19	75.4	74.6	30.2	M16	UC214	F214	5.85
UCF214-42	2-5/8		193	152	31	22	54	19	75.4	74.6	30.2	M16	UC214-42	F214	6.06
UCF214-43	2-11/16		193	152	31	22	54	19	75.4	74.6	30.2	M16	UC214-43	F214	5.96
UCF214-44	2-3/4		193	152	31	22	54	19	75.4	74.6	30.2	M16	UC214-44	F214	5.86
UCF215		75	200	159	34	22	56	19	78.5	77.8	33.3	M16	UC215	F215	6.91
UCF215-45	2-13/16		200	159	34	22	56	19	78.5	77.8	33.3	M16	UC215-45	F215	7.16
UCF215-46	2-7/8		200	159	34	22	56	19	78.5	77.8	33.3	M16	UC215-46	F215	7.05
UCF215-47	2-15/16		200	159	34	22	56	19	78.5	77.8	33.3	M16	UC215-47	F215	6.94
UCF215-48	3		200	159	34	22	56	19	78.5	77.8	33.3	M16	UC215-48	F215	6.82
UCF216		80	208	165	34	22	58	23	83.3	82.6	33.3	M20	UC216	F216	7.50
UCF216-49	3-1/16		208	165	34	22	58	23	83.3	82.6	33.3	M20	UC216-49	F216	7.68
UCF216-50	3-1/8		208	165	34	22	58	23	83.3	82.6	33.3	M20	UC216-50	F216	7.55
UCF216-51	3-3/16		208	165	34	22	58	23	83.3	82.6	33.3	M20	UC216-51	F216	7.50
UCF217		85	220	175	36	24	63	23	87.6	85.7	34.1	M20	UC217	F217	9.66
UCF217-52	3-1/4		220	175	36	24	63	23	87.6	85.7	34.1	M20	UC217-52	F217	9.88
UCF217-53	3-5/16		220	175	36	24	63	23	87.6	85.7	34.1	M20	UC217-53	F217	9.74
UCF217-55	3-7/16		220	175	36	24	63	23	87.6	85.7	34.1	M20	UC217-55	F217	9.45
UCF218		90	235	187	40	24	68	23	96.3	96	39.7	M20	UC218	F218	12.06
UCF218-56	3-1/2		235	187	40	24	68	23	96.3	96	39.7	M20	UC218-56	F218	12.17
UCF305			235	187	40	24	68	23	96.3	96	39.7	M20	UC305	F305	1.10
UCF305-14	7/8	25	110	80	16	13	29	16	39	38	15	M14	UC305-14	F305	1.10
UCF305-15	15/16		110	80	16	13	29	16	39	38	15	M14	UC305-15	F305	1.10
UCF305-16	1		110	80	16	13	29	16	39	38	15	M14	UC305-16	F305	1.10
UCF306		30	125	95	18	15	32	16	44	43	17	M14	UC306	F306	1.60
UCF306-18	1-1/8		125	95	18	15	32	16	44	43	17	M14	UC306-18	F306	1.60
UCF306-19	1-3/16		125	95	18	15	32	16	44	43	17	M14	UC306-19	F306	1.60
UCF307		35	135	100	20	16	36	19	49	48	19	M16	UC307	F307	2.00
UCF307-20	1-1/4		135	100	20	16	36	19	49	48	19	M16	UC307-20	F307	2.00
UCF307-21	1-5/16		135	100	20	16	36	19	49	48	19	M16	UC307-21	F307	2.00
UCF307-22	1-3/8		135	100	20	16	36	19	49	48	19	M16	UC307-22	F307	2.00
UCF308		40	150	112	23	17	40	19	56	52	19	M16	UC308	F308	2.70
UCF308-24	1-1/2		150	112	23	17	40	19	56	52	19	M16	UC308-24	F308	2.70
UCF308-25	1-9/16		150	112	23	17	40	19	56	52	19	M16	UC308-25	F308	2.70
UCF309		45	160	125	25	18	44	19	60	57	22	M16	UC309	F309	3.40
UCF309-26	1-5/8		160	125	25	18	44	19	60	57	22	M16	UC309-26	F309	3.40
UCF309-27	1-11/16		160	125	25	18	44	19	60	57	22	M16	UC309-27	F309	3.40
UCF309-28	1-3/4		160	125	25	18	44	19	60	57	22	M16	UC309-28	F309	3.40
UCF310		50	175	132	28	19	48	23	67	61	22	M20	UC310	F310	4.50
UCF310-30	1-7/8		175	132	28	19	48	23	67	61	22	M20	UC310-30	F310	4.50
UCF310-31	1-15/16		175	132	28	19	48	23	67	61	22	M20	UC310-31	F310	4.50
UCF311		55	185	140	30	20	52	23	71	66	25	M20	UC311	F311	5.50
UCF311-32	2		185	140	30	20	52	23	71	66	25	M20	UC311-32	F311	5.50
UCF311-34	2-1/8		185	140	30	20	52	23	71	66	25	M20	UC311-34	F311	5.50
UCF311-35	2-3/16		185	140	30	20	52	23	71	66	25	M20	UC311-35	F311	5.50
UCF312		55	185	140	30	20	52	23	71	66	25	M20	UC312	F312	6.50
UCF312-36	2-1/4		185	140	30	20	52	23	71	66	25	M20	UC312-36	F312	6.50
UCF312-38	2-3/8		185	140	30	20	52	23	71	66	25	M20	UC312-38	F312	6.50
UCF312-39	2-7/16		185	140	30	20	52	23	71	66	25	M20	UC312-39	F312	6.50
UCF313		65	208	166	33	22	58	23	78	75	30	M20	UC313	F313	7.90
UCF313-40	2-1/2		208	166	33	22	58	23	78	75	30	M20	UC313-40	F313	7.90
UCF314		70	226	178	36	25	61	25	81	78	31	M22	UC314	F314	9.50
UCF314-44	2-3/4		226	178	36	25	61	25	81	78	31	M22	UC314-44	F314	9.50
UCF315		75	236	184	39	25	66	25	89	82	32	M22	UC315	F315	12.00

ISO	Dimensions (mm)											Bolt Size	Bearing No.	Housing No.	Weight (kg)
	d (in)	d	a	e	i	g	l	s	z	B	n				
UCF315-48	3		236	184	39	25	66	25	89	82	32	M22	UC315-48	F315	12.00
UCF316		80	250	196	38	27	68	31	90	86	34	M27	UC316	F316	14.00
UCF317		85	260	204	44	27	74	31	100	96	40	M27	UC317	F317	16.00
UCF317-48	3-1/4		260	204	44	27	74	31	100	96	40	M27	UC317-48	F317	16.00
UCF318		90	280	216	44	30	76	35	100	96	40	M30	UC318	F318	19.00
UCF318-56	3-1/2		280	216	44	30	76	35	100	96	40	M30	UC318-56	F318	19.00
UCF319		95	290	228	59	30	94	35	121	103	41	M30	UC319	F319	22.00
UCF319-60	3-3/4		290	228	59	30	94	35	121	103	41	M30	UC319-60	F319	22.00
UCF320		100	310	242	59	32	94	38	125	108	42	M33	UC320	F320	26.00
UCF320-64	4		310	242	59	32	94	38	125	108	42	M33	UC320-64	F320	26.00
UCF321		105	310	242	59	32	94	38	127	112	44	M33	UC321	F321	28.00
UCF322		110	340	266	60	35	96	41	131	117	46	M36	UC322	F322	32.00
UCF324		120	370	290	65	40	110	41	140	126	51	M36	UC324	F324	44.00
UCF326		130	410	320	65	45	115	41	146	135	54	M36	UC326	F326	58.00
UCF328		140	450	350	75	55	125	41	161	145	59	M36	UC328	F328	75.00



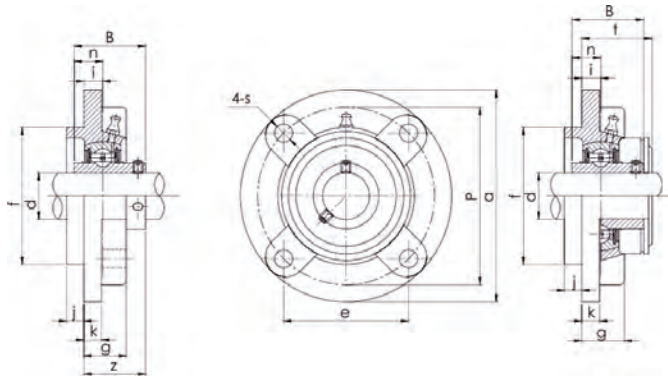
ISO	Dimensions (mm)														Bolt Size	Bearing No.	Housing No.	Weight (kg)
	d (in)	d	a	e	i	g	l	S	b	Z	f	c	B	n				
UCFA201		12	98	78	15	12	25.5	10	60	33.3	40	50	31.0	12.7	M8	UC201	FA201	0.50
UCFA201-8	3/4		98	78	15	12	25.5	10	60	33.3	40	50	31.0	12.7	M8	UC201-8	FA201	0.49
UCFA202		15	98	78	15	12	25.5	10	60	33.3	40	50	31.0	12.7	M8	UC202	FA202	0.49
UCFA202-9	9/16		98	78	15	12	25.5	10	60	33.3	40	50	31.0	12.7	M8	UC202-9	FA202	0.48
UCFA202-10	5/8		98	78	15	12	25.5	10	60	33.3	40	50	31.0	12.7	M8	UC202-10	FA202	0.48
UCFA203		17	98	78	15	12	25.5	10	60	33.3	40	50	31.0	12.7	M8	UC203	FA203	0.48
UCFA203-11	11/16		98	78	15	12	25.5	10	60	33.3	40	50	31	12.7	M8	UC203-11	FA203	0.47
UCFA204		20	98	78	15	12	25.5	10	60	33.3	40	50	31.0	12.7	M8	UC204	FA204	0.46
UCFA204-12	3/4		98	78	15	12	25.5	10	60	33.3	40	50	31	12.7	M8	UC204-12	FA204	0.46
UCFA205		25	124	98	16	14	27.0	13	70	35.8	51	65	34.1	14.3	M10	UC205	FA205	0.66
UCFA205-13	13/16		124	98	16	14	27.0	13	70	35.8	51	65	34.1	14.3	M10	UC205-13	FA205	0.70
UCFA205-14	7/8		124	98	16	14	27.0	13	70	35.8	51	65	34.1	14.3	M10	UC205-14	FA205	0.69
UCFA205-15	15/16		124	98	16	14	27.0	13	70	35.8	51	65	34.1	14.3	M10	UC205-15	FA205	0.67
UCFA205-16	1		124	98	16	14	27	13	70	35.8	51	65	34.1	14.3	M10	UC205-16	FA205	0.66
UCFA206		30	141	115	18	14	31.0	13	83	40.2	58	72	38.1	15.9	M10	UC206	FA206	0.93
UCFA206-17	1-1/16		141	115	18	14	31.0	13	83	40.2	58	72	38.1	15.9	M10	UC206-17	FA206	0.94
UCFA206-18	1-1/8		141	115	18	14	31.0	13	83	40.2	58	72	38.1	15.9	M10	UC206-18	FA206	0.95
UCFA206-19	1-3/16		141	115	18	14	31.0	13	83	40.2	58	72	38.1	15.9	M10	UC206-19	FA206	0.93
UCFA206-20	1-1/4		141	115	18	14	31	13	83	40.2	58	72	38.1	15.9	M10	UC206-20	FA206	0.92
UCFA207		35	155	128	19	16	34.0	15	96	44.4	66	82	42.9	17.5	M12	UC207	FA207	1.46
UCFA207-20	1-1/4		155	128	19	16	34.0	15	96	44.4	66	82	42.9	17.5	M12	UC207-20	FA207	1.52
UCFA207-21	1-5/16		155	128	19	16	34.0	15	96	44.4	66	82	42.9	17.5	M12	UC207-21	FA207	1.49

ISO	Dimensions (mm)															Bolt Size	Bearing No.	Housing No.	Weight (kg)
	d (in)	d	a	e	i	g	l	S	b	Z	f	c	B	n					
UCFA207-22	1-3/8	155	128	19	16	34.0	15	96	44.4	66	82	42.9	17.5	M12	UC207-22	FA207	1.46		
UCFA207-23	1-7/16	155	128	19	16	34	15	96	44.4	66	82	42.9	17.5	M12	UC207-23	FA207	1.43		
UCFA208	40	171	142	21	16	38.0	15	105	51.2	71	87	49.2	19.0	M12	UC208	FA208	1.78		
UCFA208-24	1-1/2	171	142	21	16	38.0	15	105	51.2	71	87	49.2	19.0	M12	UC208-24	FA208	1.82		
UCFA208-25	1-9/16	171	142	21	16	38	15	105	51.2	71	87	49.2	19	M12	UC208-25	FA208	1.79		
UCFA209	45	179	146	22	18	40.0	17	111	52.2	72	90	49.2	19.0	M14	UC209	FA209	2.03		
UCFA209-26	1-5/8	179	146	22	18	40.0	17	111	52.2	72	90	49.2	19.0	M14	UC209-26	FA209	2.13		
UCFA209-27	1-11/16	179	146	22	18	40.0	17	111	52.2	72	90	49.2	19.0	M14	UC209-27	FA209	2.09		
UCFA209-28	1-3/4	179	146	22	18	40	17	111	52.2	72	90	49.2	19	M14	UC209-28	FA209	2.05		
UCFA210	50	189	155	22	18	40.0	17	116	54.6	76	94	51.6	19.0	M14	UC210	FA210	2.23		
UCFA210-29	1-13/16	189	155	22	18	40.0	17	116	54.6	76	94	51.6	19.0	M15	UC210-29	FA210	2.35		
UCFA210-30	1-7/8	189	155	22	18	40.0	17	116	54.6	76	94	51.6	19.0	M16	UC210-30	FA210	2.30		
UCFA210-31	1-15/16	189	155	22	18	40.0	17	116	54.6	76	94	51.6	19.0	M17	UC210-31	FA210	2.25		
UCFA210-32	2	189	155	22	18	40.0	17	116	54.6	76	94	51.6	19.0	M18	UC210-32	FA210	2.21		



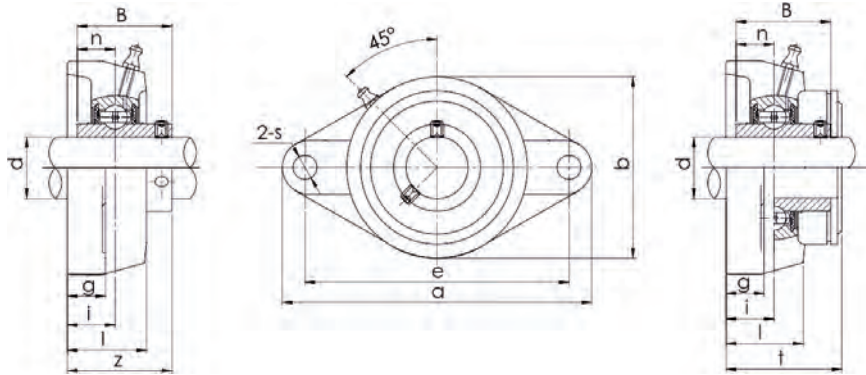
ISO	Dimensions (mm)															Bolt Size	Bearing No.	Housing No.	Weight (kg)
	d (in)	d	w	b	k	a	l	s	g	h	j	e	i	z	B				
UCFB201	12	110	62	52	52	25.5	10	13	42	27	32	15	33.3	31.0	12.7	M8	UC201	FB201	0.58
UCFB201-8	3/4	110	62	52	52	25.5	10	13	42	27	32	15	33.3	31.0	12.7	M8	UC201-8	FB201	0.57
UCFB202	15	110	62	52	52	25.5	10	13	42	27	32	15	33.3	31.0	12.7	M8	UC202	FB202	0.57
UCFB202-9	9/16	110	62	52	52	25.5	10	13	42	27	32	15	33.3	31.0	12.7	M8	UC202-9	FB202	0.56
UCFB202-10	5/8	110	62	52	52	25.5	10	13	42	27	32	15	33.3	31.0	12.7	M8	UC202-10	FB202	0.56
UCFB203	17	110	62	52	52	25.5	10	13	42	27	32	15	33.3	31.0	12.7	M8	UC203	FB203	0.56
UCFB203-11	11/16	110	62	52	52	25.5	10	13	42	27	32	15	33.3	31.0	12.7	M8	UC203-11	FB203	0.55
UCFB204	20	110	62	52	52	25.5	10	13	42	27	32	15	33.3	31.0	12.7	M8	UC204	FB204	0.54
UCFB204-12	3/4	110	62	52	52	25.5	10	13	42	27	32	15	33.3	31.0	12.7	M8	UC204-12	FB204	0.54
UCFB205	25	116	68	56	56	27.0	10	13	45	27	34	16	35.8	34.1	14.3	M8	UC205	FB205	0.79
UCFB205-13	13/16	116	68	56	56	27.0	10	13	45	27	34	16	35.8	34.1	14.3	M8	UC205-13	FB205	0.83
UCFB205-14	7/8	116	68	56	56	27.0	10	13	45	27	34	16	35.8	34.1	14.3	M8	UC205-14	FB205	0.82
UCFB205-15	15/16	116	68	56	56	27.0	10	13	45	27	34	16	35.8	34.1	14.3	M8	UC205-15	FB205	0.80
UCFB205-16	1	116	68	56	56	27.0	10	13	45	27	34	16	35.8	34.1	14.3	M8	UC205-16	FB205	0.79
UCFB206	30	130	78	65	65	31.0	10	13	50	29	40	18	40.2	38.1	15.9	M8	UC206	FB206	0.95
UCFB206-17	1-1/16	130	78	65	65	31.0	10	13	50	29	40	18	40.2	38.1	15.9	M8	UC206-17	FB206	0.96
UCFB206-18	1-1/8	130	78	65	65	31.0	10	13	50	29	40	18	40.2	38.1	15.9	M8	UC206-18	FB206	0.97
UCFB206-19	1-3/16	130	78	65	65	31.0	10	13	50	29	40	18	40.2	38.1	15.9	M8	UC206-19	FB206	0.95
UCFB206-20	1-1/4	130	78	65	65	31.0	10	13	50	29	40	18	40.2	38.1	15.9	M8	UC206-20	FB206	0.94
UCFB207	35	144	90	70	70	34.0	10	15	55	32	46	19	44.4	42.9	17.5	M8	UC207	FB207	1.29
UCFB207-20	1-1/4	144	90	70	70	34.0	10	15	55	32	46	19	44.4	42.9	17.5	M8	UC207-20	FB207	1.35
UCFB207-21	1-5/16	144	90	70	70	34.0	10	15	55	32	46	19	44.4	42.9	17.5	M8	UC207-21	FB207	1.32
UCFB207-22	1-3/8	144	90	70	70	34.0	10	15	55	32	46	19	44.4	42.9	17.5	M8	UC207-22	FB207	1.29

ISO	Dimensions (mm)															Bolt Size	Bearing No.	Housing No.	Weight (kg)	
	d (in)	d	w	b	k	a	l	s	g	h	j	e	i	z	B					n
UCFB207-23	1-7/16	144	90	70	70	34.0	10	15	55	32	46	19	44.4	42.9	17.5	M8	UC207-23	FB207	1.26	
UCFB208		40	164	100	78	78	36.0	12	16	60	41	50	21	51.2	49.2	19	M10	UC208	FB208	1.78
UCFB208-24	1-1/2	164	100	78	78	36.0	12	16	60	41	50	21	51.2	49.2	19	M10	UC208-24	FB208	1.82	
UCFB208-25	1-9/16	164	100	78	78	36.0	12	16	60	41	50	21	51.2	49.2	19	M10	UC208-25	FB208	1.79	
UCFB209		45	174	106	80	80	38.0	12	18	65	43	54	22	52.2	49.2	19	M10	UC209	FB209	1.91
UCFB209-26	1-5/8	174	106	80	80	38.0	12	18	65	43	54	22	52.2	49.2	19	M10	UC209-26	FB209	2.01	
UCFB209-27	1-11/16	174	106	80	80	38.0	12	18	65	43	54	22	52.2	49.2	19	M10	UC209-27	FB209	1.97	
UCFB209-28	1-3/4	174	106	80	80	38.0	12	18	65	43	54	22	52.2	49.2	19	M10	UC209-28	FB209	1.93	
UCFB210		50	184	112	86	86	40.0	12	18	68	46	58	22	54.6	51.6	19	M10	UC210	FB210	2.36
UCFB210-29	1-13/16	184	112	86	86	40.0	12	18	68	46	58	22	54.6	51.6	19	M10	UC210-29	FB210	2.48	
UCFB210-30	1-7/8	184	112	86	86	40.0	12	18	68	46	58	22	54.6	51.6	19	M10	UC210-30	FB210	2.43	
UCFB210-31	1-15/16	184	112	86	86	40.0	12	18	68	46	58	22	54.6	51.6	19	M10	UC210-31	FB210	2.38	
UCFB210-32	2	184	112	86	86	40.0	12	18	68	46	58	22	54.6	51.6	19	M10	UC210-32	FB210	2.34	
UCFB211		55	207	130	90	90	43.0	14	18	78	50	62	25	58.4	55.6	22.2	M12	UC211	FB211	3.15
UCFB211-32	2	207	130	90	90	43.0	14	18	78	50	62	25	58.4	55.6	22.2	M12	UC211-32	FB211	3.30	
UCFB211-33	2-1/16	207	130	90	90	43.0	14	18	78	50	62	25	58.4	55.6	22.2	M12	UC211-33	FB211	3.24	
UCFB211-34	2-1/8	207	130	90	90	43.0	14	18	78	50	62	25	58.4	55.6	22.2	M12	UC211-34	FB211	3.19	
UCFB211-35	2-3/16	207	130	90	90	43.0	14	18	78	50	62	25	58.4	55.6	22.2	M12	UC211-35	FB211	3.13	
UCFB212		60	223	140	94	94	48.0	14	18	84	55	66	29	68.7	65.1	25.4	M12	UC212	FB212	3.99
UCFB212-36	2-1/4	223	140	94	94	48.0	14	18	84	55	66	29	68.7	65.1	25.4	M12	UC212-36	FB212	4.12	
UCFB212-37	2-5/16	223	140	94	94	48.0	14	18	84	55	66	29	68.7	65.1	25.4	M12	UC212-37	FB212	4.04	
UCFB212-38	2-3/8	223	140	94	94	48.0	14	18	84	55	66	29	68.7	65.1	25.4	M12	UC212-38	FB212	3.97	
UCFB212-39	2-7/16	223	140	94	94	48.0	14	18	84	55	66	29	68.7	65.1	25.4	M12	UC212-39	FB212	3.90	



ISO	Dimensions (mm)															Bolt Size	Bearing No.	Housing No.	Weight (kg)
	d (in)	d	a	P	e	i	s	j	k	g	f	z	t	B	n				
UCFC201		12	100	78	55.1	10	12	5	7	20.5	62	28.3	32.5	31.0	12.7	M10	UC201	FC201	0.73
UCFC201-8	3/4	100	78	55.1	10	12	5	7	20.5	62	28.3	32.5	31.0	12.7	M10	UC201-8	FC201	0.72	
UCFC202		15	100	78	55.1	10	12	5	7	20.5	62	28.3	32.5	31.0	12.7	M10	UC202	FC202	0.72
UCFC202-9	9/16	100	78	55.1	10	12	5	7	20.5	62	28.3	32.5	31.0	12.7	M10	UC202-9	FC202	0.71	
UCFC202-10	5/8	100	78	55.1	10	12	5	7	20.5	62	28.3	32.5	31.0	12.7	M10	UC202-10	FC202	0.71	
UCFC203		17	100	78	55.1	10	12	5	7	20.5	62	28.3	32.5	31.0	12.7	M10	UC203	FC203	0.71
UCFC203-11	11/16	100	78	55.1	10	12	5	7	20.5	62	28.3	32.5	31.0	12.7	M10	UC203-11	FC203	0.70	
UCFC204		20	100	78	55.1	10	12	5	7	20.5	62	28.3	32.5	31.0	12.7	M10	UC204	FC204	0.69
UCFC204-12	3/4	100	78	55.1	10	12	5	7	20.5	62	28.3	32.5	31.0	12.7	M10	UC204-12	FC204	0.69	
UCFC205		25	115	90	63.6	10	12	6	7	21.0	70	29.8	34.0	34.1	14.3	M10	UC205	FC205	1.00
UCFC205-13	13/16	115	90	63.6	10	12	6	7	21.0	70	29.8	34.0	34.1	14.3	M10	UC205-13	FC205	1.04	
UCFC205-14	7/8	115	90	63.6	10	12	6	7	21.0	70	29.8	34.0	34.1	14.3	M10	UC205-14	FC205	1.03	
UCFC205-15	15/16	115	90	63.6	10	12	6	7	21.0	70	29.8	34.0	34.1	14.3	M10	UC205-15	FC205	1.01	
UCFC205-16	1	115	90	63.6	10	12	6	7	21.0	70	29.8	34.0	34.1	14.3	M10	UC205-16	FC205	1.00	

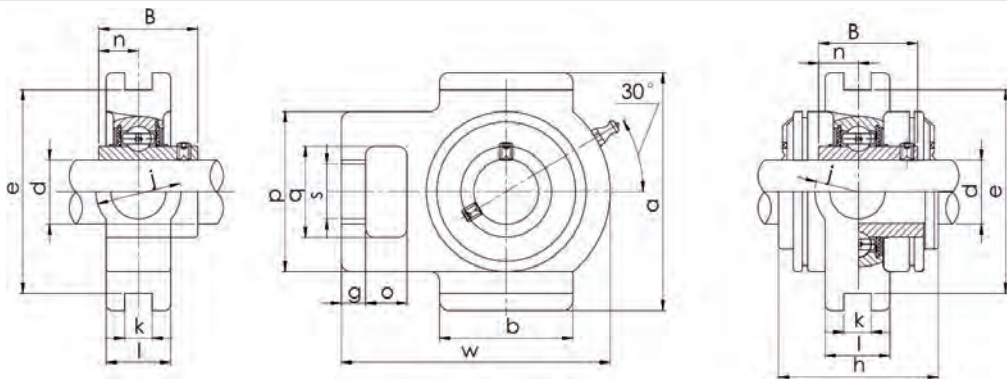
ISO	Dimensions (mm)															Bolt Size	Bearing No.	Housing No.	Weight (kg)
	d (in)	d	a	P	e	i	s	j	k	g	f	z	t	B	n				
UCFC206		30	125	100	70.7	10	12	8	8	23.0	80	32.2	36.5	38.1	15.9	M10	UC206	FC206	1.30
UCFC206-17	1-1/16		125	100	70.7	10	12	8	8	23.0	80	32.2	36.5	38.1	15.9	M10	UC206-17	FC206	1.31
UCFC206-18	1-1/8		125	100	70.7	10	12	8	8	23.0	80	32.2	36.5	38.1	15.9	M10	UC206-18	FC206	1.32
UCFC206-19	1-3/16		125	100	70.7	10	12	8	8	23.0	80	32.2	36.5	38.1	15.9	M10	UC206-19	FC206	1.30
UCFC206-20	1-1/4		125	100	70.7	10	12	8	8	23.0	80	32.2	36.5	38.1	15.9	M10	UC206-20	FC206	1.29
UCFC207		35	135	110	77.8	11	14	8	9	26.0	90	36.4	41.0	42.9	17.5	M12	UC207	FC207	1.81
UCFC207-20	1-1/4		135	110	77.8	11	14	8	9	26.0	90	36.4	41.0	42.9	17.5	M12	UC207-20	FC207	1.87
UCFC207-21	1-5/16		135	110	77.8	11	14	8	9	26.0	90	36.4	41.0	42.9	17.5	M12	UC207-21	FC207	1.84
UCFC207-22	1-3/8		135	110	77.8	11	14	8	9	26.0	90	36.4	41.0	42.9	17.5	M12	UC207-22	FC207	1.81
UCFC207-23	1-7/16		135	110	77.8	11	14	8	9	26.0	90	36.4	41.0	42.9	17.5	M12	UC207-23	FC207	1.78
UCFC208		40	145	120	84.8	11	14	10	9	26.0	100	41.2	45.5	49.2	19.0	M12	UC208	FC208	2.14
UCFC208-24	1-1/2		145	120	84.8	11	14	10	9	26.0	100	41.2	45.5	49.2	19.0	M12	UC208-24	FC208	2.18
UCFC208-25	1-9/16		145	120	84.8	11	14	10	9	26.0	100	41.2	45.5	49.2	19.0	M12	UC208-25	FC208	2.15
UCFC209		45	160	132	93.3	10	16	12	14	26.0	105	40.2	44.5	49.2	19.0	M14	UC209	FC209	2.68
UCFC209-26	1-5/8		160	132	93.3	10	16	12	14	26.0	105	40.2	44.5	49.2	19.0	M14	UC209-26	FC209	2.78
UCFC209-27	1-11/16		160	132	93.3	10	16	12	14	26.0	105	40.2	44.5	49.2	19.0	M14	UC209-27	FC209	2.74
UCFC209-28	1-3/4		160	132	93.3	10	16	12	14	26.0	105	40.2	44.5	49.2	19.0	M14	UC209-28	FC209	2.70
UCFC210		50	165	138	97.6	10	16	12	14	28.0	110	42.6	47.5	51.6	19.0	M14	UC210	FC210	2.90
UCFC210-29	1-13/16		165	138	97.6	10	16	12	14	28.0	110	42.6	47.5	51.6	19.0	M14	UC210-29	FC210	3.02
UCFC210-30	1-7/8		165	138	97.6	10	16	12	14	28.0	110	42.6	47.5	51.6	19.0	M14	UC210-30	FC210	2.97
UCFC210-31	1-15/16		165	138	97.6	10	16	12	14	28.0	110	42.6	47.5	51.6	19.0	M14	UC210-31	FC210	2.92
UCFC210-32	2		165	138	97.6	10	16	12	14	28.0	110	42.6	47.5	51.6	19.0	M14	UC210-32	FC210	2.88
UCFC211		55	185	150	106.1	13	19	12	15	31.0	125	46.4	51.0	55.6	22.2	M16	UC211	FC211	4.01
UCFC211-32	2		185	150	106.1	13	19	12	15	31.0	125	46.4	51.0	55.6	22.2	M16	UC211-32	FC211	4.16
UCFC211-33	2-1/16		185	150	106.1	13	19	12	15	31.0	125	46.4	51.0	55.6	22.2	M16	UC211-33	FC211	4.10
UCFC211-34	2-1/8		185	150	106.1	13	19	12	15	31.0	125	46.4	51.0	55.6	22.2	M16	UC211-34	FC211	4.05
UCFC211-35	2-3/16		185	150	106.1	13	19	12	15	31.0	125	46.4	51.0	55.6	22.2	M16	UC211-35	FC211	3.99
UCFC212		60	195	160	113.1	17	19	12	15	36.0	135	56.7	61.5	65.1	25.4	M16	UC212	FC212	4.94
UCFC212-36	2-1/4		195	160	113.1	17	19	12	15	36.0	135	56.7	61.5	65.1	25.4	M16	UC212-36	FC212	5.07
UCFC212-37	2-5/16		195	160	113.1	17	19	12	15	36.0	135	56.7	61.5	65.1	25.4	M16	UC212-37	FC212	4.99
UCFC212-38	2-3/8		195	160	113.1	17	19	12	15	36.0	135	56.7	61.5	65.1	25.4	M16	UC212-38	FC212	4.92
UCFC212-39	2-7/16		195	160	113.1	17	19	12	15	36.0	135	56.7	61.5	65.1	25.4	M16	UC212-39	FC212	4.85
UCFC213		65	205	170	120.2	16	19	14	15	36.0	145	55.7	60.5	65.1	25.4	M16	UC213	FC213	5.65
UCFC213-40	2-1/2		205	170	120.2	16	19	14	15	36.0	145	55.7	60.5	65.1	25.4	M16	UC213-40	FC213	5.74
UCFC213-41	2-9/16		205	170	120.2	16	19	14	15	36.0	145	55.7	60.5	65.1	25.4	M16	UC213-41	FC213	5.65
UCFC214		70	215	177	125.1	17	19	14	18	40.0	150	61.4	-	74.6	30.2	M16	UC214	FC214	6.95
UCFC214-42	2-5/8		215	177	125.1	17	19	14	18	40.0	150	61.4	-	74.6	30.2	M16	UC214-42	FC214	7.16
UCFC214-43	2-11/16		215	177	125.1	17	19	14	18	40.0	150	61.4	-	74.6	30.2	M16	UC214-43	FC214	7.06
UCFC214-44	2-3/4		215	177	125.1	17	19	14	18	40.0	150	61.4	-	74.6	30.2	M16	UC214-44	FC214	6.96
UCFC215		75	220	184	130.1	18	19	16	18	40.0	160	62.5	-	77.8	33.3	M16	UC215	FC215	7.56
UCFC215-45	2-13/16		220	184	130.1	18	19	16	18	40.0	160	62.5	-	77.8	33.3	M16	UC215-45	FC215	7.81
UCFC215-46	2-7/8		220	184	130.1	18	19	16	18	40.0	160	62.5	-	77.8	33.3	M16	UC215-46	FC215	7.70
UCFC215-47	2-15/16		220	184	130.1	18	19	16	18	40.0	160	62.5	-	77.8	33.3	M16	UC215-47	FC215	7.59
UCFC215-48	3		220	184	130.1	18	19	16	18	40.0	160	62.5	-	77.8	33.3	M16	UC215-48	FC215	7.47
UCFC216		80	240	200	141.4	18	23	16	18	42.0	170	67.3	-	82.6	33.3	M20	UC216	FC216	9.15
UCFC216-49	3-1/16		240	200	141.4	18	23	16	18	42.0	170	67.3	-	82.6	33.3	M20	UC216-49	FC216	9.33
UCFC216-50	3-1/8		240	200	141.4	18	23	16	18	42.0	170	67.3	-	82.6	33.3	M20	UC216-50	FC216	9.20
UCFC216-51	3-3/16		240	200	141.4	18	23	16	18	42.0	170	67.3	-	82.6	33.3	M20	UC216-51	FC216	9.15
UCFC217		85	250	208	147.1	18	23	18	20	45.0	180	69.6	-	85.7	34.1	M20	UC217	FC217	10.81
UCFC217-52	3-1/4		250	208	147.1	18	23	18	20	45.0	180	69.6	-	85.7	34.1	M20	UC217-52	FC217	11.03
UCFC217-53	3-5/16		250	208	147.1	18	23	18	20	45.0	180	69.6	-	85.7	34.1	M20	UC217-53	FC217	10.89
UCFC217-55	3-7/16		250	208	147.1	18	23	18	20	45.0	180	69.6	-	85.7	34.1	M20	UC217-55	FC217	10.60
UCFC218		90	265	220	155.5	22	23	18	20	50.0	190	78.3	-	96.0	39.7	M20	UC218	FC218	12.96
UCFC218-56	3-1/2		265	220	155.5	22	23	18	20	50.0	190	78.3	-	96.0	39.7	M20	UC218-56	FC218	13.07



ISO	Dimensions (mm)												Bolt Size	Bearing No.	Housing No.	Weight (kg)
	d (in)	d	a	e	i	g	l	s	b	z	B	n				
UCFL201		12	113	90	15	11	25.5	12	60	33.3	31	12.7	M10	UC201	FL201	0.45
UCFL201-8	3/4		113	90	15	11	25.5	12	60	33.3	31	12.7	M10	UC201-8	FL201	0.44
UCFL202		15	113	90	15	11	25.5	12	60	33.3	31	12.7	M10	UC202	FL202	0.44
UCFL202-9	9/16		113	90	15	11	25.5	12	60	33.3	31	12.7	M10	UC202-9	FL202	0.43
UCFL202-10	5/8		113	90	15	11	25.5	12	60	33.3	31	12.7	M10	UC202-10	FL202	0.43
UCFL203		17	113	90	15	11	25.5	12	60	33.3	31	12.7	M10	UC203	FL203	0.43
UCFL203-11	11/16		113	90	15	11	25.5	12	60	33.3	31	12.7	M10	UC203-11	FL203	0.42
UCFL204		20	113	90	15	11	25.5	12	60	33.3	31	12.7	M10	UC204	FL204	0.41
UCFL204-12	3/4		113	90	15	11	25.5	12	60	33.3	31	12.7	M10	UC204-12	FL204	0.41
UCFL205		25	130	99	16	13	27	16	68	35.8	34.1	14.3	M14	UC205	FL205	0.58
UCFL205-13	13/16		130	99	16	13	27	16	68	35.8	34.1	14.3	M14	UC205-13	FL205	0.62
UCFL205-14	7/8		130	99	16	13	27	16	68	35.8	34.1	14.3	M14	UC205-14	FL205	0.61
UCFL205-15	15/16		130	99	16	13	27	16	68	35.8	34.1	14.3	M14	UC205-15	FL205	0.59
UCFL205-16	1		130	99	16	13	27	16	68	35.8	34.1	14.3	M14	UC205-16	FL205	0.58
UCFL206		30	148	117	18	13	31	16	80	40.2	38.1	15.9	M14	UC206	FL206	0.86
UCFL206-17	1-1/16		148	117	18	13	31	16	80	40.2	38.1	15.9	M14	UC206-17	FL206	0.87
UCFL206-18	1-1/8		148	117	18	13	31	16	80	40.2	38.1	15.9	M14	UC206-18	FL206	0.88
UCFL206-19	1-3/16		148	117	18	13	31	16	80	40.2	38.1	15.9	M14	UC206-19	FL206	0.86
UCFL206-20	1-1/4		148	117	18	13	31	16	80	40.2	38.1	15.9	M14	UC206-20	FL206	0.85
UCFL207		35	161	130	19	14	34	16	90	44.4	42.9	17.5	M14	UC207	FL207	1.08
UCFL207-20	1-1/4		161	130	19	14	34	16	90	44.4	42.9	17.5	M14	UC207-20	FL207	1.14
UCFL207-21	1-5/16		161	130	19	14	34	16	90	44.4	42.9	17.5	M14	UC207-21	FL207	1.11
UCFL207-22	1-3/8		161	130	19	14	34	16	90	44.4	42.9	17.5	M14	UC207-22	FL207	1.08
UCFL207-23	1-7/16		161	130	19	14	34	16	90	44.4	42.9	17.5	M14	UC207-23	FL207	1.05
UCFL208		40	175	144	21	14	36	16	100	51.2	49.2	19	M14	UC208	FL208	1.44
UCFL208-24	1-1/2		175	144	21	14	36	16	100	51.2	49.2	19	M14	UC208-24	FL208	1.48
UCFL208-25	1-9/16		175	144	21	14	36	16	100	51.2	49.2	19	M14	UC208-25	FL208	1.45
UCFL209		45	188	148	22	15	38	19	108	52.2	49.2	19	M16	UC209	FL209	1.74
UCFL209-26	1-5/8		188	148	22	15	38	19	108	52.2	49.2	19	M16	UC209-26	FL209	1.84
UCFL209-27	1-11/16		188	148	22	15	38	19	108	52.2	49.2	19	M16	UC209-27	FL209	1.80
UCFL209-28	1-3/4		188	148	22	15	38	19	108	52.2	49.2	19	M16	UC209-28	FL209	1.76
UCFL210		50	197	157	22	15	40	19	115	54.6	51.6	19	M16	UC210	FL210	2.10
UCFL210-29	1-13/16		197	157	22	15	40	19	115	54.6	51.6	19	M16	UC210-29	FL210	2.22
UCFL210-30	1-7/8		197	157	22	15	40	19	115	54.6	51.6	19	M16	UC210-30	FL210	2.17
UCFL210-31	1-15/16		197	157	22	15	40	19	115	54.6	51.6	19	M16	UC210-31	FL210	2.12
UCFL210-32	2		197	157	22	15	40	19	115	54.6	51.6	19	M16	UC210-32	FL210	2.08
UCFL211		55	224	184	25	18	43	19	130	58.4	55.6	22.2	M16	UC211	FL211	2.91
UCFL211-32	2		224	184	25	18	43	19	130	58.4	55.6	22.2	M16	UC211-32	FL211	3.06
UCFL211-33	2-1/16		224	184	25	18	43	19	130	58.4	55.6	22.2	M16	UC211-33	FL211	3.00
UCFL211-34	2-1/8		224	184	25	18	43	19	130	58.4	55.6	22.2	M16	UC211-34	FL211	2.95
UCFL211-35	2-3/16		224	184	25	18	43	19	130	58.4	55.6	22.2	M16	UC211-35	FL211	2.89
UCFL212		60	250	202	29	18	48	23	140	68.7	65.1	25.4	M20	UC212	FL212	3.74
UCFL212-36	2-1/4		250	202	29	18	48	23	140	68.7	65.1	25.4	M20	UC212-36	FL212	3.87

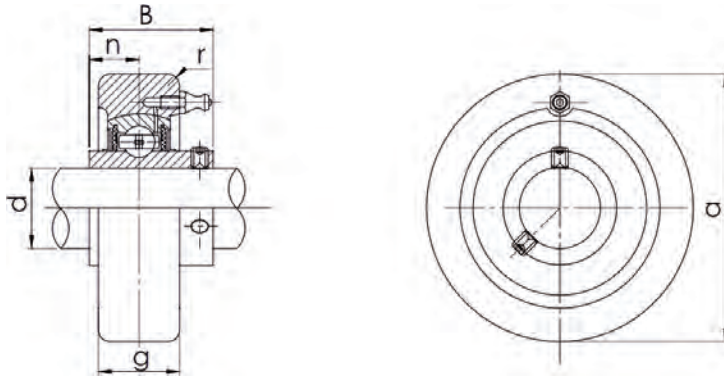
ISO	Dimensions (mm)												Bolt Size	Bearing No.	Housing No.	Weight (kg)
	d (in)	d	a	e	i	g	l	s	b	z	B	n				
UCFL212-37	2-5/16		250	202	29	18	48	23	140	68.7	65.1	25.4	M20	UC212-37	FL212	3.79
UCFL212-38	2-3/8		250	202	29	18	48	23	140	68.7	65.1	25.4	M20	UC212-38	FL212	3.72
UCFL212-39	2-7/16		250	202	29	18	48	23	140	68.7	65.1	25.4	M20	UC212-39	FL212	3.65
UCFL213		65	258	210	30	22	50	23	155	69.7	65.1	25.4	M20	UC213	FL213	4.57
UCFL213-40	2-1/2		258	210	30	22	50	23	155	69.7	65.1	25.4	M20	UC213-40	FL213	4.66
UCFL213-41	2-9/16		258	210	30	22	50	23	155	69.7	65.1	25.4	M20	UC213-41	FL213	4.57
UCFL214		70	265	216	31	22	54	23	160	75.4	74.6	30.2	M20	UC214	FL214	5.11
UCFL214-42	2-5/8		265	216	31	22	54	23	160	75.4	74.6	30.2	M20	UC214-42	FL214	5.32
UCFL214-43	2-11/16		265	216	31	22	54	23	160	75.4	74.6	30.2	M20	UC214-43	FL214	5.22
UCFL214-44	2-3/4		265	216	31	22	54	23	160	75.4	74.6	30.2	M20	UC214-44	FL214	5.12
UCFL215		75	275	225	34	22	56	23	165	78.5	77.8	33.3	M20	UC215	FL215	5.37
UCFL215-45	2-13/16		275	225	34	22	56	23	165	78.5	77.8	33.3	M20	UC215-45	FL215	5.62
UCFL215-46	2-7/8		275	225	34	22	56	23	165	78.5	77.8	33.3	M20	UC215-46	FL215	5.51
UCFL215-47	2-15/16		275	225	34	22	56	23	165	78.5	77.8	33.3	M20	UC215-47	FL215	5.40
UCFL215-48	3		275	225	34	22	56	23	165	78.5	77.8	33.3	M20	UC215-48	FL215	5.28
UCFL216		80	290	233	34	22	58	25	180	83.3	82.6	33.3	M22	UC216	FL216	7.20
UCFL216-49	3-1/16		290	233	34	22	58	25	180	83.3	82.6	33.3	M22	UC216-49	FL216	7.38
UCFL216-50	3-1/8		290	233	34	22	58	25	180	83.3	82.6	33.3	M22	UC216-50	FL216	7.25
UCFL216-51	3-3/16		290	233	34	22	58	25	180	83.3	82.6	33.3	M22	UC216-51	FL216	7.20
UCFL217		85	305	248	36	24	63	25	190	87.6	85.7	34.1	M22	UC217	FL217	8.61
UCFL217-52	3-1/4		305	248	36	24	63	25	190	87.6	85.7	34.1	M22	UC217-52	FL217	8.83
UCFL217-53	3-5/16		305	248	36	24	63	25	190	87.6	85.7	34.1	M22	UC217-53	FL217	8.69
UCFL217-55	3-7/16		305	248	36	24	63	25	190	87.6	85.7	34.1	M22	UC217-55	FL217	8.40
UCFL218		90	320	265	40	24	68	25	205	96.3	96	39.7	M22	UC218	FL218	10.51
UCFL218-56	3-1/2		320	265	40	24	68	25	205	96.3	96	39.7	M22	UC218-56	FL218	10.62
UCFL305		25	150	113	16	13	29	19	80	39	38	15	M16	UC305	FL305	1.10
UCFL305-14	7/8		150	113	16	13	29	19	80	39	38	15	M16	UC305-14	FL305	1.10
UCFL305-15	15/16		150	113	16	13	29	19	80	39	38	15	M16	UC305-15	FL305	1.10
UCFL305-16	1		150	113	16	13	29	19	80	39	38	15	M16	UC305-16	FL305	1.10
UCFL306		30	180	134	18	15	32	23	90	44	43	17	M20	UC306	FL306	1.50
UCFL306-18	1-1/8		180	134	18	15	32	23	90	44	43	17	M20	UC306-18	FL306	1.50
UCFL306-19	1-3/16		180	134	18	15	32	23	90	44	43	17	M20	UC306-19	FL306	1.50
UCFL307		35	185	141	20	16	36	23	100	49	48	19	M20	UC307	FL307	1.90
UCFL307-20	1-1/4		185	141	20	16	36	23	100	49	48	19	M20	UC307-20	FL307	1.90
UCFL307-21	1-5/16		185	141	20	16	36	23	100	49	48	19	M20	UC307-21	FL307	1.90
UCFL307-22	1-3/8		185	141	20	16	36	23	100	49	48	19	M20	UC307-22	FL307	1.90
UCFL308		40	200	158	23	17	40	23	112	56	52	19	M20	UC308	FL308	2.50
UCFL308-24	1-1/2		200	158	23	17	40	23	112	56	52	19	M20	UC308-24	FL308	2.50
UCFL308-25	1-9/16		200	158	23	17	40	23	112	56	52	19	M20	UC308-25	FL308	2.50
UCFL309		45	230	177	25	18	44	25	125	60	57	22	M22	UC309	FL309	3.40
UCFL309-26	1-5/8		230	177	25	18	44	25	125	60	57	22	M22	UC309-26	FL309	3.40
UCFL309-27	1-11/16		230	177	25	18	44	25	125	60	57	22	M22	UC309-27	FL309	3.40
UCFL309-28	1-3/4		230	177	25	18	44	25	125	60	57	22	M22	UC309-28	FL309	3.40
UCFL310		50	240	187	28	19	48	25	140	67	61	22	M22	UC310	FL310	4.40
UCFL310-30	1-7/8		240	187	28	19	48	25	140	67	61	22	M22	UC310-30	FL310	4.40
UCFL310-31	1-15/16		240	187	28	19	48	25	140	67	61	22	M22	UC310-31	FL310	4.40
UCFL311		55	250	198	30	20	52	25	150	70	66	25	M22	UC311	FL311	5.10
UCFL311-32	2		250	198	30	20	52	25	150	70	66	25	M22	UC311-32	FL311	5.10
UCFL311-34	2-1/8		250	198	30	20	52	25	150	70	66	25	M22	UC311-34	FL311	5.10
UCFL311-35	2-3/16		250	198	30	20	52	25	150	70	66	25	M22	UC311-35	FL311	5.10
UCFL312		60	270	212	33	22	56	31	160	78	71	26	M27	UC312	FL312	6.10
UCFL312-36	2-1/4		270	212	33	22	56	31	160	78	71	26	M27	UC312-36	FL312	6.10
UCFL312-38	2-3/8		270	212	33	22	56	31	160	78	71	26	M27	UC312-38	FL312	6.10
UCFL312-39	2-7/16		270	212	33	22	56	31	160	78	71	26	M27	UC312-39	FL312	6.10
UCFL313		65	295	240	33	25	58	31	175	78	75	30	M27	UC313	FL313	7.80
UCFL313-40	2-1/2		295	240	33	25	58	31	175	78	75	30	M27	UC313-40	FL313	7.80
UCFL314		70	315	250	36	28	61	35	185	80	78	33	M30	UC314	FL314	9.00
UCFL314-44	2-3/4		315	250	36	28	61	35	185	80	78	33	M30	UC314-44	FL314	9.00
UCFL315		75	320	260	39	30	66	35	195	89	82	32	M30	UC315	FL315	10.00

ISO	Dimensions (mm)												Bolt Size	Bearing No.	Housing No.	Weight (kg)
	d (in)	d	a	e	i	g	l	s	b	z	B	n				
UCFL315-48	3	320	260	39	30	66	35	195	89	82	32	M30	UC315-48	FL315	10.00	
UCFL316	80	355	285	38	32	68	38	210	90	86	34	M33	UC316	FL316	13.00	
UCFL317	85	370	300	44	32	74	38	220	100	96	40	M33	UC317	FL317	15.00	
UCFL317-48	3-1/4	370	300	44	32	74	38	220	100	96	40	M33	UC317-48	FL317	18.00	
UCFL318	90	385	315	44	36	76	38	235	100	96	40	M33	UC318	FL318	18.00	
UCFL318-56	3-1/2	385	315	44	36	76	38	235	100	96	40	M33	UC318-56	FL318	18.00	
UCFL319	95	405	330	59	40	94	41	250	121	103	41	M36	UC319	FL319	22.00	
UCFL319-60	3-3/4	405	330	59	40	94	41	250	121	103	41	M36	UC319-60	FL319	22.00	



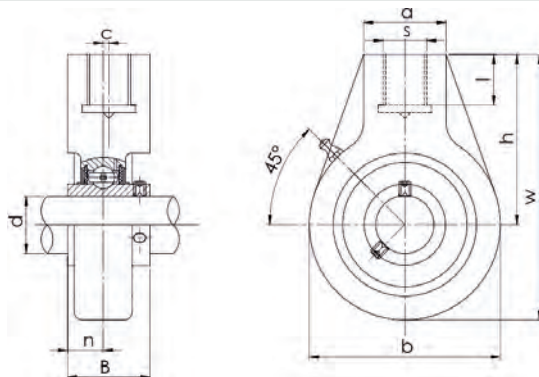
ISO	Dimensions (mm)																Bearing No.	Housing No.	Weight (kg)
	d (in)	d	o	g	p	q	s	b	k	e	a	w	j	l	h	B			
UCT201	12	16	10	51	32	19	51	12	76	89	94	32	21	61	31	12.7	UC201	T201	0.80
UCT201-8	3/4	16	10	51	32	19	51	12	76	89	94	32	21	61	31	12.7	UC201-8	T201	0.79
UCT202	15	16	10	51	32	19	51	12	76	89	94	32	21	61	31	12.7	UC202	T202	0.79
UCT202-9	9/16	16	10	51	32	19	51	12	76	89	94	32	21	61	31	12.7	UC202-9	T202	0.78
UCT202-10	5/8	16	10	51	32	19	51	12	76	89	94	32	21	61	31	12.7	UC202-10	T202	0.78
UCT203	17	16	10	51	32	19	51	12	76	89	94	32	21	61	31	12.7	UC203	T203	0.78
UCT203-11	11/16	16	10	51	32	19	51	12	76	89	94	32	21	61	31	12.7	UC203-11	T203	0.77
UCT204	20	16	10	51	32	19	51	12	76	89	94	32	21	61	31	12.7	UC204	T204	0.76
UCT204-12	3/4	16	10	51	32	19	51	12	76	89	94	32	21	61	31	12.7	UC204-12	T204	0.76
UCT205	25	16	10	51	32	19	51	12	76	89	97	32	24	62	34.1	14.3	UC205	T205	0.81
UCT205-13	13/16	16	10	51	32	19	51	12	76	89	97	32	24	62	34.1	14.3	UC205-13	T205	0.85
UCT205-14	7/8	16	10	51	32	19	51	12	76	89	97	32	24	62	34.1	14.3	UC205-14	T205	0.84
UCT205-15	15/16	16	10	51	32	19	51	12	76	89	97	32	24	62	34.1	14.3	UC205-15	T205	0.82
UCT205-16	1	16	10	51	32	19	51	12	76	89	97	32	24	62	34.1	14.3	UC205-16	T205	0.81
UCT206	30	16	10	56	37	22	57	12	89	102	113	37	28	70	38.1	15.9	UC206	T206	1.22
UCT206-17	1-1/16	16	10	56	37	22	57	12	89	102	113	37	28	70	38.1	15.9	UC206-17	T206	1.23
UCT206-18	1-1/8	16	10	56	37	22	57	12	89	102	113	37	28	70	38.1	15.9	UC206-18	T206	1.24
UCT206-19	1-3/16	16	10	56	37	22	57	12	89	102	113	37	28	70	38.1	15.9	UC206-19	T206	1.22
UCT206-20	1-1/4	16	10	56	37	22	57	12	89	102	113	37	28	70	38.1	15.9	UC206-20	T206	1.21
UCT207	35	16	13	64	37	22	64	12	89	102	129	37	30	78	42.9	17.5	UC207	T207	1.44
UCT207-20	1-1/4	16	13	64	37	22	64	12	89	102	129	37	30	78	42.9	17.5	UC207-20	T207	1.5
UCT207-21	1-5/16	16	13	64	37	22	64	12	89	102	129	37	30	78	42.9	17.5	UC207-21	T207	1.47
UCT207-22	1-3/8	16	13	64	37	22	64	12	89	102	129	37	30	78	42.9	17.5	UC207-22	T207	1.44
UCT207-23	1-7/16	16	13	64	37	22	64	12	89	102	129	37	30	78	42.9	17.5	UC207-23	T207	1.41
UCT208	40	19	16	83	49	29	83	16	102	114	144	49	33	89	49.2	19	UC208	T208	2.40
UCT208-24	1-1/2	19	16	83	49	29	83	16	102	114	144	49	33	89	49.2	19	UC208-24	T208	2.44
UCT208-25	1-9/16	19	16	83	49	29	83	16	102	114	144	49	33	89	49.2	19	UC208-25	T208	2.41
UCT209	45	19	16	83	49	29	83	16	102	117	144	49	35	87	49.2	19	UC209	T209	2.36
UCT209-26	1-5/8	19	16	83	49	29	83	16	102	117	144	49	35	87	49.2	19	UC209-26	T209	2.36

ISO	Dimensions (mm)																	Bearing No.	Housing No.	Weight (kg)
	d (in)	d	o	g	p	q	s	b	k	e	a	w	j	l	h	B	n			
UCT209-27	1-11/16		19	16	83	49	29	83	16	102	117	144	49	35	87	49.2	19	UC209-27	T209	2.32
UCT209-28	1-3/4		19	16	83	49	29	83	16	102	117	144	49	35	87	49.2	19	UC209-28	T209	2.28
UCT210		50	19	16	83	49	29	86	16	102	117	149	49	37	90	51.6	19	UC210	T210	2.43
UCT210-29	1-13/16		19	16	83	49	29	86	16	102	117	149	49	37	90	51.6	19	UC210-29	T210	2.55
UCT210-30	1-7/8		19	16	83	49	29	86	16	102	117	149	49	37	90	51.6	19	UC210-30	T210	2.50
UCT210-31	1-15/16		19	16	83	49	29	86	16	102	117	149	49	37	90	51.6	19	UC210-31	T210	2.45
UCT210-32	2		19	16	83	49	29	86	16	102	117	149	49	37	90	51.6	19	UC210-32	T210	2.41
UCT211		55	25	19	102	64	35	95	22	130	146	171	64	38	106	55.6	22.2	UC211	T211	4.11
UCT211-32	2		25	19	102	64	35	95	22	130	146	171	64	38	106	55.6	22.2	UC211-32	T211	4.26
UCT211-33	2-1/16		25	19	102	64	35	95	22	130	146	171	64	38	106	55.6	22.2	UC211-33	T211	4.20
UCT211-34	2-1/8		25	19	102	64	35	95	22	130	146	171	64	38	106	55.6	22.2	UC211-34	T211	4.15
UCT211-35	2-3/16		25	19	102	64	35	95	22	130	146	171	64	38	106	55.6	22.2	UC211-35	T211	4.09
UCT212		60	32	19	102	64	35	102	22	130	146	194	64	42	119	65.1	25.4	UC212	T212	4.97
UCT212-36	2-1/4		32	19	102	64	35	102	22	130	146	194	64	42	119	65.1	25.4	UC212-36	T212	5.1
UCT212-37	2-5/16		32	19	102	64	35	102	22	130	146	194	64	42	119	65.1	25.4	UC212-37	T212	5.02
UCT212-38	2-3/8		32	19	102	64	35	102	22	130	146	194	64	42	119	65.1	25.4	UC212-38	T212	4.95
UCT212-39	2-7/16		32	19	102	64	35	102	22	130	146	194	64	42	119	65.1	25.4	UC212-39	T212	4.88
UCT213		65	32	21	111	70	41	121	26	151	167	224	70	44	137	65.1	25.4	UC213	T213	6.65
UCT213-40	2-1/2		32	21	111	70	41	121	26	151	167	224	70	44	137	65.1	25.4	UC213-40	T213	6.74
UCT213-41	2-9/16		32	21	111	70	41	121	26	151	167	224	70	44	137	65.1	25.4	UC213-41	T213	6.65
UCT214		70	32	21	111	70	41	121	26	151	167	224	70	46	137	74.6	30.2	UC214	T214	7.05
UCT214-42	2-5/8		32	21	111	70	41	121	26	151	167	224	70	46	137	74.6	30.2	UC214-42	T214	7.26
UCT214-43	2-11/16		32	21	111	70	41	121	26	151	167	224	70	46	137	74.6	30.2	UC214-43	T214	7.16
UCT214-44	2-3/4		32	21	111	70	41	121	26	151	167	224	70	46	137	74.6	30.2	UC214-44	T214	7.06
UCT215		75	32	21	111	70	41	121	26	151	167	232	70	48	140	77.8	33.3	UC215	T215	7.41
UCT215-45	2-13/16		32	21	111	70	41	121	26	151	167	232	70	48	140	77.8	33.3	UC215-45	T215	7.66
UCT215-46	2-7/8		32	21	111	70	41	121	26	151	167	232	70	48	140	77.8	33.3	UC215-46	T215	7.55
UCT215-47	2-15/16		32	21	111	70	41	121	26	151	167	232	70	48	140	77.8	33.3	UC215-47	T215	7.44
UCT215-48	3		32	21	111	70	41	121	26	151	167	232	70	48	140	77.8	33.3	UC215-48	T215	7.32
UCT216		80	32	21	111	70	41	121	26	165	184	235	70	51	140	82.6	33.3	UC216	T216	8.30
UCT216-49	3-1/16		32	21	111	70	41	121	26	165	184	235	70	51	140	82.6	33.3	UC216-49	T216	8.48
UCT216-50	3-1/8		32	21	111	70	41	121	26	165	184	235	70	51	140	82.6	33.3	UC216-50	T216	8.35
UCT216-51	3-3/16		32	21	111	70	41	121	26	165	184	235	70	51	140	82.6	33.3	UC216-51	T216	8.30
UCT217		85	38	29	124	73	48	157	30	173	184	260	73	54	162	85.7	34.1	UC217	T217	11.00
UCT217-52	3-1/4		38	29	124	73	48	157	30	173	184	260	73	54	162	85.7	34.1	UC217-52	T217	11.22
UCT217-53	3-5/16		38	29	124	73	48	157	30	173	184	260	73	54	162	85.7	34.1	UC217-53	T217	11.08
UCT217-55	3-7/16		38	29	124	73	48	157	30	173	184	260	73	54	162	85.7	34.1	UC217-55	T217	10.79
UCT218		90	40	30	130	80	48	140	30	190	215	275	80	55	170	96	39.7	UC218	T218	12.20
UCT218-56	3-1/2		40	30	130	80	48	140	30	190	215	275	80	55	170	96	39.7	UC218-56	T218	12.31



ISO	Dimensions (mm)							Bearing No.	Housing No.	Weight (kg)
	d (in)	d	a	g	r	B	n			
UCC201		12	72	20	2	31	12.7	UC201	C201	0.52
UCC201-8	3/4		72	20	2	31	12.7	UC201-8	C201	0.51
UCC202		15	72	20	2	31	12.7	UC202	C202	0.51
UCC202-9	9/16		72	20	2	31	12.7	UC202-9	C202	0.50
UCC202-10	5/8		72	20	2	31	12.7	UC202-10	C202	0.50
UCC203		17	72	20	2	31	12.7	UC203	C203	0.50
UCC203-11	11/16		72	20	2	31	12.7	UC203-11	C203	0.49
UCC204		20	72	20	2	31	12.7	UC204	C204	0.48
UCC204-12	3/4		72	20	2	31	12.7	UC204-12	C204	0.48
UCC205		25	80	22	2	34.1	14.6	UC205	C205	0.63
UCC205-13	13/16		80	22	2	34.1	14.6	UC205-13	C205	0.67
UCC205-14	7/8		80	22	2	34.1	14.6	UC205-14	C205	0.66
UCC205-15	15/16		80	22	2	34.1	14.6	UC205-15	C205	0.64
UCC205-16	1		80	22	2	34.1	14.6	UC205-16	C205	0.63
UCC206		30	85	27	2	38.1	15.9	UC206	C206	0.80
UCC206-17	1-1/16		85	27	2	38.1	15.9	UC206-17	C206	0.81
UCC206-18	1-1/8		85	27	2	38.1	15.9	UC206-18	C206	0.82
UCC206-19	1-3/16		85	27	2	38.1	15.9	UC206-19	C206	0.80
UCC206-20	1-1/4		85	27	2	38.1	15.9	UC206-20	C206	0.79
UCC207		35	90	28	2	42.9	17.5	UC207	C207	0.93
UCC207-20	1-1/4		90	28	2	42.9	17.5	UC207-20	C207	0.99
UCC207-21	1-5/16		90	28	2	42.9	17.5	UC207-21	C207	0.96
UCC207-22	1-3/8		90	28	2	42.9	17.5	UC207-22	C207	0.93
UCC207-23	1-7/16		90	28	2	42.9	17.5	UC207-23	C207	0.90
UCC208		40	100	30	2.5	49.2	19	UC208	C208	1.22
UCC208-24	1-1/2		100	30	2.5	49.2	19	UC208-24	C208	1.26
UCC208-25	1-9/16		100	30	2.5	49.2	19	UC208-25	C208	1.23
UCC209		45	110	31	2.5	49.2	19	UC209	C209	1.49
UCC209-26	1-5/8		110	31	2.5	49.2	19	UC209-26	C209	1.59
UCC209-27	1-11/16		110	31	2.5	49.2	19	UC209-27	C209	1.55
UCC209-28	1-3/4		110	31	2.5	49.2	19	UC209-28	C209	1.51
UCC210		50	120	33	2.5	51.6	19	UC210	C210	1.90
UCC210-29	1-13/16		120	33	2.5	51.6	19	UC210-29	C210	2.02
UCC210-30	1-7/8		120	33	2.5	51.6	19	UC210-30	C210	1.97
UCC210-31	1-15/16		120	33	2.5	51.6	19	UC210-31	C210	1.92
UCC210-32	2		120	33	2.5	51.6	19	UC210-32	C210	1.88
UCC211		55	125	35	2.5	55.6	22.2	UC211	C211	2.18
UCC211-32	2		125	35	2.5	55.6	22.2	UC211-32	C211	2.33
UCC211-33	2-1/16		125	35	2.5	55.6	22.2	UC211-33	C211	2.27
UCC211-34	2-1/8		125	35	2.5	55.6	22.2	UC211-34	C211	2.22
UCC211-35	2-3/16		125	35	2.5	55.6	22.2	UC211-35	C211	2.16
UCC212		60	130	38	2.5	65.1	25.4	UC212	C212	2.52
UCC212-36	2-1/4		130	38	2.5	65.1	25.4	UC212-36	C212	2.65

ISO	Dimensions (mm)							Bearing No.	Housing No.	Weight (kg)
	d (in)	d	a	g	r	B	n			
UCC212-37	2-5/16		130	38	2.5	65.1	25.4	UC212-37	C212	2.57
UCC212-38	2-3/8		130	38	2.5	65.1	25.4	UC212-38	C212	2.50
UCC212-39	2-7/16		130	38	2.5	65.1	25.4	UC212-39	C212	2.43
UCC213		65	140	40	3	65.1	25.4	UC213	C213	2.98
UCC213-40	2-1/2		140	40	3	65.1	25.4	UC213-40	C213	3.07
UCC213-41	2-9/16		140	40	3	65.1	25.4	UC213-41	C213	2.98



ISO	Dimensions (mm)											Bearing No.	Housing No.	Weight (kg)
	d (in)	d	h	w	b	c	a	s	l	B	n			
UCHA201		12	64	96	64	0	40	G3/4	19	31	12.7	UC201	HA201	0.73
UCHA201-8	3/4		64	96	64	0	40	G3/4	19	31	12.7	UC201-8	HA201	0.72
UCHA202		15	64	96	64	0	40	G3/4	19	31	12.7	UC202	HA202	0.72
UCHA202-9	9/16		64	96	64	0	40	G3/4	19	31	12.7	UC202-9	HA202	0.71
UCHA202-10	5/8		64	96	64	0	40	G3/4	19	31	12.7	UC202-10	HA202	0.71
UCHA203		17	64	96	64	0	40	G3/4	19	31	12.7	UC203	HA203	0.71
UCHA203-11	11/16		64	96	64	0	40	G3/4	19	31	12.7	UC203-11	HA203	0.70
UCHA204		20	64	96	64	0	40	G3/4	19	31	12.7	UC204	HA204	0.69
UCHA204-12	3/4		64	96	64	0	40	G3/4	19	31	12.7	UC204-12	HA204	0.69
UCHA205		25	64	103	78	0	40	G3/4	19	34.1	14.3	UC205	HA205	0.83
UCHA205-13	13/16		64	103	78	0	40	G3/4	19	34.1	14.3	UC205-13	HA205	0.87
UCHA205-14	7/8		64	103	78	0	40	G3/4	19	34.1	14.3	UC205-14	HA205	0.86
UCHA205-15	15/16		64	103	78	0	40	G3/4	19	34.1	14.3	UC205-15	HA205	0.84
UCHA205-16	1		64	103	78	0	40	G3/4	19	34.1	14.3	UC205-16	HA205	0.83
UCHA206		30	64	103	78	0	40	G3/4	19	38.1	15.9	UC206	HA206	0.90
UCHA206-17	1-1/16		64	103	78	0	40	G3/4	19	38.1	15.9	UC206-17	HA206	0.91
UCHA206-18	1-1/8		64	103	78	0	40	G3/4	19	38.1	15.9	UC206-18	HA206	0.92
UCHA206-19	1-3/16		64	103	78	0	40	G3/4	19	38.1	15.9	UC206-19	HA206	0.90
UCHA206-20	1-1/4		64	103	78	0	40	G3/4	19	38.1	15.9	UC206-20	HA206	0.89
UCHA207		35	70	116	92	0	40	G3/4	19	42.9	17.5	UC207	HA207	1.16
UCHA207-20	1-1/4		70	116	92	0	40	G3/4	19	42.9	17.5	UC207-20	HA207	1.22
UCHA207-21	1-5/16		70	116	92	0	40	G3/4	19	42.9	17.5	UC207-21	HA207	1.19
UCHA207-22	1-3/8		70	116	92	0	40	G3/4	19	42.9	17.5	UC207-22	HA207	1.16
UCHA207-23	1-7/16		70	116	92	0	40	G3/4	19	42.9	17.5	UC207-23	HA207	1.13
UCHA208		40	73	121	96	2	40	G3/4	19	49.2	19	UC208	HA208	1.32
UCHA208-24	1-1/2		73	121	96	2	40	G3/4	19	49.2	19	UC208-24	HA208	1.36
UCHA208-25	1-9/16		73	121	96	2	40	G3/4	19	49.2	19	UC208-25	HA208	1.33
UCHA209		45	82	136	108	5	48	G1	21	49.2	19	UC209	HA209	1.92
UCHA209-26	1-5/8		82	136	108	5	48	G1	21	49.2	19	UC209-26	HA209	2.02
UCHA209-27	1-11/16		82	136	108	5	48	G1	21	49.2	19	UC209-27	HA209	1.98
UCHA209-28	1-3/4		82	136	108	5	48	G1	21	49.2	19	UC209-28	HA209	1.94

ISO	Dimensions (mm)											Bearing No.	Housing No.	Weight (kg)
	d (in)	d	h	w	b	c	a	s	l	B	n			
UCHA210		50	83	142	118	5	48	G1	21	51.6	19	UC210	HA210	1.90
UCHA210-29	1-13/16		83	142	118	5	48	G1	21	51.6	19	UC210-29	HA210	2.02
UCHA210-30	1-7/8		83	142	118	5	48	G1	21	51.6	19	UC210-30	HA210	1.97
UCHA210-31	1-15/16		83	142	118	5	48	G1	21	51.6	19	UC210-31	HA210	1.92
UCHA210-32	2		83	142	118	5	48	G1	21	51.6	19	UC210-32	HA210	1.88
UCHA211		55	87	150	126	7	60	G1-1/4	25	55.6	22.2	UC211	HA211	2.61
UCHA211-32	2		87	150	126	7	60	G1-1/4	25	55.6	22.2	UC211-32	HA211	2.76
UCHA211-33	2-1/16		87	150	126	7	60	G1-1/4	25	55.6	22.2	UC211-33	HA211	2.70
UCHA211-34	2-1/8		87	150	126	7	60	G1-1/4	25	55.6	22.2	UC211-34	HA211	2.65
UCHA211-35	2-3/16		87	150	126	7	60	G1-1/4	25	55.6	22.2	UC211-35	HA211	2.59
UCHA212		60	102	173	142	9	60	G1-1/4	28	65.1	25.4	UC212	HA212	3.54
UCHA212-36	2-1/4		102	173	142	9	60	G1-1/4	28	65.1	25.4	UC212-36	HA212	3.67
UCHA212-37	2-5/16		102	173	142	9	60	G1-1/4	28	65.1	25.4	UC212-37	HA212	3.59
UCHA212-38	2-3/8		102	173	142	9	60	G1-1/4	28	65.1	25.4	UC212-38	HA212	3.52
UCHA212-39	2-7/16		102	173	142	9	60	G1-1/4	28	65.1	25.4	UC212-39	HA212	3.45
UCHA213		65	117	200	166	9.5	70	G1-1/4	32	65.1	25.4	UC213	HA213	5.80
UCHA213-40	2-1/2		117	200	166	9.5	70	G1-1/4	32	65.1	25.4	UC213-40	HA213	5.89
UCHA213-41	2-9/16		117	200	166	9.5	70	G1-1/4	32	65.1	25.4	UC213-41	HA213	5.8



Subject	Symbol	Description
Series	SUCPPL	<ul style="list-style-type: none"> • Thermoplastic pillow block housing bolt 2 holes • Solid base housing • Stainless steel inserts • Food grade grease and silicon rubber seal • Setscrew locking
	SUCFLPL	<ul style="list-style-type: none"> • Thermoplastic 2 Bolt flange housing • Solid base housing • Stainless steel inserts • Food grade grease and silicon rubber seal • Setscrew locking
	SUCFPL	<ul style="list-style-type: none"> • Thermoplastic 4 Bolt flange housing • Solid base housing • Stainless steel inserts • Food grade grease and silicon rubber seal • Setscrew locking
	SUCFCPL	<ul style="list-style-type: none"> • Thermoplastic 4 Bolt flange housing • Solid base housing • Stainless steel inserts • Food grade grease and silicon rubber seal • Setscrew locking
	SUCPAPL	<ul style="list-style-type: none"> • Thermoplastic short base pillow block housing with 2 threaded bolt holes in the base for fixing • Tapped base • Stainless steel inserts • Food grade grease and silicon rubber seal • Setscrew locking
	SUCFBPL	<ul style="list-style-type: none"> • Thermoplastic 3 Bolt flange bracket housing • Solid base housing • Stainless steel inserts • Food grade grease and silicon rubber seal • Setscrew locking

THERMOPLASTIC HOUSING UNITS

Series: OC CC.. BS.. SUCPPL.. SUCFPL.. SUCFLPL.. SUCFCPL.. SUCPAPL..
SUCFBPL.. SUC.. SSB..

Subject	Symbol	Description
Accessories	OC/CC	Plastic covers open/close type
	BS	Back seals
	SUC, SSB	Stainless steel insert bearing

Features

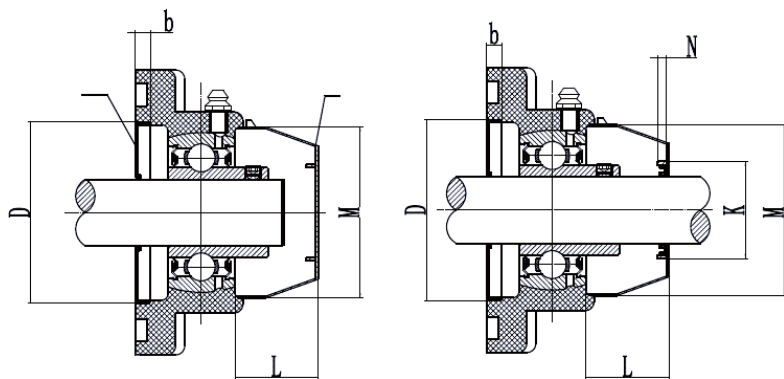
CRAFT bearings thermoplastic housing units are specially designed to meet particular engineering demand for food, beverage, photo and chemical industries. The maintenance and corrosion resistance characteristics as well as a low weight element has proven to stand up the hard working conditions for all needed applications.

Housings

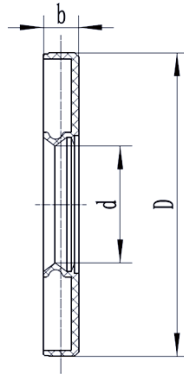
CRAFT bearings thermoplastic housing units are made of glass fiber-reinforced plastic and can be delivered with AISI420 or AISI440 stainless steel bearing inserts for maximum corrosion resistance. CRAFT bearings thermoplastic housing units are designed to meet important engineering demands for frequent washdowns, corrosion resistance, exposure to harsh chemicals and to high humidity, regreasable fittings and operating temperature -35C to 102C.

Applications

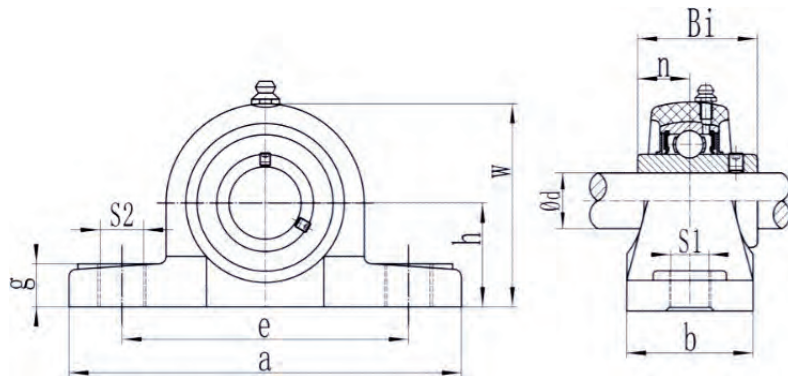
Due to corrosion-resistant and non-magnetic properties CRAFT bearings thermoplastic housing units are used in a wide variety of industries for e.g. food processing, canning, bottling, pharmacy industry, chemical processing, photography industry and etc.



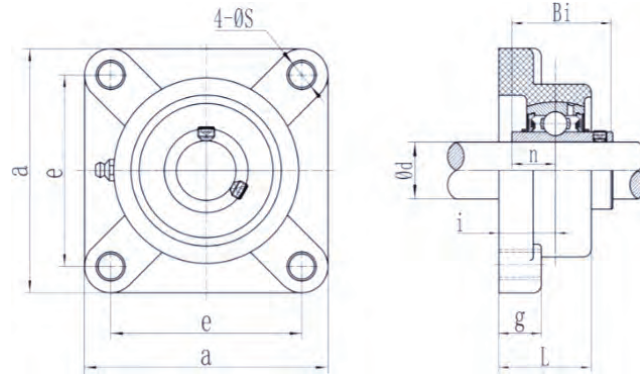
CRAFT	Dimensions (mm)							
	d	D	b	M	N	K	L	
CC-201/OC-201	12	52	6.00	50	7.00	32	23	
CC-202/OC-202	15	52	6.00	50	7.00	32	23	
CC-203/OC-203	17	52	6.00	50	7.00	32	23	
CC-204/OC-204	20	52	6.00	50	7.00	32	23	
CC-205/OC-205	25	62	6.00	55	7.00	37	25	
CC-206/OC-206	30	72	6.00	64	7.00	42	30	
CC-207/OC-207	35	82	6.00	74.5	7.00	47	32	
CC-208/OC-208	40	88	6.00	84	7.00	52	37	
CC-209/OC-209	45	93	6.00	89	7.00	57	41	
CC-210/OC-210	50	98	6.00	94	7.00	62	47	
CC-211/OC-211	55	108	6.00	104	7.00	65	56	
CC-212/OC-212	60	118	6.00	114	7.00	70	60	



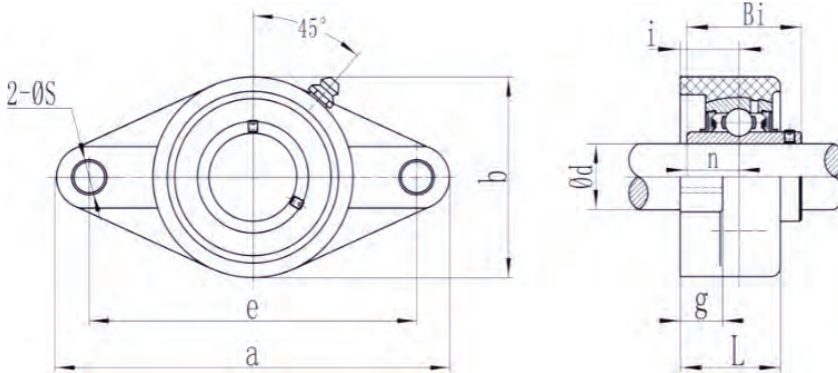
CRAFT	Dimensions (mm)		
	d	D	b
BS-204	20	52	6
BS-205	25	62	6
BS-206	30	72	6
BS-207	35	82	6
BS-208	40	88	6
BS-209	45	93	6
BS-210	50	98	6
BS-211	55	108	6
BS-212	60	118	6



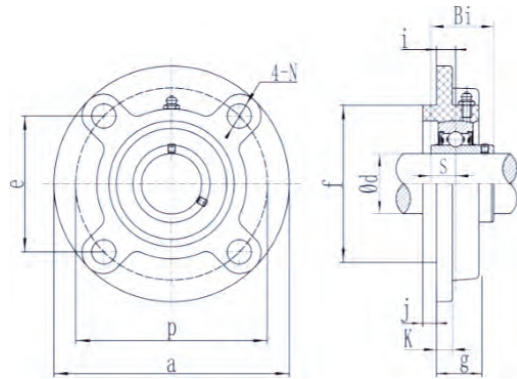
CRAFT	Dimensions (mm)												Bolt size	Weight (kg)
	d (in)	d	h	a	e	b	S1	S2	g	w	Bi	n		
SUCPPL-201	1/2	12	33.3	127	95	38	11	14	14.2	65.5	31	12.7	M10	0.12
SUCPPL-202	9/16 5/8	15	33.3	127	95	38	11	14	14.2	65.5	31	12.7	M10	0.12
SUCPPL-203	11/16	17	33.3	127	95	38	11	14	14.2	65.5	31	12.7	M10	0.12
SUCPPL-204	3/4	20	33.3	127	95	38	11	14	14.2	65.5	31	12.7	M10	0.12
SUCPPL-205	13/16 7/8 15/16 1	25	36.5	140.5	105	38	11	14	14.5	71.5	34.1	14.3	M10	0.14
SUCPPL-206	1-1/16 1-1/8 1-3/16 1-1/4	30	42.9	163.5	119	46	14	18	17.8	83.5	38.1	15.9	M12	0.2
SUCPPL-207	1-1/4 1-5/16 1-3/8 1-7/16	35	47.6	168	127	48	14	18	18	94.5	42.9	17.5	M12	0.25
SUCPPL-208	1-1/2 1-9/16	40	49.2	184	137	54	14	18	20	99	49.2	19	M12	0.35
SUCPPL-209	1-5/8 1-11/16 1-3/4	45	54	192	146	54	17	20	23	106	49.2	19	M16	0.45
SUCPPL-210	1-13/16 1-7/8 1-15/16 2	50	57.2	206	159	60	17	20	23	114	51.6	19	M16	0.55
SUCPPL-211	2 2-1/16 2-1/8 2-3/16	55	63.5	220	171	60	17	20	23	126	55.6	22.2	M16	0.65
SUCPPL-212	2-1/4 2-5/16 2-3/8 2-7/16	60	69.8	241	184	70	17	20	25	138	65.1	25.4	M16	0.75



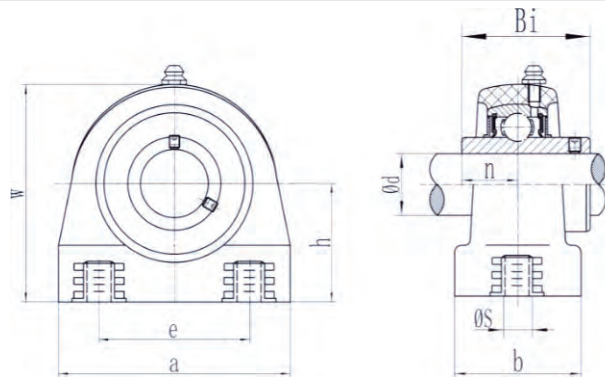
CRAFT	Dimension (mm)											Bolt size	Weight (kg)
	d (in)	d	a	e	g	L	S	i	Bi	n			
SUCFPL-201	1/2	12	86	63.5	13.4	27.8	11	18	31	12.7	M10	0.12	
SUCFPL-202	9/16 5/5	15	86	63.5	13.4	27.8	11	18	31	12.7	M10	0.12	
SUCFPL-203	11/16	17	86	63.5	13.4	27.8	11	18	31	12.7	M10	0.12	
SUCFPL-204	3/4	20	86	63.5	13.4	27.8	11	18	31	12.7	M10	0.12	
SUCFPL-205	13/16 7/8 15/16 1	25	95	70	14.5	28	11	17	34.1	14.3	M10	0.15	
SUCFPL-206	1-1/16 1-1/8 1-3/16 1-1/4	30	107	83	14.5	31.5	11	19.2	38.1	15.9	M10	0.18	
SUCFPL-207	1-1/4 1-5/16 1-3/8 1-7/16	35	117	92	16	34.8	13	21.5	42.9	17.5	M12	0.26	
SUCFPL-208	1-1/2 1-9/16	40	129	102	17	36.5	14	23	49.2	19	M12	0.33	
SUCFPL-209	1-5/8 1-11/16 1-3/4	45	137	105	19	41	17	24	49.2	19	M16	0.42	
SUCFPL-210	1-13/16 1-7/7 1-15/16 2	50	143	111	20	42	17	25	51.6	19	M16	0.51	
SUCFPL-211	2 2-1/16 2-1/8 2-3/16	55	162	130	19.5	43	19	25	55.6	22.2	M18	0.61	
SUCFPL-212	2-1/4 2-5/16 2-3/8 2-7/16	60	175	143	19	48	19	29	65.1	25.4	M18	0.72	



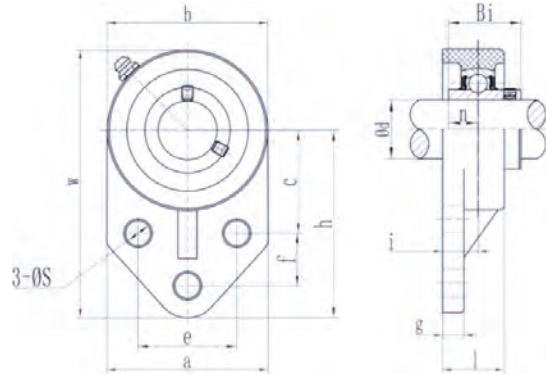
CRAFT	Dimension (mm)											Bolt size	Weight (kg)
	d (in)	d	a	e	b	g	l	s	i	Bi	n		
SUCFLPL 201	1/2	12	113	90	64	11.4	26.5	11	15.4	31	12.7	M10	0.08
SUCFLPL 202	9/16 5/5	15	113	90	64	11.4	26.5	11	15.4	31	12.7	M10	0.08
SUCFLPL 203	11/16	17	13	90	64	11.4	26.5	11	15.4	31	12.7	M10	0.08
SUCFLPL 204	3/4	20	113	90	64	11.4	26.5	11	15.4	31	12.7	M10	0.08
SUCFLPL 205	13/16 7/8 15/16 1	25	131	99	69.5	14	29.5	11	17	34.1	14.3	M10	0.10
SUCFLPL 206	1-1/16 1-1/8 1-3/16 1-1/4	30	148	117	80	14	30.5	11	19	38.1	15.9	M10	0.13
SUCFLPL 207	1-1/4 1-5/16 1-3/8 1-7/16	35	164	130	90	16	32.8	13	18	42.9	17.5	M12	0.16
SUCFLPL 208	1-1/2 1-9/16	40	175	144	99	20	37.5	14	21.5	49.2	19	M12	0.24
SUCFLPL 209	1-5/8 1-11/16 1-3/4	45	188	148	108	21	41	17	24	49.2	19	M16	0.32
SUCFLPL 210	1-13/16 1-7/7 1-15/16 2	50	197	157	115	21	42	17	25	51.6	19	M16	0.42
SUCFLPL 211	2 2-1/16 2-1/8 2-3/16	55	224	184	128	18.5	43	19	25	55.6	22.2	M18	0.55
SUCFLPL 212	2-1/4 2-5/16 2-3/8 2-7/16	60	250	202	139	24	48	19	29	65.1	25.4	M18	0.7



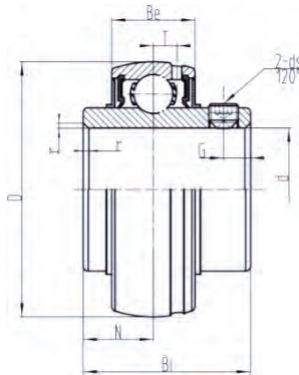
CRAFT	Dimension (mm)													Bolt size	Weight (kg)
	d	a	p	e	i	f	N	g	j	k	Bi	S			
SUCFCPL-204	20	100	78	55.1	10	62	11	20.5	5	7	31	12.7	M10	0.13	
SUCFCPL-205	25	115	90	63.6	10	70	11	21	6	7	34.1	14.3	M10	0.17	
SUCFCPL-206	30	125	100	70.7	10	80	11	23	8	8	38.1	15.9	M10	0.19	
SUCFCPL-207	35	135	110	77.8	11	90	13	26	8	9	42.9	17.5	M12	0.23	
SUCFCPL-208	40	145	120	84.8	11	100	13	26	10	9	49.2	19	M12	0.28	



CRAFT	Dimension (mm)										Bolt size	Weight (kg)		
	d (in)	d	h	b	w	e	a	Bi	n					
SUCPAPL-201	1/2	12	33.3	35	66.5	50.8	74	31	12.7	M8	0.13			
SUCPAPL-202	9/16	5/5	15	33.3	35	66.5	50.8	74	31	12.7	M8	0.13		
SUCPAPL-203	11/16	17	33.3	35	66.5	50.8	74	31	12.7	M8	0.13			
SUCPAPL-204	3/4	20	33.3	35	66.5	50.8	74	31	12.7	M8	0.13			
SUCPAPL-205	13/16	7/8	15/16	1	25	36.5	39.5	74	50.8	76.5	34.1	14.3	M10	0.15
SUCPAPL-206	1-1/16	1-1/8	1-3/16	1-1/4	30	42.9	42.5	84.5	76.2	102	38.1	15.9	M10	0.24
SUCPAPL-207	1-1/4	1-5/16	1-3/8	1-7/16	35	47.6	47.5	95	82.6	109.5	42.9	17.5	M10	0.28
SUCPAPL-208	1-1/2	1-9/16	40	49.2	48	100.5	88.9	121	49.2	19	M12	0.39		
SUCPAPL-209	1-5/8	1-11/16	1-3/4	45	54	50	107	95.3	124	49.2	19	M12	0.47	
SUCPAPL-210	1-13/16	1-7/7	1-15/16	2	50	57.2	54	115	101.6	135	51.6	19	M16	0.56
SUCPAPL-211	2	2-1/16	2-1/8	2-3/16	55	63.5	66	125	104	140	55.6	22.2	M20	0.71
SUCPAPL-212	2-1/4	2-5/16	2-3/8	2-7/16	60	69.9	68	138	114	150	65.1	25.4	M20	0.8

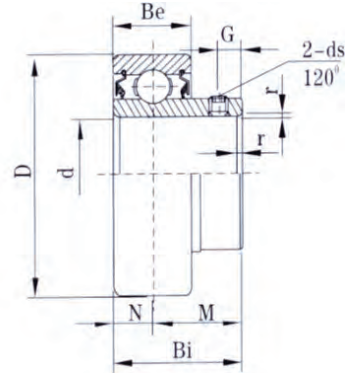
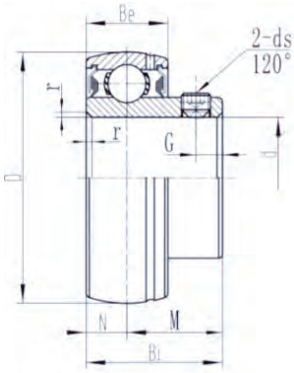


CRAFT	Dimension (mm)															Bolt size	Weight (kg)
	d (in)	d	a	e	h	w	s	f	c	b	l	g	i	n	Bi		
SUCFBPL-201	1/2	12	62	38.1	76.5	108.5	11	22.2	42.9	62	26.5	12	15.4	12.7	31	M10	0.1
SUCFBPL-202	9/16	15	62	38.1	76.5	108.5	11	22.2	42.9	62	26.5	12	15.4	12.7	31	M10	0.1
SUCFBPL-203	11/16	17	62	38.1	76.5	108.5	11	22.2	42.9	62	26.5	12	15.4	12.7	31	M10	0.1
SUCFBPL-204	3/4	20	62	38.1	76.5	108.5	11	22.2	42.9	62	26.5	12	15.4	12.7	31	M10	0.1
SUCFBPL-205	13/16	25	63.5	41.3	85.7	120.6	11	28.6	46	69	33.5	12	21	14.3	34.1	M10	0.12
SUCFBPL-206	1-1/16	30	75	47.6	98.5	140	11	31.8	52.4	83	31.5	14	19	15.9	38.1	M10	0.16
SUCFBPL-207	1-1/4	35	89	50.8	110	158	13	31.8	60.3	94	36.5	17	21.4	17.5	42.9	M12	0.18
SUCFBPL-208	1-1/2	40	78	50	114	164	13	41.3	60.3	100	35.7	18	21.4	19	49.2	M12	0.23



CRAFT	Dimension (mm)											Basic Load Rating (N)		Weight (kg)
	d (in)	d	D	Bi	Be	r	N	M	G	ds	T	Dyn. C	Stat. C ₀	
SUC201S		12	40	26	15	1	10	16	4	M5X0.8	3.5	7.65	3.6	0.12
SUC201-8S	1/2		40	26	15	1	10	16	4	10-32	3.5	7.65	3.6	0.12
SUC202S		15	40	26	15	1	10	16	4	M5X0.8	3.5	7.65	3.6	0.11
SUC202-10S	5/8		40	26	15	1	10	16	4	10-32	3.5	7.65	3.6	0.11
SUC203S		17	40	26	15	1	10	16	4	M5X0.8	3.5	7.65	3.6	0.1
SUC203-11S	11/16		40	26	15	1	10	16	4	10-32	3.5	7.65	3.6	0.1
SUC201		12	47	31	17	1	12.7	18.3	4.7	M6*0.75	4.00	10.37	5.08	0.21
SUC201-8	1/2		47	31	17	1	12.7	18.3	4.7	1/4-28	4.00	10.37	5.08	0.2
SUC202		15	47	31	17	1	12.7	18.3	4.7	M6*0.75	4.00	10.37	5.08	0.19
SUC202-10	5/8		47	31	17	1	12.7	18.3	4.7	1/4-28	4.00	10.37	5.08	0.19
SUC203		17	47	31	17	1	12.7	18.3	4.7	M6*0.75	4.00	10.37	5.08	0.18
SUC203-11	11/16		47	31	17	1	12.7	18.3	4.7	1/4-28	4.00	10.37	5.08	0.18

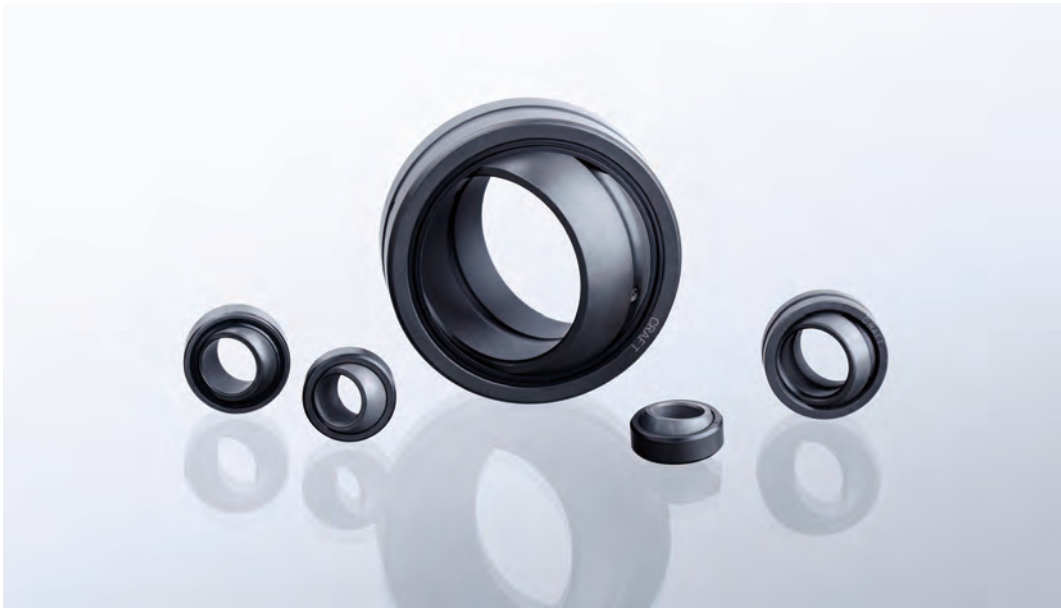
CRAFT	Dimension (mm)											Basic Load Rating (N)		Weight (kg)
	d (in)	d	D	Bi	Be	r	N	M	G	ds	T	Dyn. C	Stat. C ₀	
SUC204		20	47	31	17	1	12.7	18.3	4.7	M6*0.75	4.00	10.37	5.08	0.16
SUC204-12	3/4		47	31	17	1	12.7	18.3	4.7	1/4-28	4.00	10.37	5.08	0.16
SUC205		25	52	34.1	17	1.5	14.3	19.8	5	M6X0.75	4.20	11.31	6.00	0.19
SUC205-14	7/8		52	34.1	17	1.5	14.3	19.8	5	1/4-28	4.20	11.31	6.00	0.22
SUC205-15	15/16		52	34.1	17	1.5	14.3	19.8	5	1/4-28	4.20	11.31	6.00	0.20
SUC205-16	1		52	34.1	17	1.5	14.3	19.8	5	1/4-28	4.20	11.31	6.00	0.19
SUC206		30	62	38.1	19	1.5	15.9	22.2	5	M6X0.75	5.00	15.81	8.64	0.31
SUC206-17	1-1/16		62	38.1	19	1.5	15.9	22.2	5	1/4-28	5.00	15.81	8.64	0.36
SUC206-18	1-1/8		62	38.1	19	1.5	15.9	22.2	5	1/4-28	5.00	15.81	8.64	0.34
SUC206-19	1-3/16		62	38.1	19	1.5	15.9	22.2	5	1/4-28	5.00	15.81	8.64	0.32
SUC206-20	1-1/4		62	38.1	19	1.5	15.9	22.2	5	1/4-28	5.00	15.81	8.64	0.31
SUC207		35	72	42.9	20	2.00	17.5	25.4	7	M8X1	5.7	20.83	11.68	0.46
SUC207-20	1-1/4		72	42.9	20	2.00	17.5	25.4	7	5/16-24	5.7	20.83	11.68	0.52
SUC207-21	1-5/16		72	42.9	20	2.00	17.5	25.4	7	5/16-24	5.7	20.83	11.68	0.5
SUC207-22	1-3/8		72	42.9	20	2.00	17.5	25.4	7	5/16-24	5.7	20.83	11.68	0.48
SUC207-23	1-7/16		72	42.9	20	2.00	17.5	25.4	7	5/16-24	5.7	20.83	11.68	0.46
SUC208		40	80	49.2	21	2.00	19.00	30.2	8	M8X1	6.3	23.55	13.6	0.63
SUC208-24	1-1/2		80	49.2	21	2.00	19.00	30.2	8	5/16-24	6.3	23.55	13.6	0.68
SUC208-25	1-9/16		80	49.2	21	2.00	19.00	30.2	8	5/16-24	6.3	23.55	13.6	0.64
SUC209		45	85	49.2	22	2.00	19.00	30.2	8	M8X1	6.3	26.35	15.60	0.70
SUC209-26	1-5/8		85	49.2	22	2.00	19.00	30.2	8	5/16-24	6.3	26.35	15.60	0.78
SUC209-27	1-11/16		85	49.2	22	2.00	19.00	30.2	8	5/16-24	6.3	26.35	15.60	0.74
SUC209-28	1-3/4		85	49.2	22	2.00	19.00	30.2	8	5/16-24	6.3	26.35	15.60	0.70
SUC210		50	90	51.6	24	2.00	19.00	32.6	10	M10X1.25	6.6	28.48	18	0.78
SUC210-29	1-13/16		90	51.6	24	2.00	19.00	32.6	10	3/8-24	6.6	28.48	18	0.89
SUC210-30	1-7/8		90	51.6	24	2.00	19.00	32.6	10	3/8-24	6.6	28.48	18	0.85
SUC210-31	1-15/16		90	51.6	24	2.00	19.00	32.6	10	3/8-24	6.6	28.48	18	0.8
SUC210-32	2		90	51.6	24	2.00	19.00	32.6	10	3/8-24	6.6	28.48	18	0.78
SUC211		55	100	55.6	25	2.5	22.2	33.4	10	M10X1.25	7	35.28	22.4	1.07
SUC211-32	2		100	55.6	25	2.5	22.2	33.4	10	3/8-24	7	35.28	22.4	1.22
SUC211-33	2-1/16		100	55.6	25	2.5	22.2	33.4	10	3/8-24	7	35.28	22.4	1.18
SUC211-34	2-1/8		100	55.6	25	2.5	22.2	33.4	10	3/8-24	7	35.28	22.4	1.1
SUC211-35	2-3/16		100	55.6	25	2.5	22.2	33.4	10	3/8-24	7	35.28	22.4	1.05
SUC212		60	110	65.1	27	2.5	25.4	39.7	10	M10X1.25	7	42.5	26.34	1.52
SUC212-36	2-1/4		110	65.1	27	2.5	25.4	39.7	10	3/8-24	7	42.5	26.34	1.65
SUC212-37	2-5/16		110	65.1	27	2.5	25.4	39.7	10	3/8-24	7	42.5	26.34	1.55
SUC212-38	2-3/8		110	65.1	27	2.5	25.4	39.7	10	3/8-24	7	42.5	26.34	1.49
SUC212-39	2-7/16		110	65.1	27	2.5	25.4	39.7	10	3/8-24	7	42.5	26.34	1.42
SUC213		65	120	65.1	30	2.5	25.4	39.7	10	M10X1.25	8.5	46.5	30.4	1.80
SUC213-40	2-1/2		120	65.1	30	2.5	25.4	39.7	10	3/8-24	8.5	46.5	30.4	1.88
SUC213-41	2-9/16		120	65.1	30	2.5	25.4	39.7	10	3/8-24	8.5	46.5	30.4	1.80
SUC214		70	125	74.6	30	2.5	30.2	44.4	12	M12X1.5	8.9	50.15	33.6	2.06
SUC214-42	2-5/8		125	74.6	30	2.5	30.2	44.4	12	7/16-20	8.9	50.15	33.6	2.10
SUC214-43	2-11/16		125	74.6	30	2.5	30.2	44.4	12	7/16-20	8.9	50.15	33.6	2.08
SUC214-44	2-3/4		125	74.6	30	2.5	30.2	44.4	12	7/16-20	8.9	50.15	33.6	2.07
SUC215		75	130	77.8	32	2.5	33.3	44.5	12	M12X1.5	9.2	53.55	37.6	2.19
SUC215-45	2-13/16		130	77.8	32	2.5	33.3	44.5	12	7/16-20	9.2	53.55	37.6	2.41
SUC215-46	2-7/8		130	77.8	32	2.5	33.3	44.5	12	7/16-20	9.2	53.55	37.6	2.31
SUC215-47	2-15/16		130	77.8	32	2.5	33.3	44.5	12	7/16-20	9.2	53.55	37.6	2.21
SUC215-48	3		130	77.8	32	2.5	33.3	44.5	12	7/16-20	9.2	53.55	37.6	2.11
SUC216		80	140	82.6	33	3	33.3	49.3	14	M12X1.5	9.6	58.65	40.8	2.82
SUC216-50	3-1/8		140	82.6	33	3	33.3	49.3	14	7/16-20	9.6	58.65	40.8	2.90
SUC217		85	150	85.7	35	3	34.1	51.6	14	M12X1.5	10.5	68	48.8	3.46
SUC217-52	3-1/4		150	85.7	35	3	34.1	51.6	14	7/16-20	10.5	68	48.8	3.56
SUC218		90	160	96	37	3	39.7	56.3	15	M12X1.5	11	77.52	54.56	4.53
SUC218-56	3-1/2		160	96	37	3	39.7	56.3	15	7/16-20	11	77.52	54.56	4.62



CRAFT	Dimension (mm)										Basic Load Rating (N)		Weight (kg)
	d (in)	d	D	Bi	Be	r	N	M	G	ds	Dyn. C	Stat. C ₀	
SSB201		12	40	22	12	1	6	16	4.5	M5X0,8	7.82	3.58	0.10
SSB201-8	1/2		40	22	12	1	6	16	4.5	10-32	7.82	3.58	0.10
SSB202		15	40	22	12	1	6	16	4.5	M5*0.8	7.82	3.58	0.09
SSB202-10	5/8		40	22	12	1	6	16	4.5	10-32	7.82	3.58	0.09
SSB203		17	40	22	12	1	6	16	4.5	M5*0.8	7.82	3.58	0.08
SSB203-11	11/16		40	22	12	1	6	16	4.5	10-32	7.82	3.58	0.08
SSB204	3/4	20	47	25	14	1	7	18	5	M6X0,75	10.37	5.04	0.12
SSB204-12			47	25	14	1	7	18	5	1/4-28	10.37	5.04	0.13
SSB205		25	52	27	15	1.2	7.5	19.5	5.5	M6X0,75	11.31	5.97	0.17
SSB205-14	7/8		52	27	15	1.2	7.5	19.5	5.5	1/4-28	11.31	5.97	0.18
SSB205-15	15/16		52	27	15	1.2	7.5	19.5	5.5	1/4-28	11.31	5.97	0.17
SSB205-16	1		52	27	15	1.2	7.5	19.5	5.5	1/4-28	11.31	5.97	0.16
SSB206		30	62	30	16	1.2	8	22	6	M6X0,75	15.73	8.64	0.25
SSB206-17	1-1/16		62	30	16	1.2	8	22	6	1/4-28	15.73	8.64	0.28
SSB206-18	1-1/8		62	30	16	1.2	8	22	6	1/4-28	15.73	8.64	0.26
SSB206-19	1-3/16		62	30	16	1.2	8	22	6	1/4-28	15.73	8.64	0.25
SSB206-20	1-1/4		62	30	16	1.2	8	22	6	1/4-28	15.73	8.64	0.23
SSB207		35	72	32	17	1.5	8.5	23.5	6	M8X1	20.83	11.68	0.37
SSB207-20	1-1/4		72	32	17	1.5	8.5	23.5	6	1/4-28	20.83	11.68	0.41
SSB207-21	1-5/16		72	32	17	1.5	8.5	23.5	6	1/4-28	20.83	11.68	0.39
SSB207-22	1-3/8		72	32	17	1.5	8.5	23.5	6	1/4-28	20.83	11.68	0.37
SSB207-23	1-7/16		72	32	17	1.5	8.5	23.5	6	1/4-28	20.83	11.68	0.35
SSB208		40	80	34	18	1.5	9	25	7	M8X1	23.55	13.6	0.8
SSB208-24	1-1/2		80	34	18	1.5	9	25	7	5/16-24	23.55	13.6	0.8
SSB208-25	1-9/16		80	34	18	1.5	9	25	7	5/16-24	23.55	13.6	0.8
SSB209		45	85	41.2	19	1.5	10.2	31	8	M8X1	26.44	19.56	0.87
SSB209-26	1-5/8		85	41.2	19	1.5	10.2	31	8	5/16-24	26.44	19.56	0.87
SSB209-27	1-11/16		85	41.2	19	1.5	10.2	31	8	5/16-24	26.44	19.56	0.87
SSB209-28	1-3/4		85	41.2	19	1.5	10.2	31	8	5/16-24	26.44	19.56	0.87
SSB210		50	90	43.5	20	1.5	10.9	32.6	9.5	M8*1	30.01	22.53	1.1
SSB210-29	1-13/16		90	43.5	20	1.5	10.9	32.6	9.5	5/16-24	30.01	22.53	1.1
SSB210-30	1-7/8		90	43.5	20	1.5	10.9	32.6	9.5	5/16-24	30.01	22.53	1.1
SSB210-31	1-15/16		90	43.5	20	1.5	10.9	32.6	9.5	5/16-24	30.01	22.53	1.1
SSB210-32	2		90	43.5	20	1.5	10.9	32.6	9.5	5/16-24	30.01	22.53	1.1
SSB211		55	100	45.3	21	1.5	11.8	33.5	10	M10X1,25	32.39	24	1.1
SSB211-32	2		100	45.3	21	1.5	11.8	33.5	10	5/16-24	32.39	24	1.1
SSB211-33	2-1/16		100	45.3	21	1.5	11.8	33.5	10	5/16-24	32.39	24	1.1
SSB211-34	2-1/8		100	45.3	21	1.5	11.8	33.5	10	5/16-24	32.39	24	1.1
SSB211-35	2-3/16		100	45.3	21	1.5	11.8	33.5	10	5/16-24	32.39	24	1.1
SSB212		60	110	53.7	22	1.8	14.9	38.8	10	M10X1,25	35.28	26.18	1.3

CRAFT	Dimension (mm)										Basic Load Rating (N)		Weight (kg)
	d (in)	d	D	Bi	Be	r	N	M	G	ds	Dyn. C	Stat. C ₀	
SSB212-36	2-1/4		110	53.7	22	1.8	14.9	38.8	10	5/16-24	35.28	26.18	1.3
SSB212-37	2-5/16		110	53.7	22	1.8	14.9	38.8	10	5/16-24	35.28	26.18	1.3
SSB212-38	2-3/8		110	53.7	22	1.8	14.9	38.8	10	5/16-24	35.28	26.18	1.3
SSB212-39	2-7/16		110	53.7	22	1.8	14.9	38.8	10	5/16-24	35.28	26.18	1.3

SPHERICAL PLAIN BEARINGS GE
Series: GE.. GEZ.. GEG.. GEEW.. GEEM..



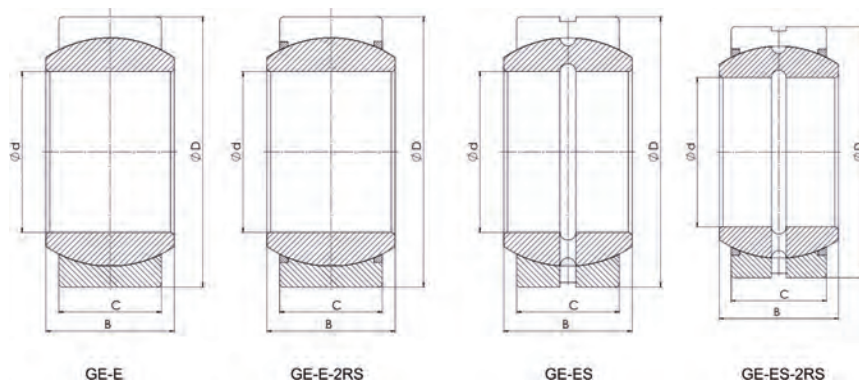
Subject	Symbol	Description
Series	GE	Single-split outer ring, metric (mm)
	GEZ	Single-split outer ring, imperial (in)
	GEG	Single-split outer ring. Wider inner ring and larger outside diameter compared to GE..ES
	GEEW	Single-split outer ring. An extended inner ring on both sides
	GEEM	Single-split outer ring. An extended inner ring on both sides which width equals the bore diameter
Type	2RS	Rubber seals on both sides
	E	Single-split outer ring
	S	Inner and outer rings have lubrication groove and holes

Features

Spherical plain bearings are radial plain bearings consists of an outer ring and an inner ring made of bearing steel and with spherical sliding contact surface. These bearing are suitable for arrangements with heavy radial load at low misalignment and oscillation. Moreover, spherical plain bearings can carry specific axial loads in both directions.

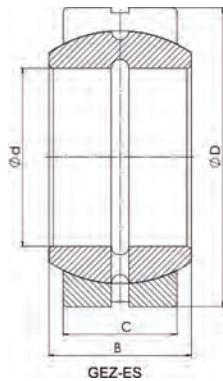
Sealing

Most popular sizes of CRAFT bearings plain bearings are available without seals or sealed on both sides. Standard sealed bearings can increase the service life of a bearing and save space, while reducing inventory and assembly costs. Spherical plain bearings GE series fitted on both sides with the rubber seals (2RS) are very effective, under normal operating conditions, at keeping, under normal operating conditions, at keeping contaminants away from the sliding contact surfaces. These seals also effectively retain the grease and therefore are appropriate for bearings requiring maintenance.

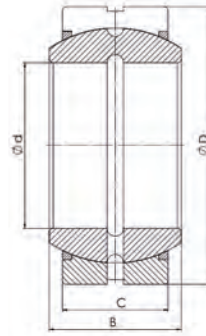


ISO	Dimensions (mm)								Basic Load Rating (N)		Weight (kg)
	d	D	B	C	d _k	R _{ts}	R _{zs}	Dyn. C	Stat. C ₀		
						min	min				
GE5E	5	14	6	4	10	0.30	0.30	3400	17000	0.005	
GE6E	6	14	6	4	10	0.30	0.30	3400	17000	0.004	
GE8E	8	16	8	5	13	0.30	0.30	5500	27500	0.007	
GE10E	10	19	9	6	16	0.30	0.30	8150	40500	0.011	
GE12E	12	22	10	7	18	0.30	0.30	10800	54000	0.016	
GE15ES	15	26	12	9	22	0.30	0.30	17000	85000	0.025	
GE15ES 2RS	15	26	12	9	22	0.30	0.30	17000	85000	0.025	
GE16ES	16	30	14	10	25	0.30	0.30	21200	106000	0.041	
GE16ES 2RS	16	30	14	10	25	0.30	0.30	21200	106000	0.041	
GE17ES	17	30	14	10	25	0.30	0.30	21200	106000	0.041	
GE17ES 2RS	17	30	14	10	25	0.30	0.30	21200	106000	0.041	
GE20ES	20	35	16	12	29	0.60	0.30	30000	146000	0.061	
GE20ES 2RS	20	35	16	12	29	0.60	0.30	30000	146000	0.061	
GE25ES	25	42	20	16	35.5	0.60	0.60	48000	240000	0.110	
GE25ES 2RS	25	42	20	16	35.5	0.60	0.60	48000	240000	0.110	
GE30ES	30	47	22	18	40.7	0.60	0.60	62000	310000	0.140	
GE30ES 2RS	30	47	22	18	40.7	0.60	0.60	62000	310000	0.140	
GE35ES	35	55	25	20	47	0.60	1.00	80000	400000	0.220	
GE35ES 2RS	35	55	25	20	47	0.60	1.00	80000	400000	0.220	
GE40ES	40	62	28	22	53	0.60	1.00	100000	500000	0.300	
GE40ES 2RS	40	62	28	22	53	0.60	1.00	100000	500000	0.300	
GE45ES	45	68	32	25	60	0.60	1.00	127000	640000	0.410	
GE45ES 2RS	45	68	32	25	60	0.60	1.00	127000	640000	0.410	
GE50ES	50	75	35	28	66	0.60	1.00	156000	780000	0.530	
GE50ES 2RS	50	75	35	28	66	0.60	1.00	156000	780000	0.530	
GE55ES	55	85	40	32	74	0.60	1.00	200000	1000000	0.940	
GE55ES 2RS	55	85	40	32	74	0.60	1.00	200000	1000000	0.940	
GE60ES	60	90	44	36	80	1.00	1.00	245000	1220000	1.000	
GE60ES 2RS	60	90	44	36	80	1.00	1.00	245000	1220000	1.000	
GE70ES	70	105	49	40	92	1.00	1.00	315000	1560000	1.500	
GE70ES 2RS	70	105	49	40	92	1.00	1.00	315000	1560000	1.500	
GE80ES	80	120	55	45	105	1.00	1.00	400000	2000000	2.200	
GE80ES 2RS	80	120	55	45	105	1.00	1.00	400000	2000000	2.200	
GE90ES	90	130	60	50	115	1.00	1.00	490000	2450000	2.700	
GE90ES 2RS	90	130	60	50	115	1.00	1.00	490000	2450000	2.700	
GE100ES	100	150	70	55	130	1.00	1.00	610000	3050000	4.300	
GE100ES 2RS	100	150	70	55	130	1.00	1.00	610000	3050000	4.300	
GE110ES	110	160	70	55	140	1.00	1.00	655000	3250000	4.700	
GE110ES 2RS	110	160	70	55	140	1.00	1.00	655000	3250000	4.700	
GE120ES	120	180	85	70	160	1.00	1.00	950000	4750000	8.000	
GE120ES 2RS	120	180	85	70	160	1.00	1.00	950000	4750000	8.000	
GE140ES	140	210	90	70	180	1.00	1.00	1080000	5400000	11.000	
GE140ES 2RS	140	210	90	70	180	1.00	1.00	1080000	5400000	11.000	

ISO	Dimensions (mm)						Basic Load Rating (N)		Weight (kg)	
	d	D	B	C	d _k	R _{1s}	R _{2s}	Dyn. C		Stat. C ₀
						min	min			
GE160ES	160	230	105	80	200	1.00	1.00	1360000	6800000	14.000
GE160ES 2RS	160	230	105	80	200	1.00	1.00	1360000	6800000	14.000
GE180ES	180	260	105	80	225	1.00	1.00	1530000	7650000	18.500
GE180ES 2RS	180	260	105	80	225	1.00	1.00	1530000	7650000	18.500
GE200ES	200	290	130	100	250	1.10	1.10	2120000	10600000	28.000
GE200ES 2RS	200	290	130	100	250	1.10	1.10	2120000	10600000	28.000
GE220ES	220	320	135	100	275	1.10	1.10	2320000	11600000	35.510
GE220ES 2RS	220	320	135	100	275	1.10	1.10	2320000	11600000	35.510
GE240ES	240	340	140	100	300	1.10	1.10	2550000	12700000	39.910
GE240ES 2RS	240	340	140	100	300	1.10	1.10	2550000	12700000	39.910
GE260ES	260	370	150	110	325	1.10	1.10	3030000	15190000	51.540
GE260ES 2RS	260	370	150	110	325	1.10	1.10	3030000	15190000	51.540
GE280ES	280	400	155	120	350	1.10	1.10	3570000	17850000	65.060
GE280ES 2RS	280	400	155	120	350	1.10	1.10	3570000	17850000	65.060
GE300ES	300	430	165	120	375	1.10	1.10	3800000	19100000	78.070
GE300ES 2RS	300	430	165	120	375	1.10	1.10	3800000	19100000	78.070



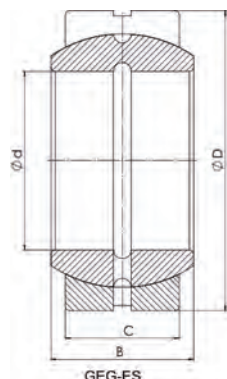
GEZ-ES



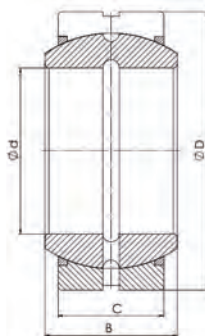
GEZ-ES-2RS

ISO	Dimensions (in)						Basic Load Rating (N)		Weight (kg)	
	d	D	B	C	d _k	R _{1s}	R _{2s}	Dyn. C		Stat. C ₀
						min	min			
GEZ12ES	0.5	0.875	0.437	0.375	0.709	0.15	0.60	2922	9217	0.022
GEZ15ES	0.625	1.0625	0.547	0.469	0.906	0.15	0.60	4945	14612	0.036
GEZ19ES	0.75	1.25	0.656	0.562	1.083	0.30	0.60	6969	21356	0.053
GEZ22ES	0.875	1.4375	0.756	0.656	1.26	0.30	0.60	9441	28549	0.085
GEZ25ES	1	1.625	0.875	0.75	1.437	0.30	0.60	12589	37316	0.121
GEZ31ES	1.25	2	1.093	0.937	1.791	0.60	0.60	19332	58447	0.230
GEZ34ES	1.375	2.1875	1.187	1.031	1.929	0.60	1.00	22929	69686	0.350
GEZ38ES	1.5	2.4375	1.312	1.125	2.154	0.60	1.00	28099	84298	0.420
GEZ44ES	1.75	2.8125	1.531	1.312	2.516	0.60	1.00	38215	114645	0.640
GEZ50ES	2	3.1875	1.75	1.5	2.874	0.60	1.00	50354	150613	0.930
GEZ57ES	2.25	3.5625	1.969	1.687	3.228	0.60	1.00	62943	191076	1.300
GEZ63ES	2.5	3.9375	2.187	1.875	3.622	1.00	1.00	79802	238283	1.800
GEZ69ES	2.75	4.375	2.406	2.062	3.937	1.00	1.00	9329	280994	2.400
GEZ76ES	3	4.75	2.625	2.25	4.311	1.00	1.00	112397	337192	3.100
GEZ82ES	3.25	5.125	2.844	2.437	4.685	1.00	1.00	131505	395639	3.800
GEZ88ES	3.5	5.5	3.062	2.625	5.039	1.00	1.00	152861	458582	4.800
GEZ95ES	3.75	5.875	3.281	2.812	5.394	1.00	1.00	17534	530516	5.800
GEZ101ES	4	6.25	3.5	3	5.748	1.00	1.00	202315	595706	7.000
GEZ107ES	4.25	6.625	3.719	3.187	6.102	1.00	1.00	224795	674385	8.400
GEZ114ES	4.5	7	3.937	3.375	6.476	1.00	1.00	25177	764303	9.800
GEZ120ES	4.75	7.375	4.156	3.562	6.831	1.00	1.00	280994	842981	11.500

ISO	Dimensions (in)							Basic Load Rating (N)		Weight (kg)
	d	D	B	C	d _k	R _{1s}	R _{2s}	Dyn. C	Stat. C ₀	
						min	min			
GEZ127ES	5	7.75	4.375	3.75	7.205	1.00	1.00	314713	932899	13.500
GEZ152ES	6	8.75	4.75	4.125	8.15	1.00	1.00	388895	1168933	17.500
GEZ165ES	6.5	9.75	4.875	4.062	8.78	1.10	1.10	411375	1236372	22.900
GEZ177ES	7	10.5	5.25	4.375	9.449	1.10	1.10	476565	1436439	28.600
GEZ190ES	7.5	11.25	5.625	4.687	10.118	1.10	1.10	548499	1649994	35.100
GEZ203ES	8	12	6	5	10.827	1.10	1.10	622682	1877037	42.600
GEZ215ES	8.5	12.75	6.375	5.312	11.496	1.10	1.10	703608	2117568	51.100
GEZ228ES	9	13.5	6.75	5.625	12.165	1.10	1.10	78903	2360346	60.700
GEZ241ES	9.5	14.25	7.125	5.937	12.835	1.10	1.10	878948	2630100	71.400
GEZ254ES	10	15	7.5	6.25	13.504	1.10	1.10	97561	2933573	83.300
GEZ266ES	10.5	15.75	7.875	6.562	14.173	1.10	1.10	1074520	3214567	96.400
GEZ279ES	11	16.5	8.25	6.875	14.843	1.10	1.10	1180173	3529280	110.800
GEZ292ES	11.5	17.25	8.625	7.187	15.551	1.10	1.10	1290323	3866472	126.700
GEZ304ES	12	18	9	7.5	16.22	1.10	1.10	1404968	4203664	143.900
GEZ19ES 2RS	0.75	1.25	0.656	0.562	1.083	0.30	0.60	6969	21356	0.053
GEZ22ES 2RS	0.875	1.4375	0.756	0.656	1.26	0.30	0.60	9441	28549	0.085
GEZ25ES 2RS	1	1.625	0.875	0.75	1.437	0.30	0.60	12589	37316	0.121
GEZ31ES 2RS	1.25	2	1.093	0.937	1.791	0.60	0.60	19332	58447	0.232
GEZ34ES 2RS	1.375	2.1875	1.187	1.031	1.929	0.60	1.00	22929	69686	0.351
GEZ38ES 2RS	1.5	2.4375	1.312	1.125	2.154	0.60	1.00	28099	84298	0.422
GEZ44ES 2RS	1.75	2.8125	1.531	1.312	2.516	0.60	1.00	38215	114645	0.641
GEZ50ES 2RS	2	3.1875	1.75	1.5	2.874	0.60	1.00	50354	150613	1.330
GEZ57ES 2RS	2.25	3.5625	1.969	1.687	3.228	0.60	1.00	62943	191076	1.850
GEZ63ES 2RS	2.5	3.9375	2.187	1.875	3.622	1.00	1.00	79802	238283	2.420
GEZ69ES 2RS	2.75	4.375	2.406	2.062	3.937	1.00	1.00	9329	280994	3.100
GEZ76ES 2RS	3	4.75	2.625	2.25	4.311	1.00	1.00	112397	337192	3.820
GEZ82ES 2RS	3.25	5.125	2.844	2.437	4.685	1.00	1.00	131505	395639	4.790
GEZ88ES 2RS	3.5	5.5	3.062	2.625	5.039	1.00	1.00	152861	458582	5.780
GEZ95ES 2RS	3.75	5.875	3.281	2.812	5.394	1.00	1.00	17534	530516	6.990
GEZ101ES 2RS	4	6.25	3.5	3	5.748	1.00	1.00	202315	595706	7.000
GEZ107ES 2RS	4.25	6.625	3.719	3.187	6.102	1.00	1.00	224795	674385	8.410
GEZ114ES 2RS	4.5	7	3.937	3.375	6.476	1.00	1.00	25177	764303	9.790
GEZ120ES 2RS	4.75	7.375	4.156	3.562	6.831	1.00	1.00	280994	842981	11.500
GEZ127ES 2RS	5	7.75	4.375	3.75	7.205	1.00	1.00	314713	932899	13.500
GEZ152ES 2RS	6	8.75	4.75	4.125	8.15	1.00	1.00	388895	1168933	17.500
GEZ165ES 2RS	6.5	9.75	4.875	4.062	8.78	1.10	1.10	411375	1236372	22.900
GEZ177ES 2RS	7	10.5	5.25	4.375	9.449	1.10	1.10	476565	1436439	28.600
GEZ190ES 2RS	7.5	11.25	5.625	4.687	10.118	1.10	1.10	548499	1649994	35.100
GEZ203ES 2RS	8	12	6	5	10.827	1.10	1.10	622682	1877037	42.600
GEZ215ES 2RS	8.5	12.75	6.375	5.312	11.496	1.10	1.10	703608	2117568	51.100
GEZ228ES 2RS	9	13.5	6.75	5.625	12.165	1.10	1.10	78903	2360346	60.700
GEZ241ES 2RS	9.5	14.25	7.125	5.937	12.835	1.10	1.10	878948	2630100	71.400
GEZ254ES 2RS	10	15	7.5	6.25	13.504	1.10	1.10	97561	2933573	83.300
GEZ266ES 2RS	10.5	15.75	7.875	6.562	14.173	1.10	1.10	1074520	3214567	96.400
GEZ279ES 2RS	11	16.5	8.25	6.875	14.843	1.10	1.10	1180173	3529280	110.800
GEZ292ES 2RS	11.5	17.25	8.625	7.187	15.551	1.10	1.10	1290323	3866472	126.700
GEZ304ES 2RS	12	18	9	7.5	16.22	1.10	1.10	1404968	4203664	143.900



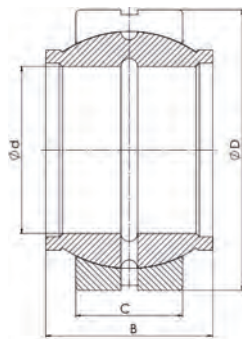
GEG-ES



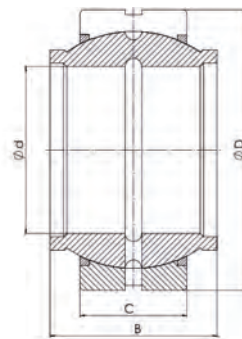
GEG-ES-2RS

ISO	Dimensions (mm)					Basic Load Rating (N)		Weight (kg)
	d	D	B	C	d_k	Dyn. C	Stat. C ₀	
GEG4E	4	14	7	4	10	34000	17000	0.005
GEG5E	5	16	9	5	13	55000	27000	0.009
GEG6E	6	16	9	5	13	55000	27000	0.010
GEG8E	8	19	11	6	16	81000	40000	0.014
GEG10E	10	22	12	7	18	10000	53000	0.021
GEG12E	12	26	15	9	22	16000	84000	0.036
GEG15ES	15	30	16	10	25	21000	106000	0.049
GEG17ES	17	35	20	12	29	30000	146000	0.083
GEG20ES	20	42	25	16	35.5	48000	240000	0.153
GEG25ES	25	47	28	18	40.7	62000	310000	0.203
GEG30ES	30	55	32	20	47	79000	399000	0.286
GEG35ES	35	62	35	22	53	99000	495000	0.386
GEG40ES	40	68	40	25	60	127000	637000	0.518
GEG45ES	45	75	43	28	66	156000	780000	0.670
GEG50ES	50	90	56	36	80	245000	1220000	1.388
GEG60ES	60	105	63	40	92	313000	1560000	2.012
GEG70ES	70	120	70	45	105	400000	2000000	3.010
GEG80ES	80	130	75	50	115	488000	2440000	3.640
GEG90ES	90	150	85	55	130	607000	3030000	5.220
GEG100ES	100	160	85	55	140	654000	3270000	6.050
GEG110ES	110	180	100	70	160	950000	4750000	9.680
GEG120ES	120	210	115	70	180	1070000	5350000	14.010
GEG140ES	140	230	130	80	200	1360000	6800000	18.500
GEG160ES	160	260	135	80	225	1530000	7650000	25.000
GEG180ES	180	290	155	100	250	2120000	10600000	35.500
GEG200ES	200	320	165	100	275	2320000	11600000	45.280
GEG220ES	220	340	175	100	300	2550000	12700000	50.900
GEG240ES	240	370	190	110	325	3030000	15190000	65.300
GEG260ES	260	400	205	120	350	3570000	17850000	82.000
GEG280ES	280	430	210	120	375	3800000	19100000	96.600
GEG15ES 2RS	15	30	16	10	25	21000	106000	0.049
GEG17ES 2RS	17	35	20	12	29	30000	146000	0.083
GEG20ES 2RS	20	42	25	16	35.5	48000	240000	0.153
GEG25ES 2RS	25	47	28	18	40.7	62000	310000	0.203
GEG30ES 2RS	30	55	32	20	47	79000	399000	0.286
GEG35ES 2RS	35	62	35	22	53	99000	495000	0.386
GEG40ES 2RS	40	68	40	25	60	127000	637000	0.518
GEG45ES 2RS	45	75	43	28	66	156000	780000	0.670
GEG50ES 2RS	50	90	56	36	80	245000	1220000	1.388
GEG60ES 2RS	60	105	63	40	92	313000	1560000	2.012
GEG70ES 2RS	70	120	70	45	105	400000	2000000	3.010
GEG80ES 2RS	80	130	75	50	115	488000	2440000	3.640
GEG90ES 2RS	90	150	85	55	130	607000	3030000	5.220

ISO	Dimensions (mm)					Basic Load Rating (N)		Weight (kg)
	d	D	B	C	d _k	Dyn. C	Stat. C ₀	
GEG100ES 2RS	100	160	85	55	140	654000	3270000	6.050
GEG110ES 2RS	110	180	100	70	160	950000	4750000	9.680
GEG120ES 2RS	120	210	115	70	180	1070000	5350000	14.010
GEG140ES 2RS	140	230	130	80	200	1360000	6800000	18.500
GEG160ES 2RS	160	260	135	80	225	1530000	7650000	25.000
GEG180ES 2RS	180	290	155	100	250	2120000	10600000	35.500
GEG200ES 2RS	200	320	165	100	275	2320000	11600000	45.280
GEG220ES 2RS	220	340	175	100	300	2550000	12700000	50.900
GEG240ES 2RS	240	370	190	110	325	3030000	15190000	65.300
GEG260ES 2RS	260	400	205	120	350	3570000	17850000	82.000
GEG280ES 2RS	280	430	210	120	375	3800000	19100000	96.600

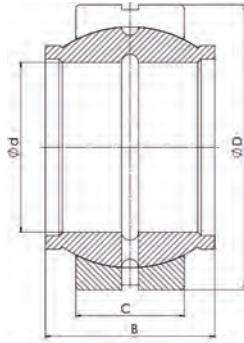


GEEW-ES

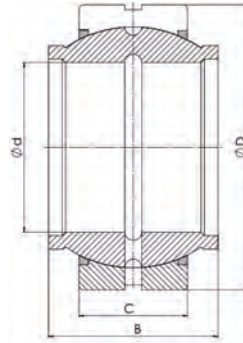


GEEW-ES-2RS

ISO	Dimensions (mm)					Basic Load Rating (N)		Weight (kg)
	d	D	B	C	d _k	Dyn. C	Stat. C ₀	
GEEW12ES	12	22	12	7	18	10000	53000	0.022
GEEW15ES	15	26	15	9	22	16000	84000	0.031
GEEW16ES	16	28	16	9	23	17000	85000	0.035
GEEW17ES	17	30	17	10	25	21000	106000	0.044
GEEW20ES	20	35	20	12	29	30000	146000	0.071
GEEW25ES	25	42	25	16	35.5	48000	240000	0.131
GEEW30ES	30	47	30	18	40.7	62000	310000	0.168
GEEW32ES	32	52	32	18	43	65000	328000	0.182
GEEW35ES	35	55	35	20	47	79000	399000	0.253
GEEW40ES	40	62	40	22	53	99000	495000	0.338
GEEW45ES	45	68	45	25	60	127000	637000	0.481
GEEW50ES	50	75	50	28	66	156000	780000	0.558
GEEW60ES	60	90	60	36	80	245000	1220000	1.150
GEEW63ES	63	95	63	36	83	253000	1260000	1.250
GEEW70ES	70	105	70	40	92	313000	1560000	1.710
GEEW80ES	80	120	80	45	105	400000	2000000	2.390
GEEW90ES	90	130	90	50	115	488000	2440000	3.210
GEEW100ES	100	150	100	55	130	607000	3030000	4.790
GEEW110ES	110	160	110	55	140	654000	3270000	5.780
GEEW125ES	125	180	125	70	160	950000	4750000	8.500
GEEW160ES	160	230	160	80	200	1360000	6800000	16.500
GEEW200ES	200	290	200	100	250	2120000	10600000	32.100
GEEW250ES	250	400	250	120	350	3750000	17800000	101.000
GEEW320ES	320	520	320	160	450	6200000	30500000	225.000



GEEM-ES



GEEM-ES-2RS

ISO	Dimensions (mm)					Basic Load Rating (N)		Weight (kg)
	d	D	B	C	d_k	Dyn. C	Stat. C ₀	
GEEM17ES 2RS	17	30	21	10	25	21200	106000	0.040
GEEM20ES 2RS	20	35	24	12	29	30000	146000	0.073
GEEM25ES 2RS	25	42	29	16	35.5	48000	240000	0.130
GEEM30ES 2RS	30	47	30	18	40.7	62000	310000	0.170
GEEM35ES 2RS	35	55	35	20	47	79000	399000	0.250
GEEM40ES 2RS	40	62	38	22	53	99000	495000	0.350
GEEM45ES 2RS	45	68	40	25	60	127000	637000	0.490
GEEM50ES 2RS	50	75	43	28	66	156000	780000	0.600
GEEM60ES 2RS	60	90	54	36	80	245000	1220000	1.150
GEEM70ES 2RS	70	105	65	40	92	313000	1560000	1.650
GEEM80ES 2RS	80	120	74	45	105	400000	2000000	2.500
GEEM90ES 2RS	90	130	80	50	115	488000	2440000	2.880
GEEM100ES 2RS	100	150	90	55	130	607000	3030000	4.650
GEEM120ES 2RS	120	180	108	70	160	950000	4750000	8.440



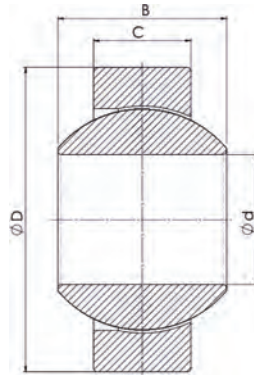
Subject	Symbol	Description
Series	S	Without lubrication groove and holes, non-split outer ring
	SS	With lubrication groove and hole in inner ring, non-split outer ring
	SSP	With lubrication groove and hole in inner ring, single-split outer ring
	SSL	With lubrication groove and hole in inner ring, double-split outer ring
Type	-	Inner ring has lubrication groove and hole
	K	Inner and outer rings have lubrication groove and holes
	K1	Outer ring has lubrication groove and hole

Features

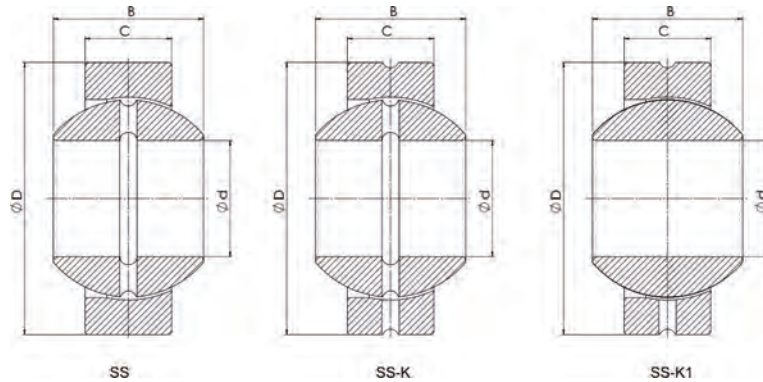
Spherical plain bearings are radial plain bearings consists of an outer ring and an inner ring made of bearing steel and with spherical sliding contact surface. These bearing are suitable for arrangements with heavy radial load at low misalignment and oscillation. Moreover, spherical plain bearings can carry specific axial loads in both directions.

Sealing

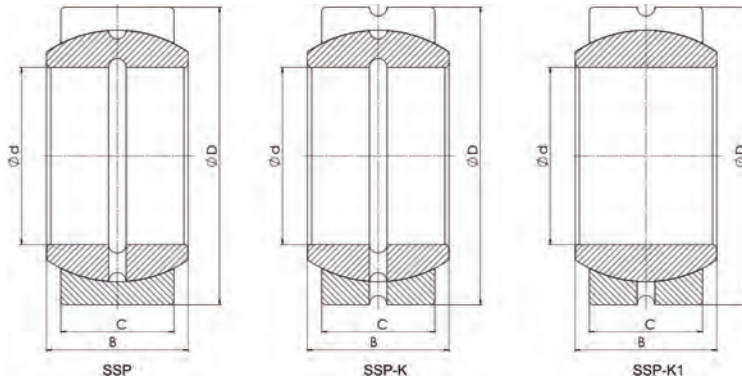
Most popular sizes of CRAFT bearings plain bearings are available without seals or sealed on both sides. Standard sealed bearings can increase the service life of a bearing and save space, while reducing inventory and assembly costs. Spherical plain bearings S series fitted on both sides with the rubber seals (2RS) are very effective, under normal operating conditions, at keeping, under normal operating conditions, at keeping contaminants away from the sliding contact surfaces. These seals also effectively retain the grease and therefore are appropriate for bearings requiring maintenance.



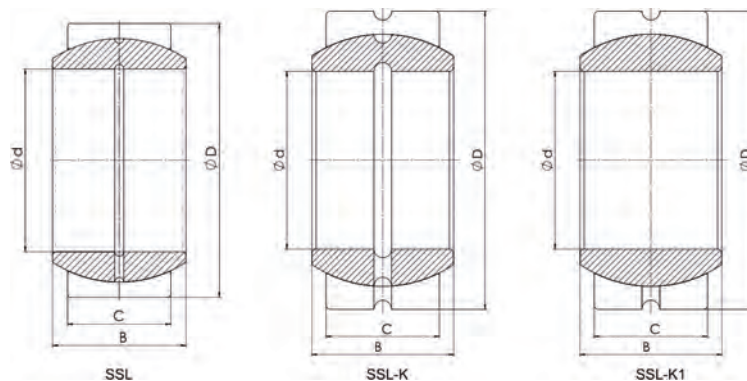
ISO	GOST	Dimensions (mm)				Basic Load Rating (N)		Weight (kg)
		d	D	B	C	Dyn. C	Stat. C ₀	
S5	Ш5	5	14	6	4	3400	17000	0.005
S6	Ш6	6	14	6	4	3400	17000	0.005
S8	Ш8	8	17	8	5	5525	27625	0.008
S10	Ш10	10	20	9	6	8160	40800	0.012
S12	Ш12	12	22	10	7	10710	53550	0.012
2S12	2Ш12	12	32	10	7	15470	77350	0.065
S15	Ш15	15	28	12	7	13685	68425	0.035
2S15	2Ш15	15	35	18	14	34510	172550	0.082
S17	Ш17	17	32	14	10	22100	110500	0.048
2S17	2Ш17	17	40	21	14	38080	190400	0.148
S20	Ш20	20	35	16	12	29580	147900	0.065
2S20	2Ш20	20	47	26	15	44625	223125	0.190
S25	Ш25	25	42	20	16	48280	241400	0.115
S30	Ш30	30	47	22	18	62271	311355	0.158
S35	Ш35	35	55	26	21	83895	419475	0.238
S40	Ш40	40	62	28	22	99110	495550	0.330
S45	Ш45	45	70	32	25	127500	637500	0.460
S50	Ш50	50	75	35	28	157080	785400	0.560
S55	Ш55	55	85	40	32	204000	1020000	0.880
S60	Ш60	60	90	44	36	244800	1224000	0.942



ISO	GOST	Dimensions (mm)				Basic Load Rating (N)		Weight (kg)
		d	D	B	C	Dyn. C	Stat. C ₀	
SS5	ШЦ5	5	14	6	4	3400	17000	0.005
SS6	ШЦ6	6	14	6	4	3400	17000	0.005
SS8	ШЦ8	8	17	8	5	5525	27625	0.008
SS10	ШЦ10	10	20	9	6	8160	40800	0.012
SS12	ШЦ12	12	22	10	7	10710	53550	0.012
2SS12	2ШЦ12	12	32	16	12	26520	132600	0.065
SS15	ШЦ15	15	28	12	8	15640	78200	0.035
2SS15	2ШЦ15	15	35	18	14	34510	172550	0.082
SS17	ШЦ17	17	32	14	10	22100	110500	0.048
2SS17	2ШЦ17	17	40	21	14	38080	190400	0.148
SS20	ШЦ20	20	35	16	12	29580	147900	0.065
2SS20	2ШЦ20	20	47	26	15	44625	223125	0.190
SS25	ШЦ25	25	42	20	16	48280	241400	0.115
SS30	ШЦ30	30	47	22	18	62271	311355	0.158
SS35	ШЦ35	35	55	26	21	83895	419475	0.238
SS40	ШЦ40	40	62	28	22	99110	495550	0.330
SS45	ШЦ45	45	70	32	25	127500	637500	0.460
SS50	ШЦ50	50	75	35	28	157080	785400	0.560
SS55	ШЦ55	55	85	40	32	204000	1020000	0.880
SS60	ШЦ60	60	90	44	36	244800	1224000	0.942
SS80	ШЦ80	80	125	76	70	678300	3391500	3.780
9SS110	9ШЦ110	110	150	40	35	242550	2310000	1.900



ISO	GOST	Dimensions (mm)				Basic Load Rating (N)		Weight (kg)
		d	D	B	C	Dyn. C	Stat. C ₀	
SSP6	ШСП6	6	14	6	4	3400	17000	0.005
SSP8	ШСП8	8	17	8	5	5525	27625	0.008
SSP10	ШСП10	10	20	9	6	8160	40800	0.012
SSP12	ШСП12	12	22	10	7	10710	53550	0.012
SSP15	ШСП15	15	28	12	8	15640	78200	0.035
SSP17	ШСП17	17	32	14	10	22100	110500	0.048
SSP20	ШСП20	20	35	16	12	29580	147900	0.065
SSP25	ШСП25	25	42	20	16	48280	241400	0.115
SSP30	ШСП30	30	47	22	18	62271	311355	0.158
SSP35	ШСП35	35	55	26	21	83895	419475	0.238
SSP40	ШСП40	40	62	28	22	99110	495550	0.330
SSP42	ШСП42	42	62	25	22	100640	513540	0.323
SSP45	ШСП45	45	70	32	25	127500	637500	0.460
SSP50	ШСП50	50	75	35	28	157080	785400	0.560
SSP55	ШСП55	55	85	40	32	204000	1020000	0.880
SSP60	ШСП60	60	90	44	34	234500	1130040	0.976
SSP70	ШСП70	70	105	49	40	251233	1300600	1.526
SSP90	ШСП90	90	130	60	50	300120	1450700	2.734



ISO	GOST	Dimensions (mm)				Basic Load Rating (N)		Weight (kg)
		d	D	B	C	Dyn. C	Stat. C ₀	
SSL60	ШЦ/160	60	90	44	36	244800	1224000	0.942
GSSL60	ГШЦ/160	60	105	63	40	336000	1680000	2.082
2SSL60	2ШЦ/160	60	110	60	34	267000	1337000	2.184
6SSL60	6ШЦ/160	60	130	85	70	684250	3421250	5.700
SSL70	ШЦ/170	70	105	49	40	312800	1564000	1.560
GSSL70	ГШЦ/170	70	120	70	45	435000	2173000	2.942
2SSL70	2ШЦ/170	70	125	70	35	314000	1571000	2.410
SSL80	ШЦ/180	80	125	76	70	678300	3391500	3.780
SSL90	ШЦ/190	90	130	60	50	488750	2443750	2.790
2SSL90	2ШЦ/190	90	160	80	50	552500	2762500	6.100
SSL100	ШЦ/100	100	150	70	55	607750	3038750	4.300
SSL110	ШЦ/110	110	160	70	55	654500	3272500	4.700
SSL120	ШЦ/120	120	180	85	70	952000	4760000	8.090
2SSL120	2ШЦ/120	120	215	130	90	1576000	7880000	19.700
SSL130	ШЦ/130	130	200	95	52	773500	3867500	8.930
2SSL150	2ШЦ/150	150	270	160	110	2361000	11805000	39.850

ROD ENDS

Series: SI/SIL T/K.. SI/SIL P/K.. SA/SAL T/K.. SA/SAL P/K..



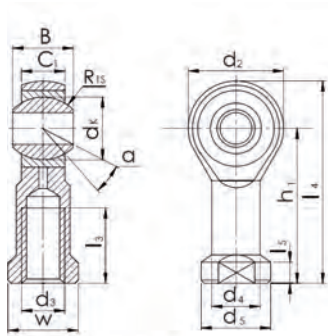
Subject	Symbol	Description
Type	SI	Rod end, right-hand thread.
	SIL	Rod end, left-hand thread.
	SA	Rod end, right-hand thread.
	SAL	Rod end, left-hand thread.
Friction parts	T/K	Steel/PTFE (wrap for smaller bearings and soaked fabric for bigger bearings).
	SS/M	Acid resistant steel/brass.

Features

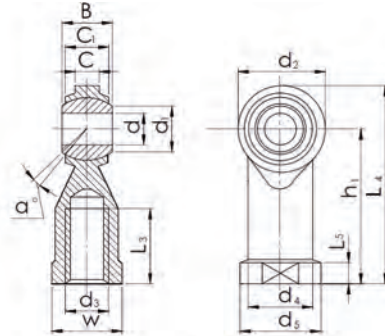
A rod end bearing is a mechanical articulating joint. Such joints are used on the ends of control rods, steering links, tie rods or anywhere a precision articulating joint is required. A ball swivel with an opening through which a bolt or other attaching hardware may pass is pressed into a circular casing with a threaded shaft attached. The threaded portion may be either male or female. Rod ends has spherical plain bearing inserted.

Designation

Rod ends with built-in plain bearings are ready to mount parts and can be quickly and easily fixed to the interacting machine elements. The wide variety of engineering solutions are based on the one hand on implementing various plain bearings (various materials of friction parts) and on the other hand on various assembly options (internal or external threads, right or left hand threads) enable lots of construction solutions. Standard make (TK) bases on the friction pair steel/PTFE . For heavy duty operation SS/M rod ends are most suitable, where special acid resistant steel and brass constitute the friction part.



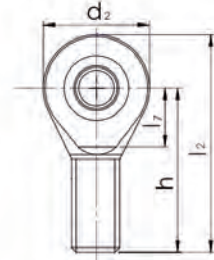
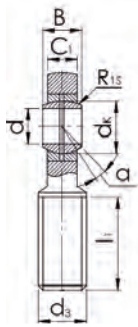
SI(T)



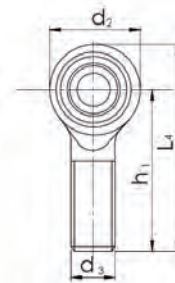
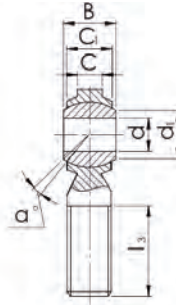
SI(P)

ISO	Dimensions (mm)														Basic Load Rating (N)		Weight (kg)	
	d	D	B	d3	C1	l3	W	h1	l4	l5	d4	d5	dK	R1s	a	Dyn. C		Stat. C ₀
				6H														
SI/SIL5 T/K	5	18	8	M5x0,8	6	10	9	27	36	4	8,5	11	11,1	0,3	13	5700	6000	0,016
SI/SIL6 T/K	6	20	9	M6x1,0	6,75	12	11	30	40	5	10	13	12,7	0,3	13	7200	7650	0,022
SI/SIL8 T/K	8	24	12	M8x1,25	9	16	14	36	48	5	12,5	16	15,875	0,3	14	11600	12900	0,047
SI/SIL10 T/K	10	28	14	M10x1,5	10,5	20	17	43	57	6,5	15	19	19,05	0,3	13	14500	18000	0,077
SI/SIL10-1 T/K	10	28	14	M10x1,25	10,5	20	17	43	57	6,5	15	19	19,05	0,3	13	14500	18000	0,077
SI/SIL12 T/K	12	32	16	M12x1,75	12	22	19	50	66	6,5	17,5	22	22,225	0,3	13	17000	24000	0,100
SI/SIL12-1 T/K	12	32	16	M12x1,25	12	22	19	50	66	6,5	17,5	22	22,225	0,3	13	17000	24000	0,100
SI/SIL14 T/K	14	36	19	M14x2,0	13,5	25	22	57	75	8	20	25	25,4	0,3	16	24000	31000	0,160
SI/SIL14-1 T/K	14	36	19	M14x1,5	13,5	25	22	57	75	8	20	25	25,4	0,3	16	24000	31000	0,160
SI/SIL16 T/K	16	42	21	M16x2,0	15	28	22	64	85	8	22	27	28,575	0,3	15	28500	39000	0,220
SI/SIL16-1 T/K	16	42	21	M16x1,5	15	28	22	64	85	8	22	27	28,575	0,3	15	28500	39000	0,220
SI/SIL18 T/K	18	44	23	M18x1,5	16,5	32	27	71	93	10	25	31	31,75	0,6	15	42500	47500	0,320
SI/SIL20 T/K	20	50	25	M20x1,5	18	33	30	77	102	10	27,5	34	34,925	0,6	14	42500	57000	0,420
SI/SIL22 T/K	22	54	28	M22x1,5	20	37	32	84	111	12	30	38	38,1	0,6	15	57000	68000	0,540
SI/SIL25 T/K	25	60	31	M24x2,0	22	42	36	94	124	12	33,5	42	42,86	0,3	15	68000	85000	0,720
SI/SIL28 T/K	28	66	35	M27x2,0	24	51	41	103	136	14	37	46	47,63	0,6	15	86000	107000	0,820
SI/SIL30 T/K	30	70	37	M30x2,0	25	51	41	110	145	15	40	50	50,8	0,6	17	88000	114000	1,100
SI/SIL30-1 T/K	30	70	37	M27x2,0	25	51	41	110	145	15	40	50	50,8	0,6	17	88000	114000	1,100
SI/SIL35 T/K	35	81	43	M36x2,0	28	56	50	125	16-5,5	17	46	58	57,15	0,6	16	94000	118000	1,600
SI/SIL40 T/K	40	91	49	M42x2,0	33	60	55	142	187,5	19	53	65	66,67	0,6	16	100000	120000	2,400
SI/SIL50 T/K	50	117	60	M48x2,0	45	65	65	160	21-8,5	23	65	75	82,5	0,6	12	112000	125000	5,000

ISO	Dimensions (mm)														Basic Load Rating (N)		Weight (kg)
	d	D	B	d1	d3	C1	L3	W	h1	L4	l5	d4	d5	a	Dyn. C	Stat. C ₀	
					7H												
SI/SIL5 P/K	5	19	8	7,7	M5x0,8	6	10	9	27	36,5	4	9	11	12	5700	6000	0,0180
SI/SIL6 P/K	6	21	9	8,9	M6x1,0	6,7	12	11	30	40,5	5	10	13	11	7200	7650	0,0260
SI/SIL8 P/K	8	25	12	10,3	M8x1,25	9	16	14	36	48,5	5	12,5	16	12	11600	12900	0,0470
SI/SIL10 P/K	10	29	14	12,9	M10x1,5	11	20	17	43	57,5	6,5	15	19	12	14500	18000	0,0770
SI/SIL10-1 P/K	10	29	14	12,9	M10x1,25	11	20	17	43	57,5	6,5	15	19	12	14500	18000	0,0770
SI/SIL12 P/K	12	33	16	15,4	M12x1,75	12	22	19	50	66,5	6,5	17,5	22	13	17000	24000	0,1000
SI/SIL12-1 P/K	12	33	16	15,4	M12x1,25	12	22	19	50	66,5	6,5	17,5	22	13	17000	24000	0,1000
SI/SIL14 P/K	14	37	19	16,8	M14x2,0	14	25	22	57	75,5	8	20	25	14	24000	31000	0,1600
SI/SIL16 P/K	16	43	21	19,3	M16x2,0	15	28	22	64	85,5	8	22	27	14	28500	39000	0,2200
SI/SIL16-1 P/K	16	43	21	19,3	M16x1,5	15	28	22	64	85,5	8	22	27	14	28500	39000	0,2200
SI/SIL18 P/K	18	47	23	21,8	M18x1,5	17	32	27	71	94,5	10	25	31	14	42500	47500	0,3200
SI/SIL20 P/K	20	51	25	24,3	M20x1,5	18	33	30	77	102,5	10	27,5	34	14	42500	57000	0,4200
SI/SIL22 P/K	22	55	28	25,8	M22x1,5	20	37	32	84	111,5	12	30	38	15	57000	68000	0,5400
SI/SIL25 P/K	25	61	31	29,5	M24x2,0	22	42	36	94	124,5	12	33,5	42	15	68000	85000	0,7200



SA(T)



SA(P)

ISO	Dimensions (mm)													Basic Load Rating (N)		Weight (kg)
	d	D	B	d3	C1	l1	l7	h	l2	dK	R1s	a	Dyn. C	Stat. C ₀		
						min	min									
SA/SAL5 T/K	5	18	8	M5x0,8	6	19	-	33	42	11.11	0.3	13	5.7	6	0.0130	
SA/SAL6 T/K	6	20	9	M6x1,0	6.75	21	-	36	46	12.7	0.3	13	7.2	7.65	0.0200	
SA/SAL8 T/K	8	24	12	M8x1,25	9	25	-	42	54	15.875	0.3	14	11.6	12.9	0.0380	
SA/SAL10 T/K	10	28	14	M10x1,5	10.5	28	-	48	62	19.05	0.3	13	14.5	18	0.0550	
SA/SAL12 T/K	12	32	16	M12x1,75	12	32	-	54	70	22.225	0.3	13	17	24	0.0850	
SA/SAL12-1 T/K	12	32	16	M12x1,25	12	32	-	54	70	22.225	0.3	13	17	24	0.0850	
SA/SAL14 T/K	14	36	19	M14x2,0	13.5	36	18	60	78	25.4	0.3	16	24	31	0.1400	
SA/SAL16 T/K	16	42	21	M16x2,0	15	37	21	66	87	28.575	0.3	15	28.5	39	0.2100	
SA/SAL16-1 T/K	16	42	21	M16x1,5	15	37	21	66	87	28.575	0.3	15	28.5	39	0.2100	
SA/SAL18 T/K	18	44	23	M18x1,5	16.5	41	22	72	94	31.75	0.3	15	42.5	47.5	0.2800	
SA/SAL20 T/K	20	50	25	M20x1,5	18	45	25	78	103	34.925	0.3	14	42.5	57	0.3800	
SA/SAL22 T/K	22	54	28	M22x1,5	20	48	27	84	111	38.1	0.3	15	57	68	0.4800	
SA/SAL25 T/K	25	60	31	M24x2,0	22	55	30	94	124	42.86	0.3	15	68	85	0.6400	
SA/SAL28 T/K	28	66	35	M27x2,0	24	62	33	103	136	47.63	0.3	15	86	107	0.8000	
SA/SAL30 T/K	30	70	37	M30x2,0	25	66	35	110	145	50.8	0.3	17	88	114	1.1000	
SA/SAL35 T/K	35	81	43	M36x2,0	28	85	40	140	180.5	57.15	0.3	16	-	-	1.6400	
SA/SAL40 T/K	40	91	49	M42x2,0	33	90	45	150	195.5	66.67	0.3	17	-	-	2.3000	
SA/SAL50 T/K	50	117	60	M48x2,0	45	105	58	185	243.5	82.5	0.3	12	-	-	4.8000	

ISO	Dimensions mm											Basic Load Rating (N)		Weight (kg)
	d	D	B	d1	d3	C	C2	h1	L4	l3	a	Dyn. C	Stat. C ₀	
SA/SAL5 P/K	5	19	8	7.7	M5x0,8	6	2.9	33	42.5	20	12	5700	6000	0.014
SA/SAL6 P/K	6	21	9	8.9	M6x1,0	6.7	2.9	36	46.5	22	11	7200	7650	0.020
SA/SAL8 P/K	8	25	12	10.3	M8x1,25	9	4.5	42	54.5	25	12	11600	12900	0.038
SA/SAL10 P/K	10	29	14	12.9	M10x1,5	11	4.5	48	62.5	29	12	14500	18000	0.055
SA/SAL12 P/K	12	33	16	15.4	M12x1,75	12	6	54	70.5	33	13	17000	24000	0.085
SA/SAL14 P/K	14	37	19	16.8	M14x2,0	14	6.5	60	78.5	36	14	24000	31000	0.140
SA/SAL16 P/K	16	43	21	19.3	M16x2,0	15	7	66	87.5	40	14	28500	39000	0.210
SA/SAL18 P/K	18	47	23	21.8	M18x1,5	17	7	72	95.5	44	14	42500	47500	0.280
SA/SAL20 P/K	20	51	25	24.3	M20x1,5	18	8	78	103.5	47	14	42500	57000	0.380
SA/SAL22 P/K	22	55	28	25.8	M22x1,5	20	8.8	84	111.5	50	15	57000	68000	0.480
SA/SAL25 P/K	25	61	31	29.5	M24x2,0	22	11	94	124.5	57	15	68000	85000	0.640



Subject	Symbol	Description
Type	H	Adapter sleeve dimensions in accordance with ISO standard, basic design.
	HE	Adapter sleeve dimensions in accordance with ISO standard, except the bore, in 1/4 in.
	AH	Withdrawal sleeve dimensions in accordance with ISO standard, basic design.
	AOH	Withdrawal sleeve dimensions in accordance with ISO standard, prepared for oil injection.

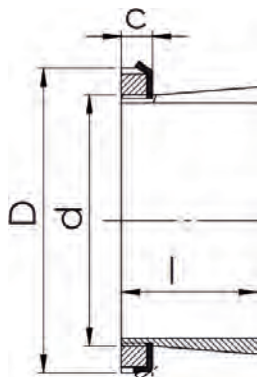
Features

Adapter sleeves are the most commonly used components for locating bearings with a tapered bore into a cylindrical shafts seating. They are easily to mount, and require no additional location on the shafts. CRAFT bearings adapter sleeves are produced from high-quality steel, have a very precise form, and an excellent price/performance factors ratio. CRAFT bearings adapter sleeves are made as complete product, with lock nut and locking washer.

CRAFT bearings supplies metric adapter sleeves, series designations H. The dimensions are in accordance with ISO 2982-1:1995.

Adapter sleeves consist of three elements: the actual sleeve, toothed washer MB. (for large sleeves lock washer of MS-type) and lock nut of KM or HM-type. The adapter number denotes the complete assembly of adapter sleeve, locknut and lockwasher.

As the name implies, adapter sleeves adapt themselves to the shaft diameter, so that wider diameter tolerances can be permitted than for the seat of a bearing with a cylindrical bore. However, the form tolerances must be kept within narrow limits as the accuracy of form directly affects the running accuracy of the bearing.



Adapter Sleeve	Dimensions (mm)					Shaft d1			Composition				Weight (kg)
	d	D	B	B2	G	HS in	HA in	HE in	Sleeve	Locknut	Lockwasher	Lockcard	
H204	20	32	24	7	M20x1	-	-	-	A204	KM4	MB04	-	0.040
H205	25	38	26	8	M25x1,5	7/8	13/16	3/4	A205	KM5	MB05	-	0.070
H206	30	45	27	8	M30x1,5	7/8	15/16	1	A206	KM6	MB06	-	0.100
H207	35	52	29	9	M35x1,5	1-1/8	1-3/16	1-1/4	A207	KM7	MB07	-	0.130
H208	40	58	31	10	M40x1,5	1-3/8	1-5/16	1-1/4	A208	KM8	MB08	-	0.170
H209	45	65	33	11	M45x1,5	1-5/8	1-7/16	1-1/2	A209	KM9	MB09	-	0.230
H210	50	70	35	12	M50x1,5	1-5/8	1-11/16	1-3/4	A210	KM10	MB10	-	0.270
H211	55	75	37	12	M55x2	1-7/8	1-15/16	2	A211	KM11	MB11	-	0.310
H212	60	80	38	13	M60x2	2-1/8	2-1/16	2-1/4	A212	KM12	MB12	-	0.350
H213	65	85	40	14	M65x2	2-3/8	2-3/16	2-1/4	A213	KM13	MB13	-	0.400
H214	70	92	41	14	M70x2	-	-	-	A214	KM14	MB14	-	0.600
H215	75	98	43	15	M75x2	2-5/8	2-7/16	2-1/2	A215	KM15	MB15	-	0.710
H216	80	105	46	17	M80x2	2-7/8	2-11/16	2-3/4	A216	KM16	MB16	-	0.880
H217	85	110	50	18	M85x2	-	2-15/16	3	A217	KM17	MB17	-	1.020
H218	90	120	52	18	M90x2	3-1/8	3-3/16	3-1/4	A218	KM18	MB18	-	1.200
H219	95	125	55	19	M95x2	-	3-5/16	3-1/4	A219	KM19	MB19	-	1.350
H220	100	130	58	20	M100x2	-	3-7/16	3-1/2	A220	KM20	MB20	-	1.500
H221	105	140	60	20	M105x2	-	-	-	A221	KM21	MB21	-	1.700
H222	110	145	63	21	M110x2	-	3-15/16	4	A222	KM22	MB22	-	1.900
H304	20	32	28	7	M20x1	-	-	-	A304	KM4	MB04	-	0.045
H305	25	38	29	8	M25x1,5	7/8	13/16	3/4	A305	KM5	MB05	-	0.075
H306	30	45	31	8	M30x1,5	7/8	15/16	1	A306	KM6	MB06	-	0.110
H307	35	52	35	9	M35x1,5	1-1/8	1-3/16	1-1/4	A307	KM7	MB07	-	0.140
H308	40	58	36	10	M40x1,5	1-3/8	1-5/16	1-1/4	A308	KM8	MB08	-	0.190
H309	45	65	39	11	M45x1,5	1-5/8	1-7/16	1-1/2	A309	KM9	MB09	-	0.250
H310	50	70	42	12	M50x1,5	1-5/8	1-11/16	1-3/4	A310	KM10	MB10	-	0.300
H311	55	75	45	12	M55x2	1-7/8	1-15/16	2	A311	KM11	MB11	-	0.350
H312	60	80	47	13	M60x2	2-1/8	2-1/16	2-1/4	A312	KM12	MB12	-	0.390
H313	65	85	50	14	M65x2	2-3/8	2-3/16	2-1/4	A313	KM13	MB13	-	0.460
H314	70	92	52	14	M70x2	-	-	-	A314	KM14	MB14	-	0.720
H315	75	98	55	15	M75x2	2-5/8	2-7/16	2-1/2	A315	KM15	MB15	-	0.830
H316	80	105	59	17	M80x2	2-7/8	2-11/16	2-3/4	A316	KM16	MB16	-	1.000
H317	85	110	63	18	M85x2	-	2-15/16	3	A317	KM17	MB17	-	1.200
H318	90	120	65	18	M90x2	3-1/8	3-3/16	3-1/4	A318	KM18	MB18	-	1.350
H319	95	125	68	19	M95x2	-	3-5/16	3-1/4	A319	KM19	MB19	-	1.550
H320	100	130	71	20	M100x2	-	3-7/16	3-1/2	A320	KM20	MB20	-	1.700
H321	105	140	74	20	M105x2	-	-	-	A321	KM21	MB21	-	1.950
H322	110	145	77	21	M110x2	-	3-15/16	4	A322	KM22	MB22	-	2.200
H2304	20	32	31	7	M20x1	17	-	-	A2304	KM04	MB04	-	0.049
H2305	25	38	35	8	M25x1,5	20	3/4	7/8	A2305	KM05	MB05	-	0.087
H2306	30	45	38	8	M30x1,5	25	1	7/8	A2306	KM06	MB06	-	0.126
H2307	35	52	43	9	M35x1,5	30	1-1/4	1-1/8	A2307	KM07	MB07	-	0.170
H2308	40	58	46	10	M40x1,5	35	1-1/4	1-3/8	A2308	KM08	MB08	-	0.224

Adapter Sleeve	Dimensions (mm)					Shaft d1			Composition				Weight (kg)
	d	D	B	B2	G	HS in	HA in	HE in	Sleeve	Locknut	Lockwasher	Lockcard	
H2309	45	65	50	11	M45x1,5	40	1-1/2	1-5/8	A2309	KM09	MB09	-	0.280
H2310	50	70	55	12	M50x1,5	45	1-3/4	1-5/8	A2310	KM10	MB10	-	0.362
H2311	55	75	59	12	M55x2	50	2	1-7/8	A2311	KM11	MB11	-	0.420
H2312	60	80	62	13	M60x2	55	2-1/4	2-1/8	A2312	KM12	MB12	-	0.481
H2313	65	85	65	14	M65x2	60	2-1/4	2-3/8	A2313	KM13	MB13	-	0.557
H2314	70	92	68	14	M70x2	60	-	-	A2314	KM14	MB14	-	0.900
H2315	75	98	73	15	M75x2	65	2-1/2	2-5/8	A2315	KM15	MB15	-	1.050
H2316	80	105	78	17	M80x2	70	2-3/4	2-7/8	A2316	KM16	MB16	-	1.280
H2317	85	110	82	18	M85x2	75	3	-	A2317	KM17	MB17	-	1.450
H2318	90	120	86	18	M90x2	80	3-1/4	3-1/8	A2318	KM18	MB18	-	1.690
H2319	95	125	90	19	M95x2	85	3-1/4	-	A2319	KM19	MB19	-	1.920
H2320	100	130	97	20	M100x2	90	3-1/2	-	A2320	KM20	MB20	-	2.150
H2321	105	140	101	20	M105x2	95	-	-	A2321	KM21	MB21	-	2.460
H2322	110	145	105	21	M110x2	100	4	-	A2322	KM22	MB22	-	2.750
H2324	120	155	112	22	M120x2	110	4-1/4	-	A2324	KM24	MB24	-	3.200
H2326	130	165	121	23	M130x2	115	4-1/2	-	A2326	KM26	MB26	-	4.600
H2328	140	180	131	24	M140x2	125	5	4-13/16	A2328	KM28	MB28	-	5.550
H2330	150	195	139	26	M150x2	135	5-1/4	-	A2330	KM30	MB30	-	6.630
H2332	160	210	147	28	M160x2	140	5-1/2	-	A2332	KM32	MB32	-	9.150
H2334	170	220	154	29	M170x2	150	6	-	A2334	KM34	MB34	-	10.20
H2336	180	230	161	30	M180x2	160	6-1/2	-	A2336	KM36	MB36	-	11.30
H2338	190	240	169	31	M190x2	170	6-3/4	-	A2338	KM38	MB38	-	12.60
H2340	200	250	176	32	M200x2	180	7	-	A2340	KM40	MB40	-	14.00
H2344	220	280	186	44	T220x4	200	-	-	A2344	HM44	-	MS44	16.70
H2348	240	300	199	46	T240x4	220	-	-	A2348	HM48	-	MS48	29.70
H2352	260	330	211	49	T260x4	240	-	-	A2352	HM52	-	MS52	24.20
H2356	280	350	224	51	T280x4	260	-	-	A2356	HM56	-	MS56	27.80
H3024	120	145	72	22	M120x2	110	4-1/4	4-3/16	A3024	KML24	MBL24	-	1.950
H3026	130	155	80	23	M130x2	115	4-1/2	4-7/16	A3026	KML26	MBL26	-	2.850
H3028	140	165	82	24	M140x2	125	5	4-15/16	A3028	KML28	MBL28	-	3.150
H3030	150	180	87	26	M150x2	135	5-1/4	5-3/16	A3030	KML30	MBL30	-	3.900
H3032	160	190	93	28	M160x3	140	5-1/2	5-7/16	A3032	KML32	MBL32	-	5.200
H3034	170	200	101	29	M170x3	150	6	5-15/16	A3034	KML34	MBL34	-	6.000
H3036	180	210	109	30	M180x3	160	6-1/2	6-7/16	A3036	KML36	MBL36	-	6.850
H3038	190	220	112	31	M190x3	170	6-3/4	6-15/16	A3038	KML38	MBL38	-	7.450
H3040	200	240	120	32	M200x3	180	7	7-3/16	A3040	KML40	MBL40	-	9.200
H3044	220	260	126	41	T220x4	200	-	7-15/16	A3044	KML44	-	MSL44	10.50
H3048	240	290	133	46	T240x4	220	-	8-15/16	A3048	KML48	-	MSL48	13.00
H3052	260	310	145	46	T260x4	240	-	9-7/16	A3052	KML52	-	MSL52	15.50
H3056	280	330	152	50	T280x4	260	-	10-7/16	A3056	KML56	-	MSL56	17.50
H3060	300	360	168	54	T300x4	280	-	10-15/16	A3060	KML60	-	MSL60	23.00
H3064	320	380	171	55	T320x5	300	-	11-15/16	A3064	KML64	-	MSL64	24.50
H3068	340	400	187	58	T340x5	320	-	12-7/16	A3068	KML68	-	MSL68	28.50
H3072	360	420	188	58	T360x5	340	-	13-15/16	A3072	KML72	-	MSL72	30.50
H3076	380	450	193	62	T380x5	360	-	-	A3076	KML76	-	MSL76	36.00
H3080	400	470	210	66	T400x5	380	-	-	A3080	KML80	-	MSL80	41.50
H3084	420	490	212	66	T420x5	400	-	-	A3084	KML84	-	MSL84	43.50
H3088	440	520	228	77	T440x5	410	-	-	A3088	KML88	-	MSL88	65.20
H3092	460	540	234	77	T460x5	430	-	-	A3092	KML92	-	MSL92	69.50
H3096	480	560	237	77	T480x5	450	-	-	A3096	KML96	-	MSL96	73.50
H3120	100	130	76	20	M100x2	90	3-1/2	3-7/16	A3120	KM20	MB20	-	1.800
H3122	110	145	81	21	M110x2	100	4	3-15/16	A3122	KM22	MB22	-	2.400
H3124	120	155	88	22	M120x2	110	4-1/4	4-3/16	A3124	KM24	MB24	-	2.650
H3126	130	165	92	23	M130x2	115	4-1/2	4-7/16	A3126	KM26	MB26	-	3.650
H3128	140	180	97	24	M140x2	125	5	4-15/16	A3128	KM28	MB28	-	4.350
H3130	150	195	111	26	M150x2	135	5-1/4	5-3/16	A3130	KM30	MB30	-	5.500
H3132	160	210	119	28	M160x3	140	5-1/2	5-7/16	A3132	KM32	MB32	-	7.650
H3134	170	220	122	29	M170x3	150	6	5-15/16	A3134	KM34	MB34	-	8.400
H3136	180	230	131	30	M180x3	160	6-1/2	6-7/16	A3136	KM36	MB36	-	9.500

Adapter Sleeve	Dimensions (mm)					Shaft d1			Composition				Weight (kg)
	d	D	B	B2	G	HS in	HA in	HE in	Sleeve	Locknut	Lockwasher	Lockcard	
H3138	190	240	141	31	M190x3	170	6-3/4	6-15/16	A3138	KM38	MB38	-	11.00
H3140	200	250	150	32	M200x3	180	7	7-3/16	A3140	KM40	MB40	-	12.00
H3144	220	280	161	44	T220x4	200	-	7-15/16	A3144	KM44	-	MS44	15.00
H3148	240	300	172	46	T240x4	220	-	-	A3148	KM48	-	MS48	18.00
H3152	260	330	190	49	T260x4	240	-	-	A3152	KM52	-	MS52	22.50
H3156	280	350	195	51	T280x4	260	-	-	A3156	KM56	-	MS56	25.00
H3160	300	380	20	53	T300x4	280	-	-	A3160	KM60	-	MS60	30.00
H3164	320	400	226	56	T320x5	300	-	-	A3164	KM64	-	MS64	35.00



Features

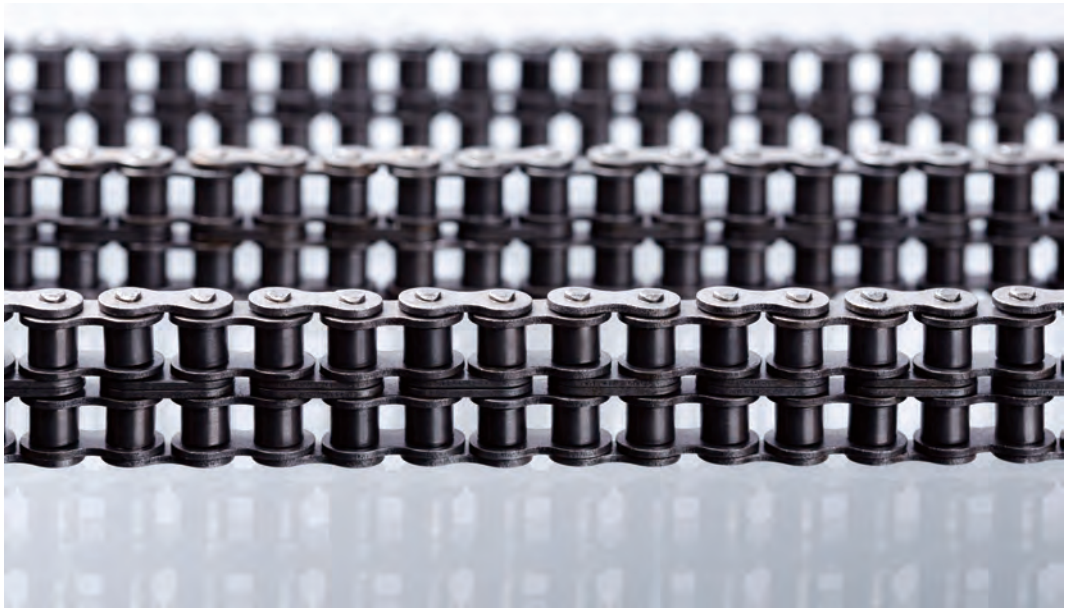
Bearings manufactured according to GOST (ГОСТ) standard which refers to a set of technical standards maintained by the Euro-Asian Council for Standardization, Metrology and Certification (EASC), a regional standards organization operating under the auspices of the Commonwealth of Independent States (CIS). GOST bearings are commonly used in Russian and other CIS countries.

CRAFT	GOST	Dimensions (mm)			Basic Load Rating (N)		Weight (kg)
		d	D	B	Dyn. C	Stat. C ₀	
380706	380706	30	85	23/35	25.0	20.4	0.700
380707	380707	35	85	23/36	25.0	24	0.700
380708	380708	40	85	23/39	25.0	20.4	0.800
580204	580204	20	47	14	9.8	6.55	0.108
580205	580205	25	52	15	10.8	8	0.123
580306	580306	30	72	19	19.6	15.3	1.100
680210	680210	50	100	25/45	33.5	29	1.870
680314	680314	70	150	39//70	90	68	3.870
1580205	1580205	25.00	52.00	16.00	10.8	8	0.100
1580206	1580206	30.00	62.00	18.00	15.0	11.2	0.200
1580207	1580207	35.00	72.00	20.00	19.6	15.3	0.316
1580209	1580209	45.00	85.00	21.00	25.0	20.4	0.452
1580211	1580211	55.00	100.00	23.00	33.5	29	0.640
1680204	1680204	20.00	52.00	16/29	10.8	8	0.231
1680205	1680205	25.00	62.00	18/31	15.0	11.2	0.340
1680206	1680206	30.00	72.00	20/35	19.6	15.3	0.480
1680207	1680207	35.00	80.00	21/36	22.4	18	0.610
1680208	1680208	40.00	85.00	21/39	25.0	20.4	0.655
776900X	776900X	11.6	39	29	11000	7000	0.150
776900XK2	776900XK2	11.6	46.03	29	11000	7000	0.160
776701XY	776701XY	12	49.4	40	21000	13900	0.337
776702X	776702X	12.75	57.5	48	21000	13900	0.620
776801X	776801X	12.75	51.56	38	21000	13900	0.334
348702K2	348702K2	14.5	52	14	12000	25400	0.180
820702AK8	820702AK8	15	37.65	13.5	7800	3750	0.046
356803E	356803E	17	40	25	13100	7100	0.132
356803E1	356803E1	17	66	25	20700	16200	0.335
156704E1	156704E1	20	50	20.6	17400	15200	0.196
916904E	916904E	20	62	17	26900	14600	0.210
930904AE1	930904AE1	21.5	37	11.5	6550	3040	0.270
126805E	126805E	25	62	17	44000	31500	0.250
746905	746905	26	44	21	26000	2300	0.100
866706E	866706E	28	72	27	53000	41000	0.448
996905E1	996905E1	28	47	13.15	10400	6700	0.080
996805E1	996805E1	28	50	20.15	10400	6700	0.150
706Y	706Y	30	42	7	4150	3300	0.026
7690906	7690906	30	47	8	7000	4500	0.042
808/32A	808/32A	32	66	16	15900	10300	0.230
3207BN	3056207K	35	72	27	40000	32800	0.445
830700AE2	830700AE2	10.1	55	27	11900	6400	0.216
830700AE	830700AE	10.1	55	32.4	11900	6400	0.218
830700AKE	830700AKE	10.1	71	23	11900	6400	0.210
830700AK2E	830700AK2E	10.1	71	26	11900	6400	0.240
830900AE2	830900AE2	10.1	55	27	11900	6400	0.227
830700AE3	830700AE3	10.1	55	30	11900	6400	0.231
830900AE1	830900AE1	10.1	55	32.4	11900	6400	0.211
830900AKE	830900AKE	10.1	60.3	23	11900	6400	0.208
830900AK1E	830900AK1E	10.1	71	26	11900	6400	0.241
256801 E1	256801 E1	12	82	26.7	14700	13100	0.260
256801E	256801E	12	82	30	14700	13100	0.253
830701A	830701A	12	82	18	9650	4150	0.107
180902AK	180902AK	16	35	14	7800	3550	0.055
HB 4366	330802E	16	30	39/92	13000	5400	0.210
HB 4388	330902E	16	30	39/115	10060	5400	0.260
20703 A	20703 A	17	40	14	9500	4750	0.073
20803 A	20803 A	17	47	15.5	13400	6550	0.140
830803AK4	830803AK4	17	64	28	9560	4500	0.108
830803AK3	830803AK3	17	78	28	9560	4500	0.114
7804Y	7804Y	19.058	42.25	16.637	28000	28500	0.130

CRAFT	GOST	Dimensions (mm)			Basic Load Rating (N)		Weight (kg)
		d	D	B	Dyn. C	Stat. C ₀	
256705E1	256705E1	25	55	22	14700	13100	0.277
256605E1	256605E1	25	55	28	14700	13100	0.294
256805E	256805E	25	52	23	14700	13100	0.192
256905E	256905E	25	55	30	14700	13100	0.256
6305N	50305Y	25	62	17	22400	11400	0.232
6305 2RSN	750305	25	62	17	22400	11400	0.240
7805Y	7805Y	26	57,15	17,462	26000	33500	0.230
830700AK3E	830700AK3E	27,4	71	25	21100	12500	0.175
256906E	256906E	28	58	42	16100	11600	0.459
7705Y	7705Y	28	67	20,5	44600	43000	0.370
256706E1	256706E1	30	60	37	36500	25100	0.407
6306N	50306Y	30	72	19	29000	16300	0.340
6306 2RSN	750306	30	72	19	29000	16300	0.350
50706Y	50706Y	30	75	19	33000	17850	0.380
750706Y	750706Y	30	75	19	33000	17850	0.400
520806K1Y	520806K1Y	31	55	19	8640	5940	0.132
7707Y	7707Y	33	62	16	72100	73050	0.211
956900KE1	956900KE1	33,05	52	20,6	21161	12539	0.380
956900E1	956900E1	33,05	62,17	40	21100	12500	0.430
256907A1E7	256907A1E7	34	64	37	35000	27800	0.427
7807Y	7807Y	34,938	73,03	26,987	66000	78000	0.540
256807E13	256807E13	35	64	37	40000	35000	0.571
256707AK1E12	256707AK1E12	35	68	37	40000	32000	0.550
256908A1E7	256908A1E7	35	68	37	48100	41000	0.578
520907AE	520907AE	37	62	21	15900	8500	0.153
520907A1E	520907A1E	37	62	20,6	16300	10400	0.153
256908AE7	256908AE7	37	72	37	48100	41000	0.578
256808AE	256808AE	40	74,048	40	43840	39280	0.659
256708E	256708E	42	75	37	45400	42500	0.630
280114A	280114A	70	110	28	39000	31500	0.681
280714A1	280714A1	70	110	31	39000	31500	0.702

CRAFT	GOST	Dimensions (mm)			Weight (kg)
		d	D	B	
1180304	1180304	20	52	18	0.170
1180305	1180305	25	62	21	0.280
160703	160703	17	62	20	0.306
29908K1	29908K1	38,4	72,90	21,34	0.393
98206	98206	30,2	53	16	0.138
170314M	170314Л	70	150	35	3.150
170412M	170412Л	60	150	35	3.470
66412M	66412Л	60	150	35	3.370
108804	108804	20	37	11	0.047
108710	108710	50	80,5	22,8	0.414
108810	108810	50	97,50	32	1.033
180707	180707	35	80	23	0.457
127509AK	127509AK	45	85	24,75	0.577
Y-27911A	Y-27911A	53,975	123,825	39,5	2.230
Y-807813A	Y-807813A	65	110	30,5	1.100
70-592708M1	70-592708M1	40	77,50	23	0.511
6-12115EM	6-12115EM	75	115	20	0.640
7809A	7809A	45	90	38,25	1.140
7909A	7909A	47	100	42,75	1.560
6-7815A	6-7815A	75	135	44,50	2.720
7718	7718	90	160	49,5	4.112
97516A	97516A	80	140	79,625	4.574

CRAFT	GOST	Dimensions (mm)			Weight (kg)
		d	D	B	
530206K1	530206K1	30	62	16/24	0.265
3086313	3086313	65	140	58,7	3.990
954712K1	954712K1	60	120	58/60	2.940
6-137205A	6-137205A	25	52	16,25	0.155
962712XC17	962712XC17	60	109	25	1.065
962715XC17	962715XC17	75	129	30	1.700
6-102409	6-102409	45	120	29	1.770
42415M	42415Л	75	190	45	10.000
57707AY	57707AY	35	80	57	1.230
264706	264706	29.96	43.98	33	0.144
664913E	664913E	62	70	31	0.090
664916E	664916E	81	92	42,5	0.208
664706	664706	30	42	113/59	0.681
3KK20*26*34E	3KK20*26*34E	20	26	34	0.023
3KK30*35*46E	3KK30*35*46E	30	35	46	0.027
3KK42*47*30E	3KK42*47*30E	42	47	30	0.034
K55*63*20E	K55*63*20E	55	63	20	0.046
3KK72*82*45E	3KK72*82*45E	72	82	45	0.405
K80*88*30E	K80*88*30E	80	88	30	0.220
464904E	464904E	19.3	25.3	19.8	0.015
6-92705AE1	6-92705AE1	25	55	18	0.213



Subject	Symbol	Description
Series	A	Short pitch precision roller chain
	B	Bigger dimensions than A series
Link	CL	Connecting link
	OL	Offsetting link

Features

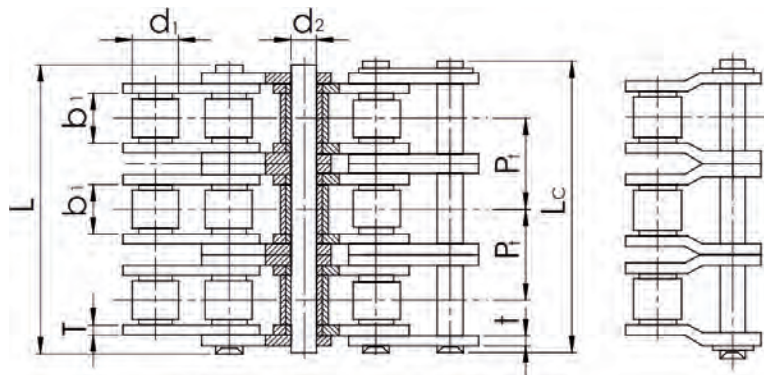
Roller chain is made up of roller links and pin links. Roller link consists of two bushings press-fitted into roller link plates with two free rotating rollers over the bushings. Pin link consists of two pin link plates into which two pins are press-fitted.

Standard roller chain is broadly used in power transmission applications, ranging from general industrial applications to operation in specialized areas, such as food processing, heavy construction equipment, or even demanding oil field service. Single and multiple standard roller chains are available in many sizes.



ISO	GOST	P (mm)	d1 max (mm)	b1 max (mm)	d2 max (mm)	t/T (mm)	h2 max (mm)	Pt (mm)	L max (mm)	Lc max (mm)	U.T.S kN	A.T.S kN	q ≈ kg/m
06A-1	ПР9,525	9.53	5.08	4.77	3.58	1.26	8.70	10.13	12.30	13.30	7.90	9.36	0.350
06A-2	2ПР9,525								22.30	23.40	15.80	18.72	0.690
06A-3	3ПР9,525								32.70	33.50	23.70	28.08	1.020
08A-1	ПР12,70	12.70	7.92	7.85	3.97	1.50	12.00	14.38	16.40	17.90	13.80	16.56	0.660
08A-2	2ПР12,70								30.80	32.30	27.60	33.12	1.300
08A-3	3ПР12,70								45.00	46.70	41.14	49.68	1.960
10A-1	ПР15,875	15.88	10.16	9.40	5.08	2.03	15.05	18.11	20.50	21.90	21.80	26.16	1.100
10A-2	2ПР15,875								38.20	40.00	43.60	52.32	2.140
10A-3	3ПР15,875								56.50	58.10	65.40	78.48	3.200
10A-4	4ПР15,875								74.50	76.10	87.20	104.64	4.350
12A-1	ПР19,05	19.05	11.91	12.57	5.94	2.42	18.00	22.78	25.48	26.70	31.10	37.32	1.530
12A-2	2ПР19,05								48.40	49.50	62.30	74.76	3.000
12A-3	3ПР19,05								71.30	73.10	93.40	112.08	4.500
12A-4	4ПР19,05								93.80	96.00	124.40	149.28	5.970
12A-5	5ПР19,05								116.60	119.00	154.00	184.80	7.440
12A-6	6ПР19,05								139.40	142.60	177.10	212.52	8.910
16A-1	ПР25,40	25.40	15.88	15.75	7.94	3.23	23.50	29.29	32.70	34.10	55.60	66.72	2.630
16A-2	2ПР25,40								61.80	63.40	111.20	133.44	5.240
16A-3	3ПР25,40								91.20	94.20	166.80	200.16	7.830
16A-4	4ПР25,40								120.80	123.50	222.40	266.88	10.42
16A-5	5ПР25,40								150.10	153.00	275.80	330.96	13.01
16A-6	6ПР25,40								179.40	182.50	317.00	380.40	15.60
20A-1	ПР31,75	31.75	19.05	18.90	9.53	4.00	30.00	35.76	40.00	43.10	86.70	104.04	4.030
20A-2	2ПР31,75								75.80	78.90	173.50	208.20	8.020
20A-3	3ПР31,75								110.00	115.30	260.20	312.24	12.00
20A-4	4ПР31,75								147.40	151.10	346.80	416.16	15.98
20A-5	5ПР31,75								183.20	187.00	430.00	516.00	19.96
20A-6	6ПР31,75								219.00	223.00	502.80	603.36	23.94
24A-1	ПР38,10	38.10	22.23	25.22	11.10	4.80	36.20	45.44	50.50	54.00	124.60	149.52	5.940
24A-2	2ПР38,10								95.94	99.40	249.10	298.92	11.84
24A-3	3ПР38,10								141.40	144.90	373.70	448.44	17.69
24A-4	4ПР38,10								186.20	189.50	498.40	598.08	23.54
24A-5	5ПР38,10								232.30	235.80	618.00	741.60	29.39
24A-6	6ПР38,10								277.70	281.20	722.70	867.24	35.24
28A-1	ПР44,45	44.45	25.40	25.22	12.70	5.60	42.00	48.87	53.50	57.80	169.00	202.80	7.500
28A-2	2ПР44,45								102.50	106.70	338.10	405.72	14.89
28A-3	3ПР44,45								151.50	155.80	507.10	608.52	22.28
28A-4	4ПР44,45								200.40	204.70	676.00	811.20	29.67
28A-5	5ПР44,45								249.30	253.50	838.20	1005.84	37.06
28A-6	6ПР44,45								298.10	302.40	980.20	1176.24	44.45
32A-1	ПР50,80	50.80	28.50	31.55	14.27	6.50	48.26	58.55	64.67	70.67	222.40	266.88	10.20
32A-2	2ПР50,80								124.02	130.02	444.80	533.76	20.25
32A-3	3ПР50,80								181.80	186.60	680.40	780.60	30.02

ISO	GOST	P (mm)	d1 max (mm)	b1 max (mm)	d2 max (mm)	t/T (mm)	h2 max (mm)	Pt (mm)	L max (mm)	Lc max (mm)	U.T.S kN	A.T.S kN	q ≈ kg/m
32A-4	4ПР50,80								241.12	247.12	889.60	1067.52	40.35
32A-5	5ПР50,80								299.67	305.67	1103.10	1323.72	50.40
32A-6	6ПР50,80								358.22	364.22	1289.90	1547.88	60.45
36A-1	ПР57,15	57.15	35.71	35.48	17.46	7.20	54.31	65.84	72.70	77.10	280.20	336.24	13.95
36A-2	2ПР57,15								138.50	142.90	560.50	672.60	27.62
36A-3	3ПР57,15								204.40	208.80	840.70	1008.84	41.29
36A-4	4ПР57,15								270.20	274.60	1120.80	1344.96	54.96
36A-5	5ПР57,15								336.00	340.40	1389.80	1667.76	68.63
36A-6	6ПР57,15								401.90	406.30	1625.20	1950.24	82.30
40A-1	ПР63,50	63.50	39.68	37.85	19.84	8.35	60.30	71.55	80.00	87.00	347.00	416.40	16.86
40A-2	2ПР63,50								151.60	158.60	693.90	832.68	33.42
40A-3	3ПР63,50								223.20	230.00	1040.90	1249.08	50.50
40A-4	4ПР63,50								294.55	301.60	1388.00	1665.60	66.54
40A-5	5ПР63,50								366.10	373.10	1721.10	2065.32	83.10
40A-6	6ПР63,50								437.65	444.70	2012.60	2415.12	99.68
48A-1	ПР76,20	76.20	47.63	47.35	23.80	10.00	72.38	87.83	99.00	106.00	500.40	600.48	24.25
48A-2	2ПР76,20								188.30	195.30	1000.80	1200.96	48.13
48A-3	3ПР76,20								276.10	283.10	1501.30	1801.56	72.01
48A-4	4ПР76,20								363.93	370.90	2001.60	2401.92	95.89
48A-5	5ПР76,20								451.76	458.80	2482.00	2978.40	119.77
48A-6	6ПР76,20								539.60	547.60	2902.30	3482.76	143.65



ISO	GOST	P (mm)	d1 max (mm)	b1 max (mm)	d2 max (mm)	t/T (mm)	h2 max (mm)	Pt (mm)	L max (mm)	Lc max (mm)	U.T.S kN	A.T.S kN	q ≈ kg/m
04B-1	ПР6,00	6.000	4.00	2.80	1.85	0.6	5.00	-	7.40	10.30	3.00	3.60	0.12
05B-1	ПР8,00	8.000	5.00	3.00	2.31	0.8	7.10	-	7.95	11.70	4.40	6.00	0.16
05B-2	2ПР8,00							5.64	13.60	14.90	7.80	7.80	0.33
06B-1	ПР9,252	9.252	6.35	5.72	3.28	1.3	8.26	-	13.15	13.50	9.00	10.80	0.41
06B-2	2ПР9,252							10.24	23.23	23.80	16.90	20.28	0.77
06B-3	3ПР9,252							10.24	33.80	34.00	24.90	29.88	1.16
08B-1	ПР12,70	12.700	8.51	7.75	4.45	1.6	11.80	-	16.85	18.20	17.80	21.60	0.69
08B-2	2ПР12,70							13.92	30.70	32.20	31.10	37.32	1.34
08B-3	3ПР12,70							13.92	44.80	46.00	44.50	55.98	2.03
10B-1	ПР15,875	15.875	10.16	9.65	5.08	1.7	14.60	-	19.50	20.50	22.20	26.88	0.94
10B-2	2ПР15,875							16.59	36.15	37.20	44.50	53.40	1.88
10B-3	3ПР15,875							16.59	52.80	53.80	66.70	80.04	2.81
12B-1	ПР19,05	19.050	12.07	11.68	5.72	1.85	16.10	-	22.45	23.40	29.00	34.80	1.21
12B-2	2ПР19,05							19.46	42.10	42.90	57.80	69.36	2.42
12B-3	3ПР19,05							19.46	61.60	62.30	86.70	104.04	3.43
16B-1	ПР25,40	25.400	15.88	17.02	8.28	3,23/4	21.00	-	35.50	36.70	60.00	72.00	2.77

ISO	GOST	P (mm)	d1 max (mm)	b1 max (mm)	d2 max (mm)	t/T (mm)	h2 max (mm)	Pt (mm)	L max (mm)	Lc max (mm)	U.T.S kN	A.T.S kN	q ≈ kg/m
16B-2	2ПР25,40							31.88	68.00	68.60	106.00	127.20	5.51
16B-3	3ПР25,40							31.88	99.50	100.50	160.00	192.00	8.25
16B-4	4ПР25,40							31.88	131.00	132.40	212.00	254.40	11.00
20B-1	ПР31,75	31.750	19.05	19.56	10.19	3,4/4,5	26.40	-	41.40	44.00	95.00	114.00	3.90
20B-2	2ПР31,75							36.45	77.50	80.60	170.00	204.00	7.70
20B-3	3ПР31,75							36.45	114.00	116.90	250.00	300.00	11.53
24B-1	ПР38,10	38.100	25.40	25.40	14.63	5/6	33.40	-	53.40	57.70	160.00	192.00	6.79
24B-2	2ПР38,10							48.36	101.80	106.10	280.00	336.00	13.40
24B-3	3ПР38,10							48.36	150.20	154.40	425.00	510.00	20.00
28B-1	ПР44,45	44.450	27.94	30.99	15.90	6,3/7,5	37.00	-	65.10	69.00	200.00	240.00	9.10
28B-2	2ПР44,45							59.56	124.66	128.60	360.00	432.00	17.95
28B-3	3ПР44,45							59.56	183.70	188.20	530.00	636.00	26.82
32B-1	ПР50,80	50.800	29.21	30.99	17.81	6,15/7,1	42.20	-	64.50	70.00	250.00	300.00	10.13
32B-2	2ПР50,80							58.55	123.15	128.50	450.00	540.00	19.25
32B-3	3ПР50,80							58.55	181.80	187.10	670.00	804.00	26.83
40B-1	ПР63,50	63.500	39.37	38.10	22.89	8/8,5	52.90	-	80.82	84.30	355.00	426.00	16.38
40B-2	2ПР63,50							72.29	154.00	156.60	630.00	756.00	32.23
40B-3	3ПР63,50							72.29	226.80	228.90	950.00	1140.00	48.10
48B-1	ПР76,20	76.200	48.26	45.72	29.24	9,5/11,8	63.88	-	99.00	105.00	560.00	672.00	24.52
48B-2	2ПР76,20							91.21	190.20	196.20	1000.00	1200.00	48.57
48B-3	3ПР76,20							91.21	281.10	287.40	1500.00	1800.00	72.60
56B-1	ПР88,90	88.900	53.98	53.34	34.32	12/13	77.50	-	116.50	122.00	850.00	1020.00	35.78
56B-2	2ПР88,90							106.60	223.10	228.60	1600.00	1920.00	71.48
56B-3	3ПР88,90							106.60	329.70	335.20	2240.00	2688.00	107.18
64B-1	ПР101,60	101.600	63.50	60.96	39.40	13/15	90.00	-	131.30	137.30	1120.00	1344.00	46.00
64B-2	2ПР101,60							119.89	251.20	257.20	2000.00	2400.00	91.00
64B-3	3ПР101,60							119.89	371.10	377.10	3000.00	3600.00	136.00
72B-1	ПР114,30	114.300	72.39	68.58	44.48	16	103.50	-	148.20	154.20	1400.00	16800.00	60.80
72B-2	2ПР114,30							136.27	284.50	290.50	2500.00	3000.00	120.40
72B-3	3ПР114,30							136.27	420.70	426.70	3750.00	4500.00	180.00

The contents of this catalog are subjected to change without prior notice. Every possible effort has been made to ensure that the data herein is correct; however, CRAFT bearings cannot assume any liability for any direct, in director consequential damages arising from the use of the information specified here.

CRF 3/19/EN

